

### Materials:

1	brass, nickel-plated
2	phosphor bronze
3	brass, nickel-plated
4	brass, nickel-plated
5	PBT, black
6	phosphor bronze, nickel-plated
7	phosphor bronze, gold-plated

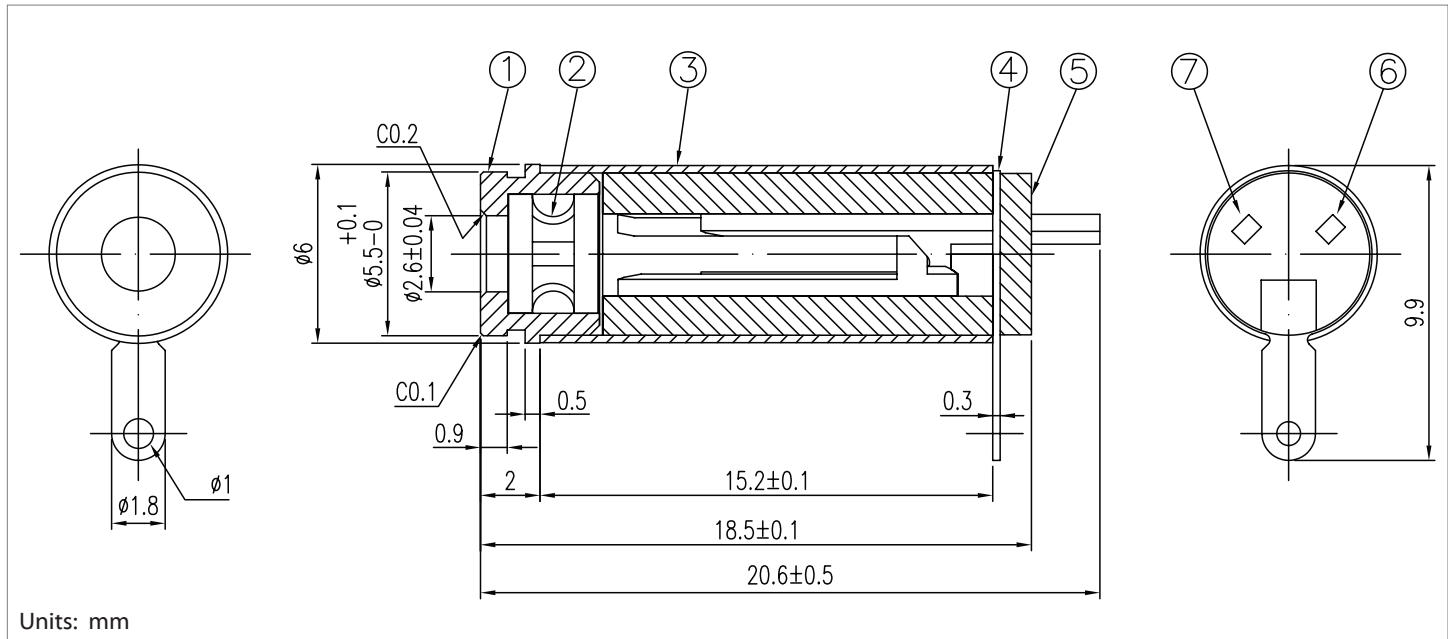
### Notes:

RoHS compliant

### Specifications:

contact resistance	30 mOhms
insulation resistance	100 Vdc/100 MOhms min.
voltage test	500 Vac/1 minute
rated current	3 A
insetion force	0.5kgf ~ 2kgf
pull force	0.4kgf ~ 2gf

### Mechanical drawing:



tolerance X:  $\pm 0.5$  mm .X:  $\pm 0.3$  mm .XX:  $\pm 0.05$  mm  
 applicable unless otherwise indicated in specification or on drawings

Initial

Date

**Revision notes:**

Rev	Date	Description
A	September 4, 2009	initial release
A1	May 21, 2012	updated materials

**Specification Approval**

Spec sign-off verifies that you have reviewed the entire specification, tested a sample of the product, and confirm that it meets your requirements. This specification reflects the part as it will be ordered. Orders will not be processed until the specification pages have been initialed and the approval page has been signed. This specification is confidential and is not to be transmitted without prior approval from Tensility.

Signature \_\_\_\_\_ Title \_\_\_\_\_

Name \_\_\_\_\_ Date \_\_\_\_\_

Company \_\_\_\_\_ Branch \_\_\_\_\_