

Materials:

1	PBT + 15% GF, black
2	brass, nickel-plated, 2µm min.
3	brass, nickel-plated, 2µm min.
4	phosphor bronze, nickel-plated, 2µm min.

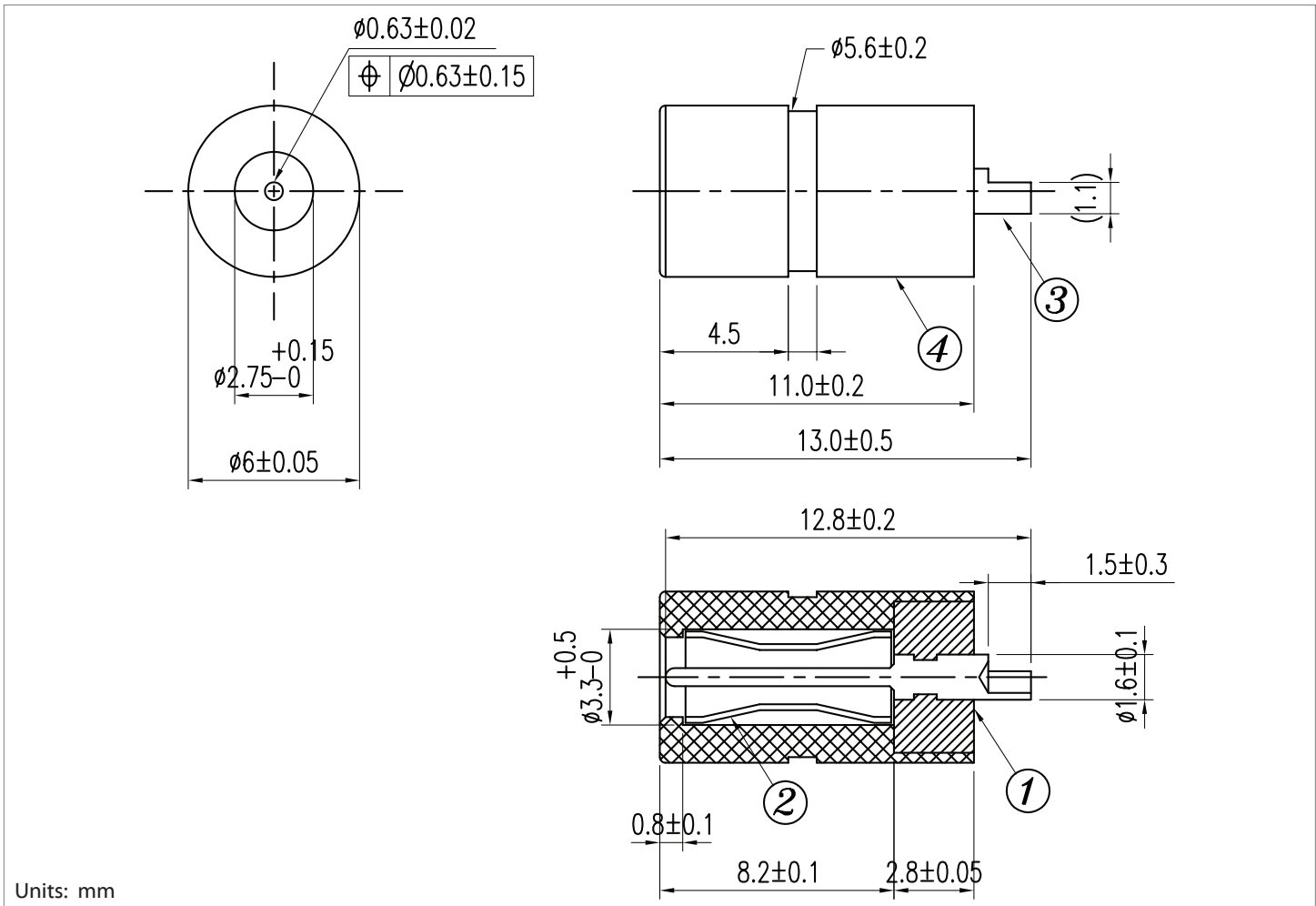
Notes:

RoHS compliant

Specifications:

dielectric strength	500 Vac @ 1 minute
insulation resistance	500 Vdc/100 MOhms min.
rated voltage	4 V
rated current	3 A

Mechanical drawing:



tolerance X: ± 0.5 mm .X: ± 0.3 mm .XX: ± 0.05 mm
 applicable unless otherwise indicated in specification or on drawings

Initial	Date
---------	------

Revision notes:

Rev	Date	Description
A	September 2, 2009	initial release
A1	December 8, 2011	updated measurements to match standard
A2	December 5, 2012	updated dimensions

Specification Approval

Spec sign-off verifies that you have reviewed the entire specification, tested a sample of the product, and confirm that it meets your requirements. This specification reflects the part as it will be ordered. Orders will not be processed until the specification pages have been initialed and the approval page has been signed. This specification is confidential and is not to be transmitted without prior approval from Tensility.

Signature _____ Title _____

Name _____ Date _____

Company _____ Branch _____