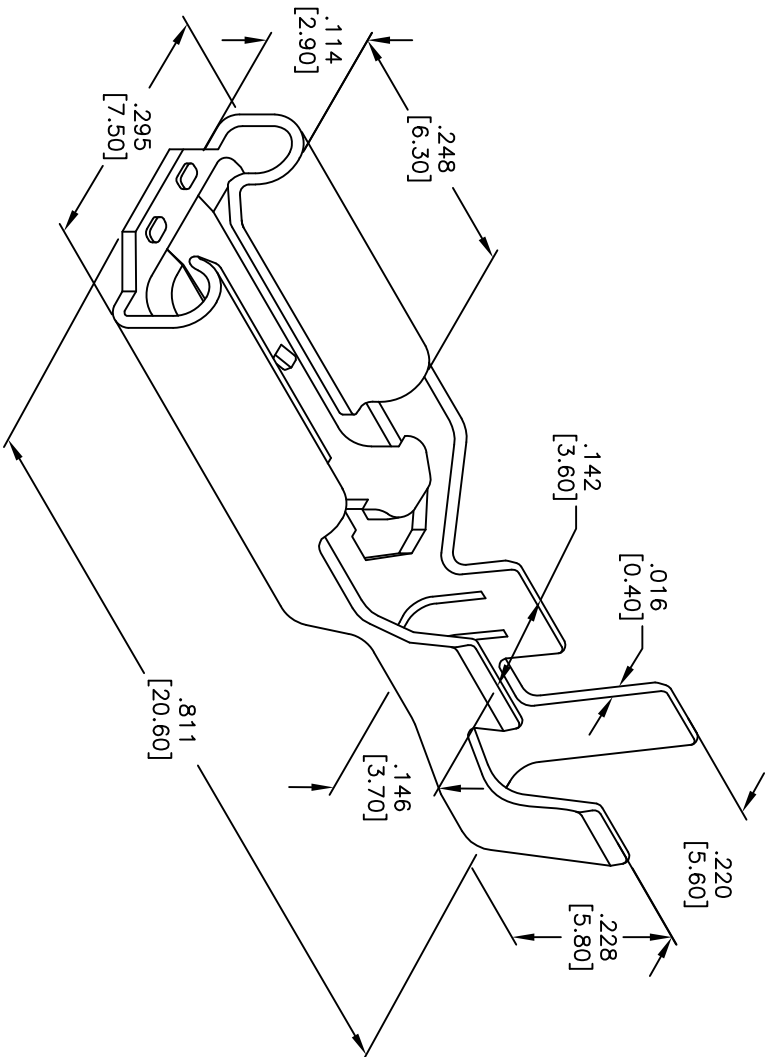


Rev	AWO #	Description	Date	Appr
-		RELEASED	11/19/10	

APPROVED: _____
 DATE: _____ TITLE: _____



SPECIFICATIONS:

Material:
 Terminal: Brass, Tin plated
 Thickness: 0.40mm
 Wire Range: AWG#14~28
Electrical:
 Voltage rating: AC 250V, DC 350V
 Current rating: AC,DC,15A
 Temperature range: -25°C to +85°C
 Environmental:
 Lead free, RoHS compliant.



UNLESS OTHERWISE SPECIFIED ALL DIMENSIONS ARE INCHES [MM]	
TOLERANCES EXCEPT AS NOTED	
INCHES	Holes
.X ± .10	ØX ± .10
.XX ± .020	ØXXX ± .015
.XXX ± .015	ØXXXX ± .010
APPROVALS	
DATE	DATE
DRAWN AY	11/19/10
CHECKED SC	11/19/10
APPROVED	

ADAM TECH
 909 Rahway Avenue, Union, NJ 07083
 Phone: 908-687-5000 Fax: 908-687-5710

TITLE: .250" QUICK DISCONNECT TERMINAL
 HALF INSULATED

SIZE	PART NO.	SCALE	SHEET	REV.
X	4QD-.250-18/14-T	NIS	1 OF 1	-

6 5 4 3 2 1