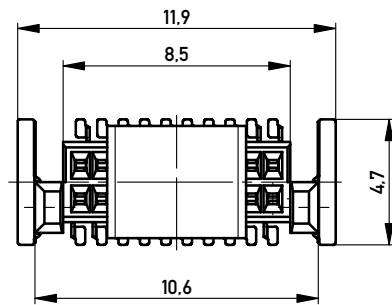
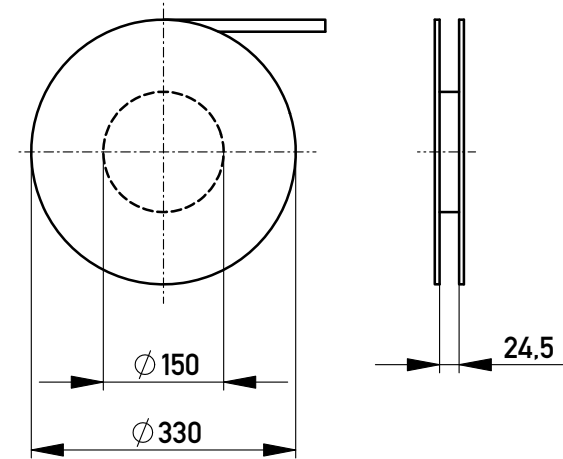
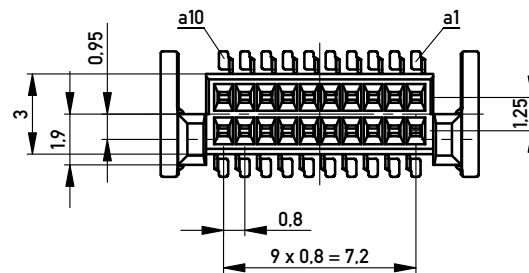


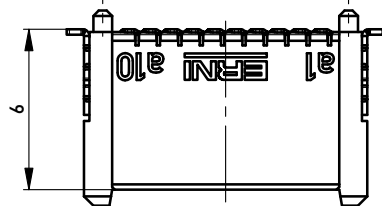
Verpackt in Gurtverpackung - *Tape on Reel Packaging*  
 Verpackungseinheit: 670 Stück - *Packaging unit: 670 pcs*



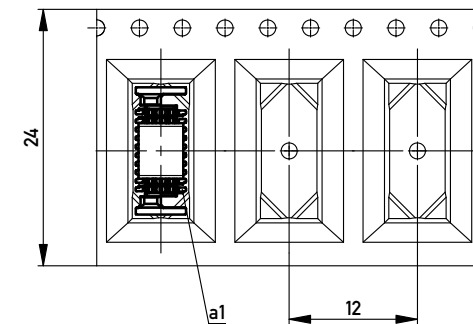
ohne Ansaughaube - *without hood*



ohne Ansaughaube - *without hood*



Abspulrichtung - *Reel off Direction* →



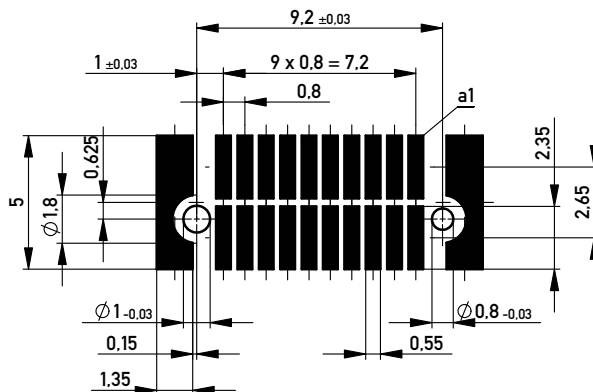
Anforderungsstufe 2  
*Performance Level 2*

Kontaktbereich vergoldet  
*Mating Area gold plating*

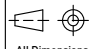
Anschlussbereich verzinkt 4-6 µm  
*Terminal Area 4-6 µm tin plating*

Koplanarität der Anschlüsse ≤ 0.1 mm  
*Coplanarity Area of Termination ≤ 0.1 mm*

Leiterplatten-Layout Vorschlag für SMT  
*PCB-Layout Proposal for SMT*



Copyright by ERNI GmbH  
 Proprietary notice pursuant to ISO 9006 to be observed.

|                                                                                                                                                                    |  |                      |                                                                                       |                                                        |     |
|--------------------------------------------------------------------------------------------------------------------------------------------------------------------|--|----------------------|---------------------------------------------------------------------------------------|--------------------------------------------------------|-----|
| Information:                                                                                                                                                       |  | Tolerances           |  | Scale                                                  | 5:1 |
| All rights reserved.<br>Only for Information.<br>To ensure that this is the latest version of this drawing, please contact one of the ERNI companies before using. |  | All Dimensions in mm |                                                                                       | Designation                                            |     |
| Subject to modification without prior notice.<br>Drawing will not be updated.                                                                                      |  | www.ERNI.com         |                                                                                       | 0,8 DRC-B, F 6mm, 20 polig<br>0,8 DRC-B, F 6mm, 20 pin |     |
| Index                                                                                                                                                              |  | Date                 |                                                                                       | 294014                                                 |     |
| Class                                                                                                                                                              |  |                      |                                                                                       | DRCB                                                   |     |
|                                                                                                                                                                    |  |                      |                                                                                       | I<br>A3                                                |     |