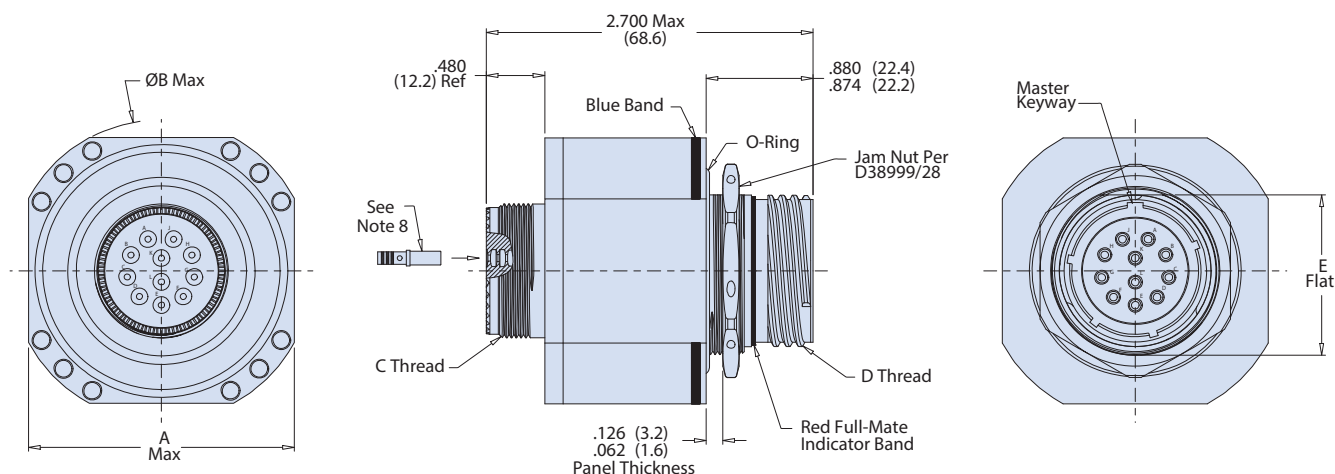


D38999 SERIES III TYPE TVS JAM NUT RECEPTACLE WITH CRIMP CONTACTS

How To Order	
Sample Part Number	242-383 S -XXXX NF 19-11 P C N N
TVS Connector	MIL-DTL-38999 Series III
Shell Style	S = Jam Nut Receptacle
Diode Net List	Assigned by Glenair. See Table V
Material and Finish	See Table II
Insert Arrangement	IAW MIL-STD-1560
Contact Gender	P = Pin S = Socket
Termination	C = Crimp
Flange Mounting Style	N = Not Applicable
Alternate Key Position	A, B, C, D, E, N = Normal, U = Universal (Do not mate Universal with Universal receptacle)



Notes

- Materials/Finishes: Shell Housing & Jam Nut: See Table II
Ground Spring: Beryllium Copper Alloy/Electroless Nickel
Insulators: High grade rigid dielectric
Seals: Fluorosilicone
Contacts: Copper Alloy/Gold over Nickel per ASTM B 488
- Assembly to be identified with Glenair's name, part number, and date code - space permitting.
- Insert Arrangement in accordance with MIL-STD-1560. (Arrangement shown for reference only)
- Electrical Performance: Specific diode voltage code options per Table III. Diode wattage based on 10 x 1000 uS peak pulse power waveform.
- Clamping Time: Less than 1 picosecond, 0V to min. breakdown.
- Glenair will assign a diode net list code and provide a separate net list drawing containing specific electrical requirements. Fill out applicable columns of Table V and return.
- Consult factory for low capacitance, ground requirements, power ratings above 5000W, special test requirements, or other modifications.
- Operating temperature: -55°C to +150°C
- Crimp removable contacts to conform to M39029/57-359 Size #12, M39029/57-358 Size #16, M39029/57-357 Size #20, and M39029/57-354 Size #22D (supplied loose)

Dimensions in inches (millimeters) and are subject to change without notice.

242-383S
MIL-DTL-38999 Series III Type TVS Connector
Jam Nut Receptacle with Crimp Contacts

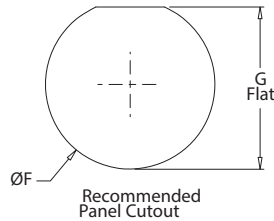
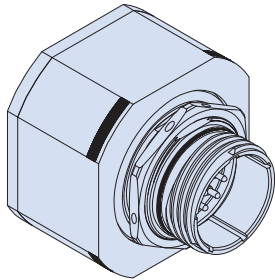
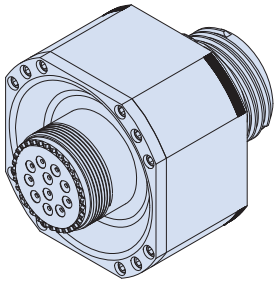


Table II: Material and Finish

Sym	Material	Finish Description
ME	Aluminum	Electroless Nickel
MT		Ni-PTFE 1000 Hour Grey™ Nickel Fluorocarbon Polymer
NF		Cadmium O.D. Over Electroless Nickel
ZN		Zinc-Nickel, Olive Drab
ZNU		Zinc Nickel, Black
ZR		Zinc Nickel, Black - RoHS
ZL	Stainless Steel	Electro-Deposited Nickel

Table I: Dimensions

Shell Size	A Max	ØB Max	C Thread	D Thread	E Flat ±.005 (±.013)	Ø F ±.005 (±.013)	G Flat ±.005 (±.013)
9	1.000 (25.4)	1.300 (33.0)	M12 X 1.0-6g 0.100R	.6250-.1P-.3L-TS-2A	.650 (16.5)	.705 (17.9)	.665 (16.9)
11	1.400 (35.6)	1.700 (43.2)	M15 X 1.0-6g 0.100R	.7500-.1P-.3L-TS-2A	.750 (19.1)	.830 (21.1)	.766 (19.5)
13	1.700 (43.2)	2.000 (50.8)	M18 X 1.0-6g 0.100R	.8750-.1P-.3L-TS-2A	.937 (23.8)	1.015 (25.8)	.950 (24.1)
15	1.700 (43.2)	2.000 (50.8)	M22 X 1.0-6g 0.100R	1.0000-.1P-.3L-TS-2A	1.063 (27.0)	1.140 (29.0)	1.080 (27.4)
17	2.000 (50.8)	2.300 (58.4)	M25 X 1.0-6g 0.100R	1.1875-.1P-.3L-TS-2A	1.186 (30.1)	1.265 (32.1)	1.205 (30.6)
19	2.200 (55.9)	2.500 (63.5)	M28 X 1.0-6g 0.100R	1.2500-.1P-.3L-TS-2A	1.311 (33.3)	1.390 (35.3)	1.330 (33.8)
21	2.300 (58.4)	2.600 (66.0)	M31 X 1.0-6g 0.100R	1.3750-.1P-.3L-TS-2A	1.436 (36.5)	1.515 (38.5)	1.455 (37.0)
23	2.600 (66.0)	2.900 (73.7)	M34 X 1.0-6g 0.100R	1.5000-.1P-.3L-TS-2A	1.561 (39.6)	1.640 (41.7)	1.580 (40.1)
25	2.900 (73.7)	3.200 (81.3)	M37 X 1.0-6g 0.100R	1.6250-.1P-.3L-TS-2A	1.686 (42.8)	1.765 (44.8)	1.705 (43.3)

Dimensions in inches (millimeters) and are subject to change without notice.