

227-152 High-Pressure Environmental In-Line Gender Changer



How To Order

Sample Part Number	227-152	Z1	16	-19	N
Series No.	227-152				
Finish Sym	Z1				
Shell Size	10, 12, 14, 16, 18, 20, 22, 24				
Insert Arrangement	See Table I				
Alternate Key Position	N, 1, 2, 3 or 4				

Table II: Dimensions

Shell Size	A Thread	B Dia
10	.750-1P-.1L	.906
12	.875-1P-.1L	1.031
14	1.000-1P-.1L	1.156
16	1.125-1P-.1L	1.281
18	1.250-1P-.1L	1.531
20	1.375-1P-.1L	1.656
22	1.500-1P-.1L	1.781
24	1.625-1P-.1L	1.906

Notes:

1. Assembly identified with manufacturer's name and P/N, space permitting.
2. Glenair 227-152 connector receptacle is designed to mate with Glenair 220-16 series Geo-Marine® connectors. (scoop-proof)
3. Material/Finish:
 Shell, lock nut - CRES/passivate.
 Contacts - copper alloy/gold plate.
 Insulators - high grade rigid dielectric/n.a.
 Interface seal - fluorosilicone/n.a.
 O-rings - nitrile/n.a.

MATES WITH 220-16

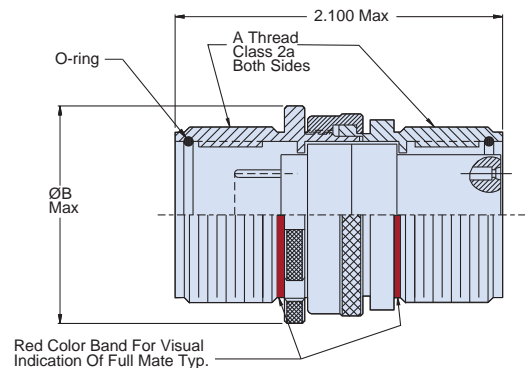
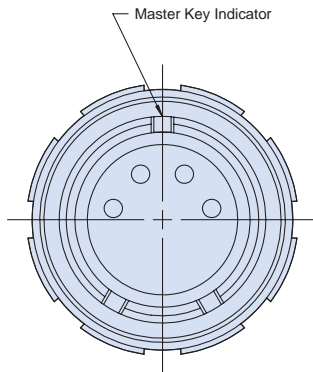


Table I: Insert Arrangements

Shell Size	Insert Arrangement Dash No.	Contact Size and Quantity		
		22	20	16
10	- 4			4
	- 6		6	
	- 13	13		
12	- 8			8
	- 10		10	
	- 22	22		
14	- 12			12
	- 19		19	
	- 37	37		
16	- 19			19
	- 26		26	
	- 55	55		
18	- 22			22
	- 32		32	
	- 66	66		
20	- 30			30
	- 38	30		8
	- 41		41	
	- 79	79		
22	- 38			38
	- 55		55	
	- 85	85		
24	- 48			48
	- 61		61	
	- 100	100		