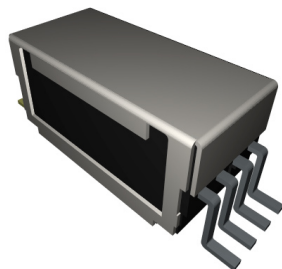


1E Series

Miniature Surface Mount



PRODUCT DESCRIPTIONS

As a standard for Sanyu SMT relays, the 1E Series has been widely accepted by the ATE, telecommunications, and instrument markets. A variety of package styles such as Axial, Gull-Wing and J-Lead are produced to best suit your application needs.

- RF Performance up to 4GHz
- Impedance 50Ω
- UL Certified

SPECIFICATIONS

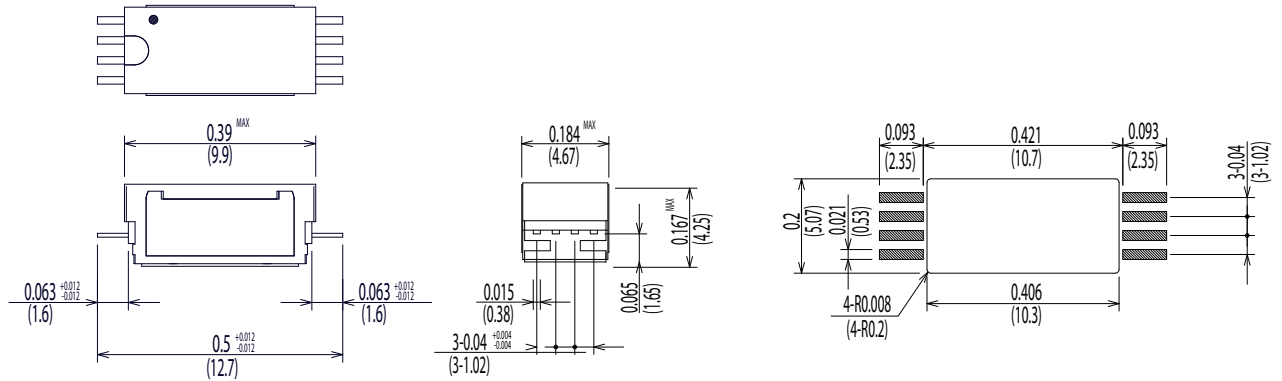


1E Series		1E-54A	1E-14A	1E-24A	A: Axial, G: Gull-Wing, J: J-Lead
		1E-54G	1E-14G	1E-24G	
		1E-54J	1E-14J	1E-24J	
Parameters	Units	1 form A			Test Conditions
Coil Specifications					
Nominal Coil Voltage	VDC	3.3	5.0	12.0	±10% @ 20°C 15°C to 35°C 15°C to 35°C
Coil Resistance	Ω	80	150	500	
Operate Voltage	VDC Max	2.15	3.25	8.1	
Release Voltage	VDC Min	0.5	0.7	1.2	
Contact Ratings					
Switching Voltage	Volts	100			Max DC/Peak AC resistance
Switching Current	Amps	0.5			Max DC/Peak AC resistance
Carry Current	Amps	1.0			Max DC/Peak AC resistance
Contact Rating	Watts	10			Max DC/Peak AC resistance
Life Expectancy	x10 ⁶ Cycle	300			@ 1V 10mA
Contact Resistance	mΩ	150			Max initial @ operate voltage
Contact Resistance Stability	mΩ	5.0			Max initial @ operate voltage
Relay Specifications					
Insulation Resistance	Ω Min	10 ¹¹			Between all isolated pins @ 100V 20°C 40%RH
Dielectric Strength	VDC Min	200			Between contacts
	VDC Min	250			Contacts to shield
	VDC Min	250			Contacts / Shield to coil
Operate Time (Including Bounce)	msec Max	0.3			@ nominal coil voltage
Release Time	msec Max	0.05			100Hz square wave Diode suppression
Environmental Ratings					
Measurement Reference Conditions		Storage temp: -40°C to +85°C Operate temp: -20°C to +80°C Vibration: 20G's to 2000Hz Shock: 50G's			
Temp: 15°C to 35°C					
Humidity: 25% to 75%RH					
Atmospheric Pressure: 860 to 1060hpa					

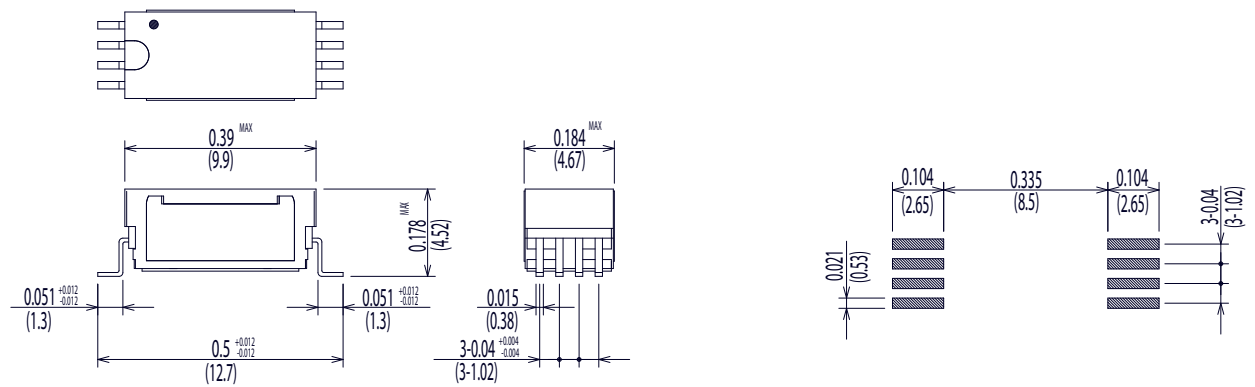
Dimensions All Dimensions are inches (mm)

Land Pattern Recommendation

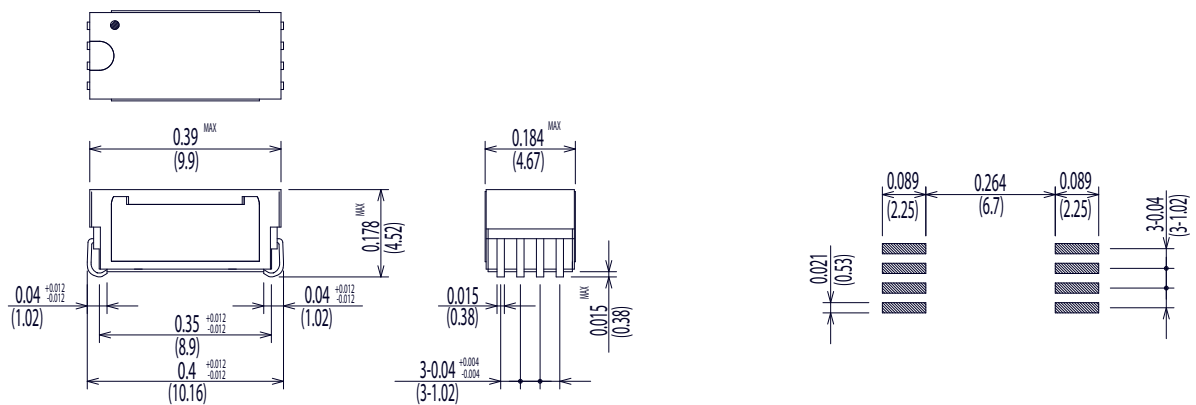
1E-54A/1E-14A/1E-24A



1E-54G/1E-14G/1E-24G



1E-54J/1E-14J/1E-24J



Schematic <Top View>

