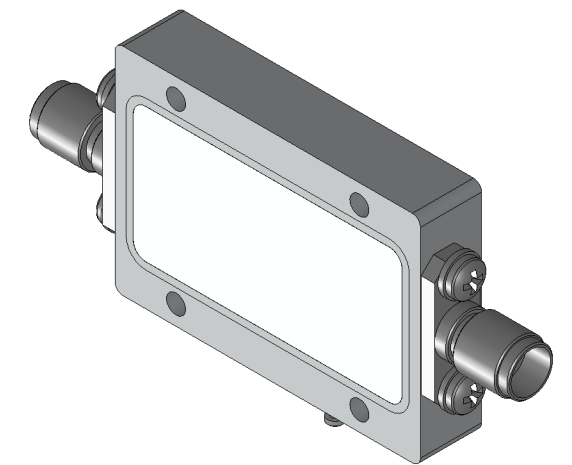
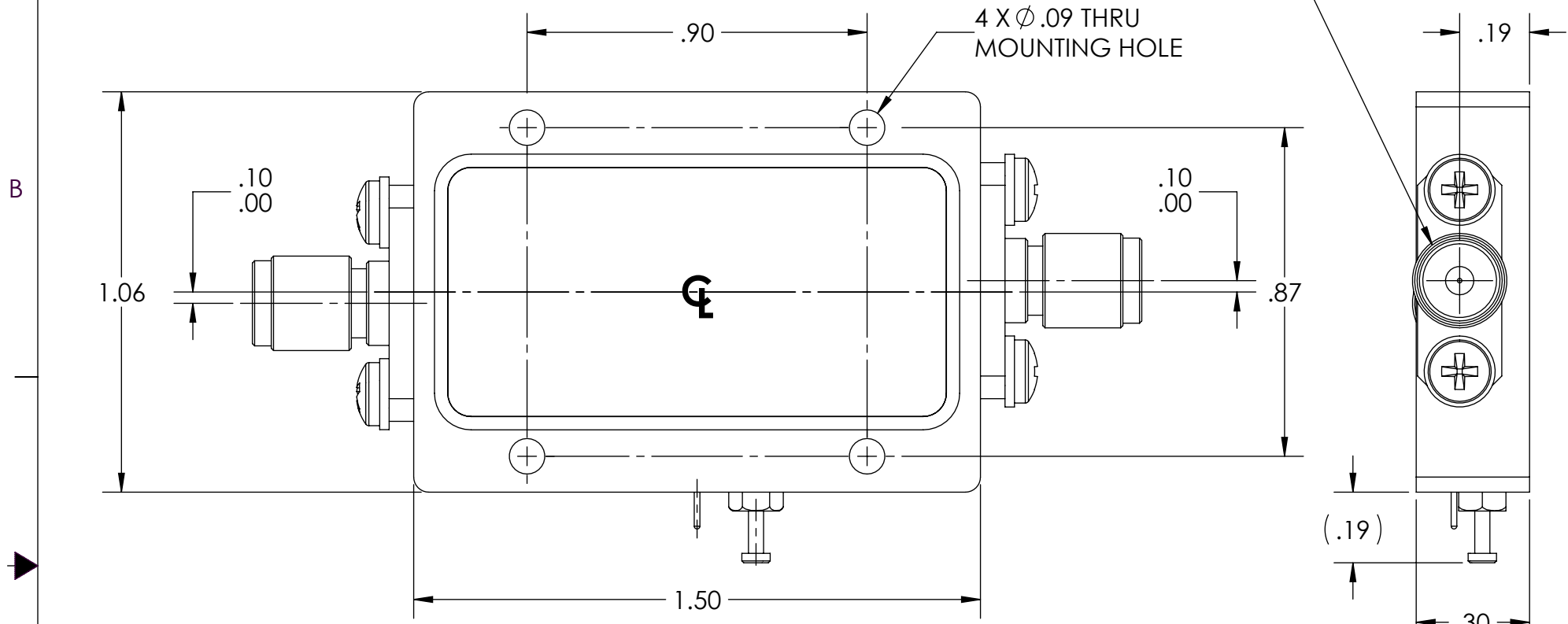


REVISIONS				
ECN	REV.	DESCRIPTION	CHNG/DATE	APPVD/DATE
XXX	P2	PRELIMINARY RELEASE	2013-05-29	

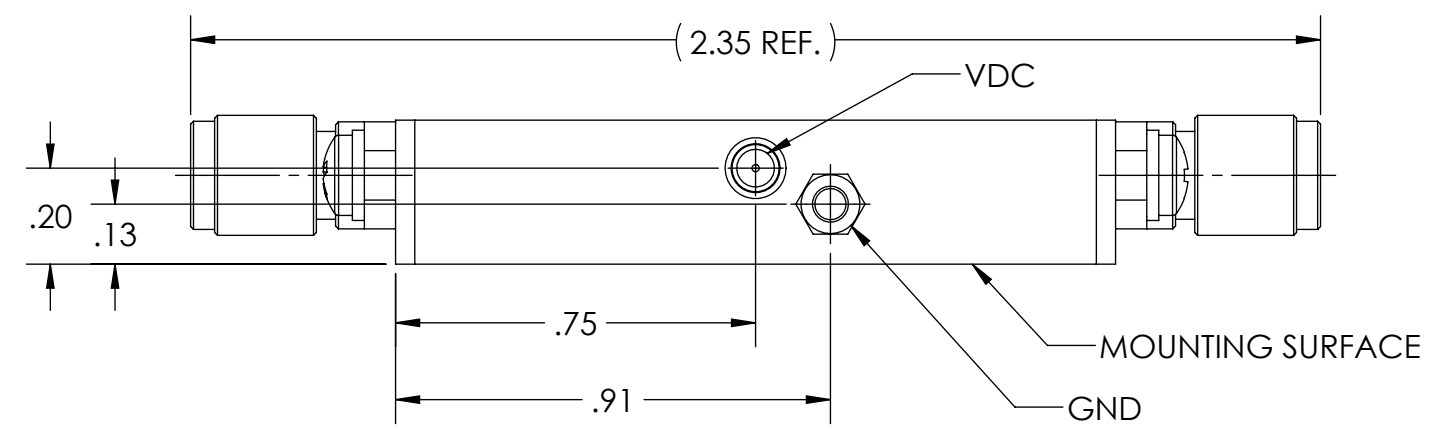
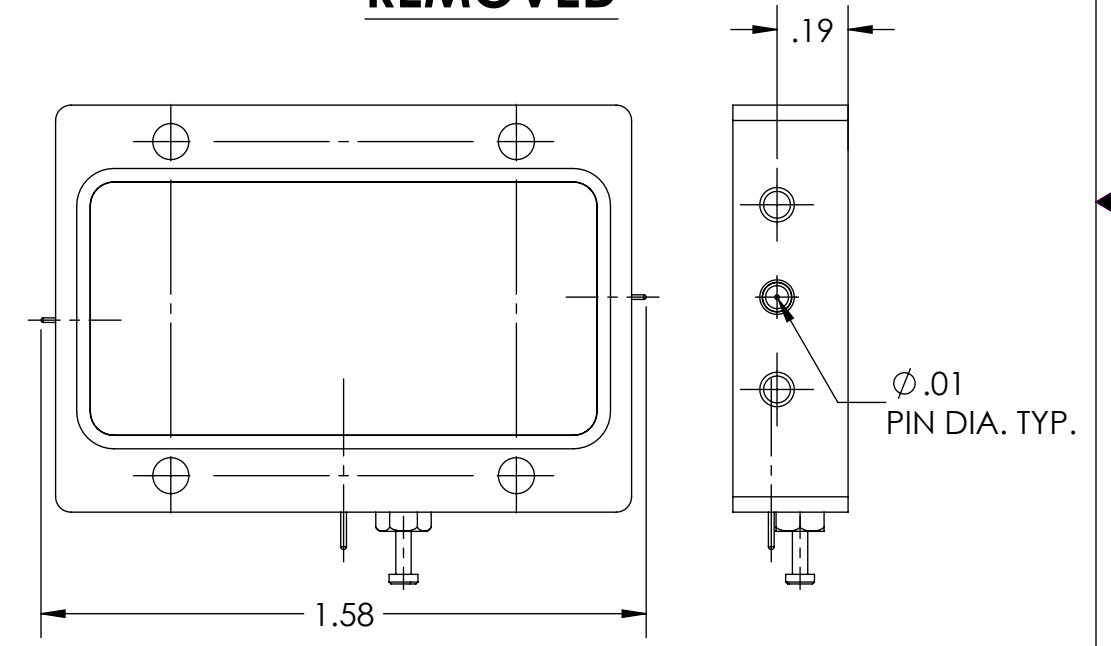
NOTES:
1. MATERIAL: ALUMINUM NICKEL PLATED

FEMALE CONTACT FIELD REPLACEABLE SMA CONNECTOR

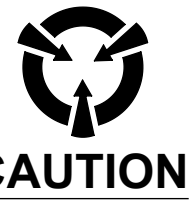
4 X Ø.09 THRU MOUNTING HOLE



SMA CONNECTORS REMOVED



SEE SEPARATE PARTS LIST IN ELECTRONIC STORAGE



THIS ASSEMBLY CONTAINS PARTS SENSITIVE TO DAMAGE BY ELECTROSTATIC DISCHARGE (ESD). USE ESD PRECAUTIONARY PROCEDURES WHEN TOUCHING, REMOVING OR INSERTING

SPECTRUM MICROWAVE PROPRIETARY INFORMATION
THIS DOCUMENT IS THE SOLE PROPERTY OF SPECTRUM MICROWAVE, INC. THE RELEASE OF DATA CONTAINED IN THIS DOCUMENT AND THE REPRODUCTION OF THIS DOCUMENT, IN WHOLE OR IN PART, WITHOUT THE WRITTEN PERMISSION OF SPECTRUM MICROWAVE, INC ARE PROHIBITED.

UNLESS OTHERWISE SPECIFIED		3rd ANGLE PROJECTION	
* INTERPRET DRAWING IAW ASME Y14.100-2004		ANSI	
* DIMENSIONING AND TOLERANCING IAW ASME Y14.5-1994		DRAWN	DATE
* PARENTHETICAL INFORMATION FOR REFERENCE ONLY		WAR	2013-04-04
* DIMENSIONAL LIMITS APPLY BEFORE PROCESSES		CHECKED	
* DIMENSIONS ARE IN INCHES		ENGRG	
* TOLERANCES ARE: ANGLES ±1.0°		HP	2013-04-04
63/2 PLACE DECIMAL ±.02		MFG	
3 PLACE DECIMAL ±.005		QA	
* REMOVE ALL BURRS AND SHARP EDGES .010 RAD MAX.			
* CONCENTRICITY MACHINED DIA: .002 FIM			
* MACHINED TOOL MISMATCH: .002 MAX.			
DO NOT SCALE DRAWING			

SPECTRUM MICROWAVE, INC			
2707 Black Lake Place			
Philadelphia, PA 19154-1008 (USA)			
TITLE			
OUTLINE, HF2			
SIZE	CAGE CODE	DWG NO.	REV
B	60979	088-00376	P2
SCALE:		SHEET	
2.5:1		1	1