

TY - 305P

Description:

The TY series transformers are used for a variety of applications including impedance matching, isolation, repeat coil, line balancing, bridging and hybrid circuits.

Electrical Specifications at 25° C:

| Impedance (Ohms) | | Max. DC Current (mA) | Typ. Insertion Loss (dB) | Typ. Return Loss (dB) | Typ. Freq. Response (dB) |
|------------------|-----|----------------------|--------------------------|-----------------------|--------------------------|
| Pri | Sec | | | | |
| 600 | 600 | 100 | 1.5 | 10 | ±5 |

Designed to meet FCC Part 68

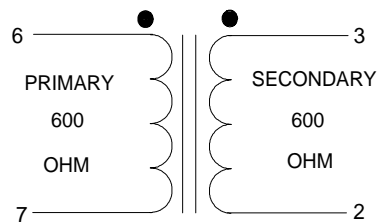
Longitudinal Balance: (FCC 68.310) – 60 dB min. 200 – 1000 Hz
45 dB min. 1000 – 4000 Hz

Dielectric Strength: (FCC 68.304) – 1500VAC

Power Level: -45 dBm to +7 dBm

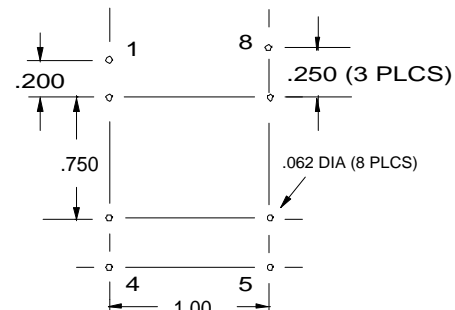
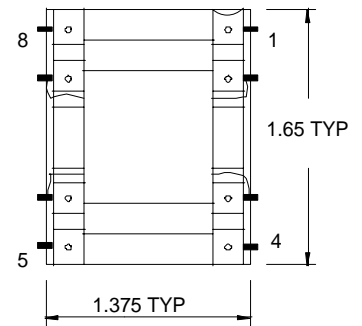
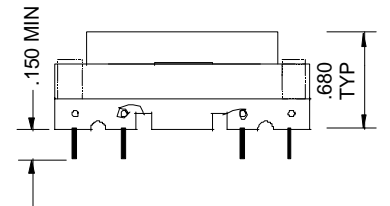
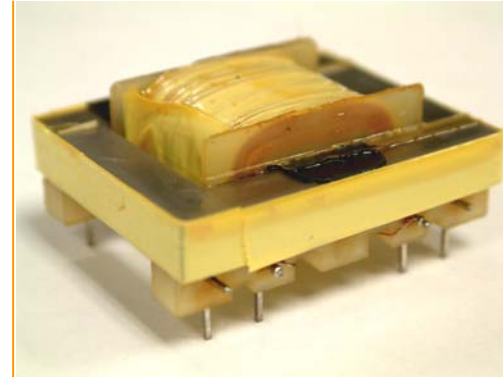
Frequency Range: Data/Voice = 300 to 3500 Hz
Data = 800 to 3500 Hz

Schematic:



RoHS Compliance: As of manufacturing date February 2005, all standard products meet the requirements of 2011/65/EU, known as the RoHS initiative.

*Upon printing, this document is considered “uncontrolled”. Please contact Triad Magnetics website for the most current version.



UNIT MOUNTING PATTERN