



## Precision 7/16 DIN Male to 7mm Sexless Adapter

### TECHNICAL DATA SHEET

PE9509

#### Precision 7/16 DIN Male to 7mm Sexless Adapter

##### Configuration

Connector 1	7/16 DIN Male
Impedance 1	50 Ohms
Connector 2	7mm Sexless
Impedance 2	50 Ohms
Connector Specification 2	IEEE STD 287
Adapter Design	Precision
Body Style	Straight

##### Electrical Specifications

Frequency Range, GHz	DC to 7
Maximum VSWR	1.35:1

##### Mechanical Specifications

###### Temperature

Operating Range, deg C	-65 to +125
------------------------	-------------

###### Size

Length, in [mm]	2.48 [62.99]
Width/Dia., in [mm]	1.25 [31.75]

###### Connector 1

Type	7/16 DIN Male
Hex Size, in.	1 1/4
Torque, ft-lbs [Nm]	18.417 [24.97]

###### Connector 2

Type	7mm Sexless
------	-------------

##### Compliance Certifications (visit [www.Pasternack.com](http://www.Pasternack.com) for current document)

RoHS Compliant	Yes
----------------	-----

Click the following link (or enter part number in "SEARCH" on website) to obtain additional part information including price, inventory and certifications: [Precision 7/16 DIN Male to 7mm Sexless Adapter PE9509](#)

The information contained in this document is accurate to the best of our knowledge and representative of the part described herein. It may be necessary to make modifications to the part and/or the documentation of the part, in order to implement improvements. Pasternack reserves the right to make such changes as required. Unless otherwise stated, all specifications are nominal.



## Precision 7/16 DIN Male to 7mm Sexless Adapter

### TECHNICAL DATA SHEET

PE9509

#### Plotted and Other Data

Notes:

Values at 25 °C, sea level

Precision 7/16 DIN Male to 7mm Sexless Adapter from Pasternack Enterprises has same day shipment for domestic and International orders. Our RF, microwave and fiber optic products maintain a 99% availability and are part of the broadest selection in the industry.

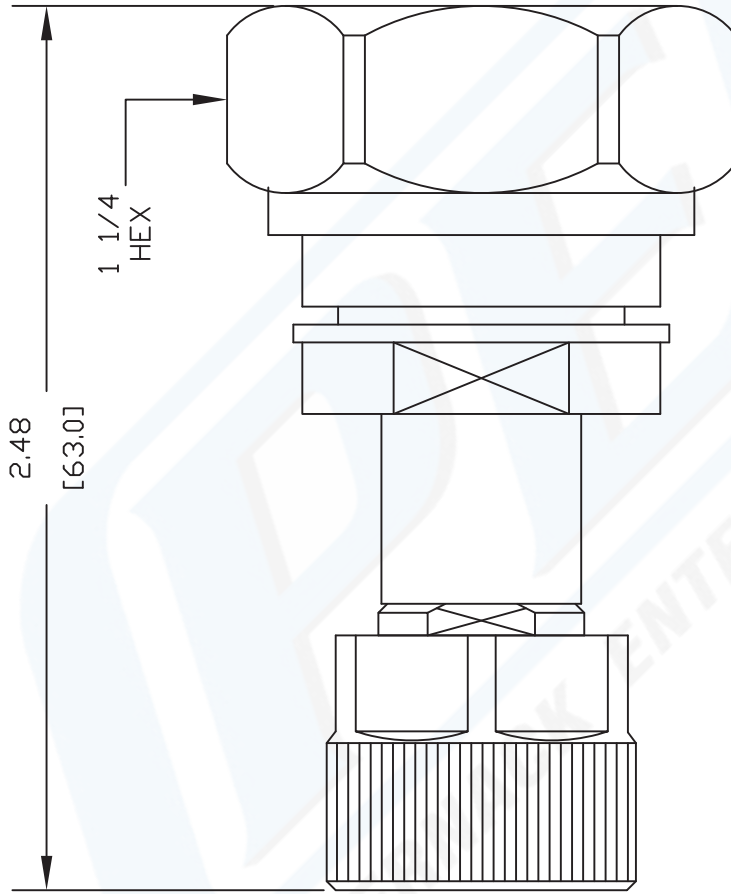
Click the following link (or enter part number in "SEARCH" on website) to obtain additional part information including price, inventory and certifications: [Precision 7/16 DIN Male to 7mm Sexless Adapter PE9509](#)

URL: <http://www.pasternack.com/7-16-din-male-7mm-sexless-straight-adapter-pe9509-p.aspx>

The information contained in this document is accurate to the best of our knowledge and representative of the part described herein. It may be necessary to make modifications to the part and/or the documentation of the part, in order to implement improvements. Pasternack reserves the right to make such changes as required. Unless otherwise stated, all specifications are nominal.

# PE9509 CAD Drawing

Precision 7/16 DIN Male to 7mm Sexless Adapter



NOTES:  
1. UNLESS OTHERWISE SPECIFIED ALL DIMENSIONS ARE NOMINAL.  
2. ALL SPECIFICATIONS ARE SUBJECT TO CHANGE WITHOUT NOTICE AT ANY TIME.  
3. DIMENSIONS ARE IN INCHES [mm].

DWG TITLE  
**PE9509**

**PASTERNAK ENTERPRISES, INC.**  
P.O. BOX 16759, IRVINE, CA 92623  
PHONE (949) 261-1920 FAX (949) 261-7451  
WEB ADDRESS: [www.pasternack.com](http://www.pasternack.com)  
E-MAIL ADDRESS: [sales@pasternack.com](mailto:sales@pasternack.com)  
**COAXIAL & FIBER OPTICS**



REV. -	FSCM NO. 53919	CAD FILE 010903	SCALE N/A	SIZE A	127
--------	----------------	-----------------	-----------	--------	-----