



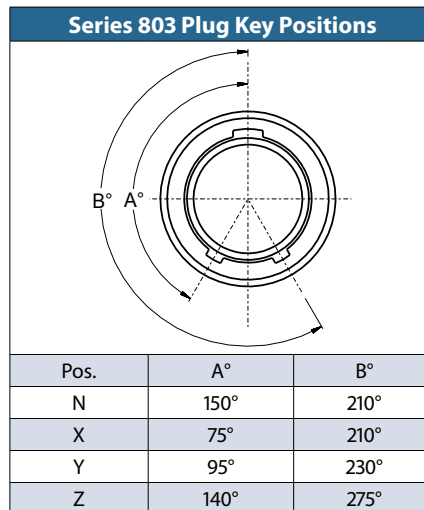
Series 80 Mighty Mouse Dummy Receptacle for 803 Connectors 809-092 Bayonet Receptacle - Dimensions



These Series 803 bayonet receptacle dummy stowage receptacles for shell size 5 thru 15, provide a safe a convenient place to store and protect cabled connectors when not in use due to routine maintenance or repair of plug cables.

X

How To Order					
Sample Part Number	809-092	-07	M	7	N
Series	809-092				
Shell Style	02 = Flange Receptacle for front or rear panel mounting 07 = Jam nut receptacle for rear panel mounting				
Shell Material and Finish	C = Aluminum / Black Anodize (Non-Conductive) RoHS Compliant M = Aluminum / Electroless Nickel NF = Aluminum / Cadmium with Olive Drab ZN = Aluminum / Zinc-Nickel with Olive Drab Chromate Z1 = Stainless Steel / Passivated ZB = Stainless Steel / Olive Drab Chromate over Cadmium ZC = Stainless Steel / Zinc Cobalt Alloy / Black Chromate				
Shell Size (See Table II)	5, 6, 7, 8, 9, 10, 12, 14, 15				
Key Position	N = Normal, X, Y, Z, U = Universal				



Dimensions in Inches (millimeters) are subject to change without notice.

Series 80 Mighty Mouse Dummy Receptacle for 803 Connectors 809-092 Bayonet Receptacle - Dimensions

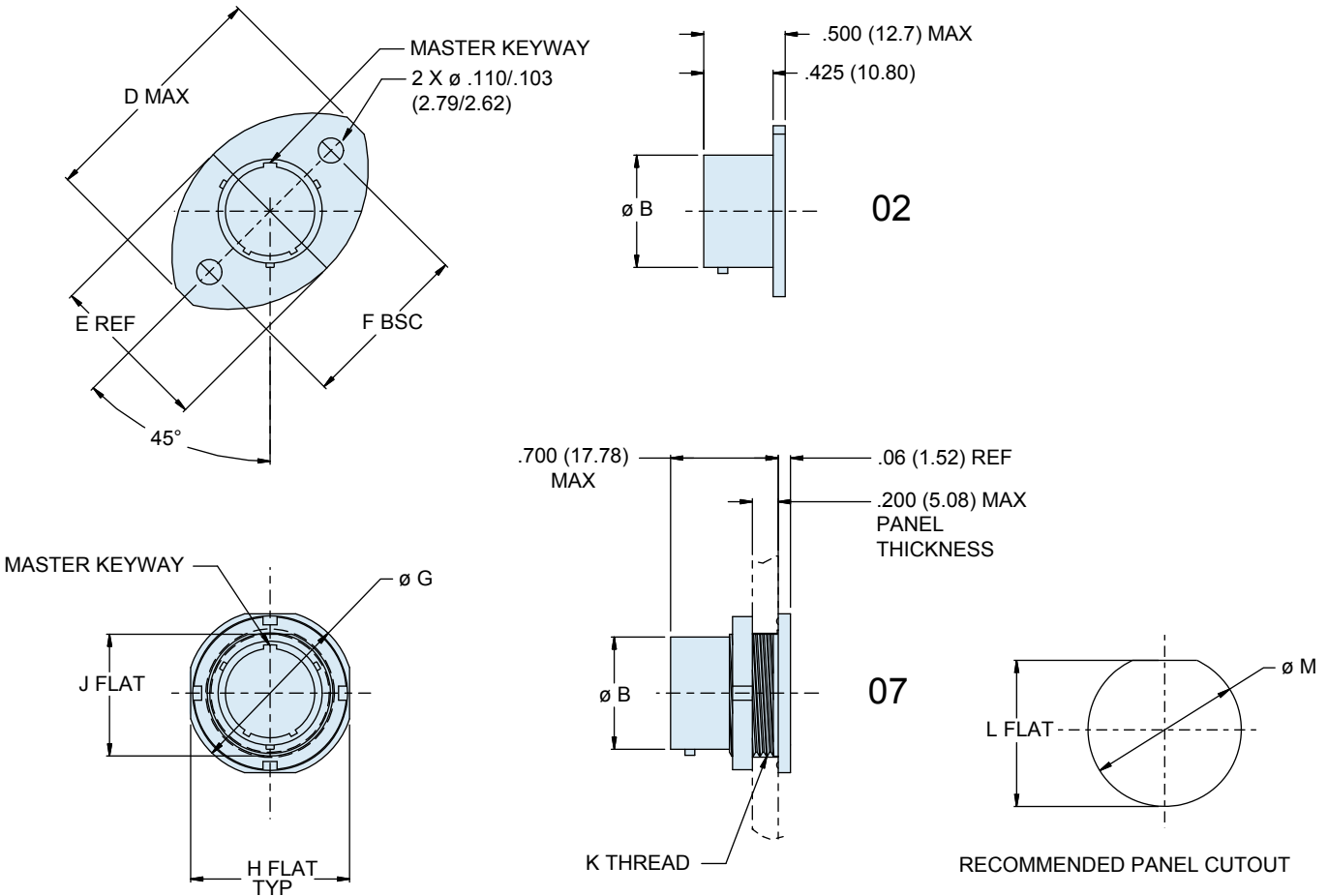


Table II: Dimensions																			
Shell Size	Ø B		Ø D		E Ref		F Bsc		Ø G		H Flat		J Flat		K Thread	L Flat		Ø M	
	in.	mm.	in.	mm.	in.	mm.	in.	mm.	in.	mm.	in.	mm.	in.	mm.		in. ± .002	mm. ± .002	in.	mm.
5	.300	7.62	.703	17.86	.460	11.68	.513	13.03	.575	14.61	.545	13.84	.350	8.89	.3750-28 UN-2A	.360	9.14	.385	9.78
6	.362	9.19	.788	20.02	.522	13.26	.598	15.19	.635	16.13	.595	15.11	.410	10.41	.4375-28 UNEF-2A	.420	10.67	.448	11.38
7	.436	11.07	.890	22.61	.590	14.99	.708	17.98	.755	19.18	.723	18.36	.536	13.61	.5625-32 UN-2A	.546	13.87	.573	14.55
8	.508	12.90	1.154	29.31	.668	16.97	.964	24.49	.830	21.08	.790	20.07	.593	15.06	.6250-28 UN-2A	.603	0.60	.635	16.13
9	.561	14.25	1.207	30.66	.721	18.31	1.017	25.83	.830	21.08	.790	20.07	.593	15.06	.6250-28 UN-2A	.603	15.32	.635	16.13
10	.635	16.13	1.291	32.79	.795	20.19	1.101	27.97	.955	24.26	.925	23.50	.721	18.31	.7500-28 UN-2A	.731	18.57	.760	19.30
12	.714	18.14	1.394	35.41	.874	22.20	1.204	30.58	1.078	27.38	1.044	26.52	.845	21.46	.8750-28 UN-2A	.855	21.72	.885	22.48
14	.865	21.97	1.545	39.24	1.050	26.67	1.280	32.51	1.264	32.11	1.230	31.24	1.022	25.96	1.0625-20 UN-2A	1.032	26.21	1.075	27.31
15	.925	23.50	1.630	41.40	1.150	29.21	1.370	34.80	1.325	33.66	1.290	32.77	1.096	27.84	1.1250-28 UN-2A	1.106	28.09	1.135	28.83

Dimensions in Inches (millimeters) are subject to change without notice.