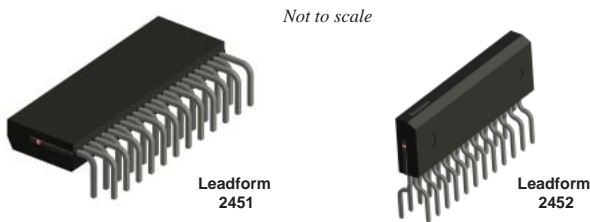


High Voltage 3-Phase Motor Drivers

Features and Benefits

- Built-in pre-drive IC
- MOSFET power element
- Alleviate noise generation by adjusting an internal resistor
- CMOS compatible input (5 V)
- High-side gate driver using bootstrap circuit or floating power supply
- Built-in protection circuit for controlling power supply voltage drop (UVLO on VB and VCC)
- Overcurrent protection (OCP), overcurrent limiting (OCL), and thermal shutdown (TSD)
- Output of fault signal during operation of protection circuit
- Output current 1.5, 2, or 2.5 A
- Small SIP (SMA 24-pin)

Packages: Power SIP



Description

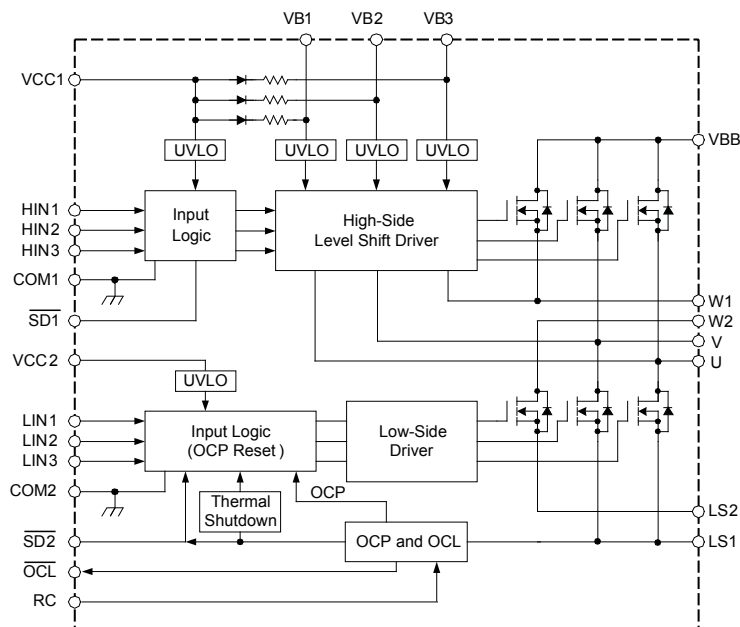
The SMA6860MZ inverter power module (IPM) series provides a robust, highly-integrated solution for optimally controlling 3-phase motor power inverter systems and variable speed control systems used in energy-conserving designs to drive motors of residential and commercial appliances. These ICs take 230 VAC input voltage, and up to 2.5 A (continuous) output current. They can withstand voltages of up to 500 V (MOSFET breakdown voltage).

The SMA6860MZ power package includes an IC with all of the necessary power elements (six MOSFETs), pre-driver ICs (two), and bootstrap diodes (three), needed to configure the main circuit of an inverter. This enables the main circuit of the inverter to be configured with fewer external components than traditional designs.

Applications include residential white goods (home applications) and commercial appliance motor control:

- Air conditioner fan
- Small ventilation fan
- Dishwasher pump

Functional Block Diagram



- $\overline{SD1}$ and $\overline{SD2}$ terminals are used for both input and output.
- $\overline{SD1}$, $\overline{SD2}$ and \overline{OCL} terminals are open-collector output. RC terminal is open-drain output.
- Blanking Time (t_{blank}) is used in Overcurrent Limiting (OCL) and Overcurrent Protection (OCP). If the time exceeds the limit, the signal will be output (open-collector output turns on) on the $\overline{SD2}$ pin, and protection operation will start up.

Figure 1. Driver block diagram

Selection Guide

Part Number	MOSFET Breakdown Voltage, $V_{DSS}(\text{min})$ (V)	Output Current	
		Continuous, $I_O(\text{max})$ (A)	Pulsed, $I_{OP}(\text{max})$ (A)
SMA6861MZ	250	2	3.0
SMA6862MZ	500	1.5	2.25
SMA6863MZ	500	2.5	3.75
SMA6864MZ	250	2.5	3.75
SMA6865MZ	500	2.5	3.75

Absolute Maximum Ratings, valid at $T_A = 25^\circ\text{C}$

Characteristic	Symbol	Remarks	Rating	Unit	
MOSFET Breakdown Voltage	V_{DSS}	SMA6861MZ	$V_{CC} = 15\text{ V}$, $I_D = 100\ \mu\text{A}$, $V_{IN} = 0\text{ V}$	250	V
		SMA6862MZ		500	V
		SMA6863MZ		500	V
		SMA6864MZ		250	V
		SMA6865MZ		500	V
Logic Supply Voltage	V_{CC}	Between VCC and COM	20	V	
Bootstrap Voltage	V_{BS}	Between VB and HS (U, V, and W phases)	20	V	
Output Current, Continuous	I_O	SMA6861MZ		2	A
		SMA6862MZ		1.5	A
		SMA6863MZ		2.5	A
		SMA6864MZ		2.5	A
		SMA6865MZ		2.5	A
Output Current, Pulsed	I_{OP}	SMA6861MZ	$PW \leq 100\ \mu\text{s}$, duty cycle = 1%	3.0	A
		SMA6862MZ		2.25	A
		SMA6863MZ		3.75	A
		SMA6864MZ		3.75	A
		SMA6865MZ		3.75	A
Input Voltage	V_{IN}	HINx and LINx pins	-0.5 to 7	V	
Pull-up Voltage for Shutdown Pins	V_{SDX}	SDx pins	7	V	
Pull-up Voltage for Overcurrent Limiting Pin	V_{OCL}		7	V	
Allowable Power Dissipation	P_D	$T_C = 25^\circ\text{C}$	28	W	
Thermal Resistance (Junction to Case)	$R_{\theta JC}$	All elements operating	4.46	$^\circ\text{C/W}$	
Thermal Resistance (Junction to Ambient)	$R_{\theta JA}$	All elements operating	31.25	$^\circ\text{C/W}$	
Case Operating Temperature	T_{COP}		-20 to 100	$^\circ\text{C}$	
Storage Temperature	T_{stg}		-40 to 150	$^\circ\text{C}$	

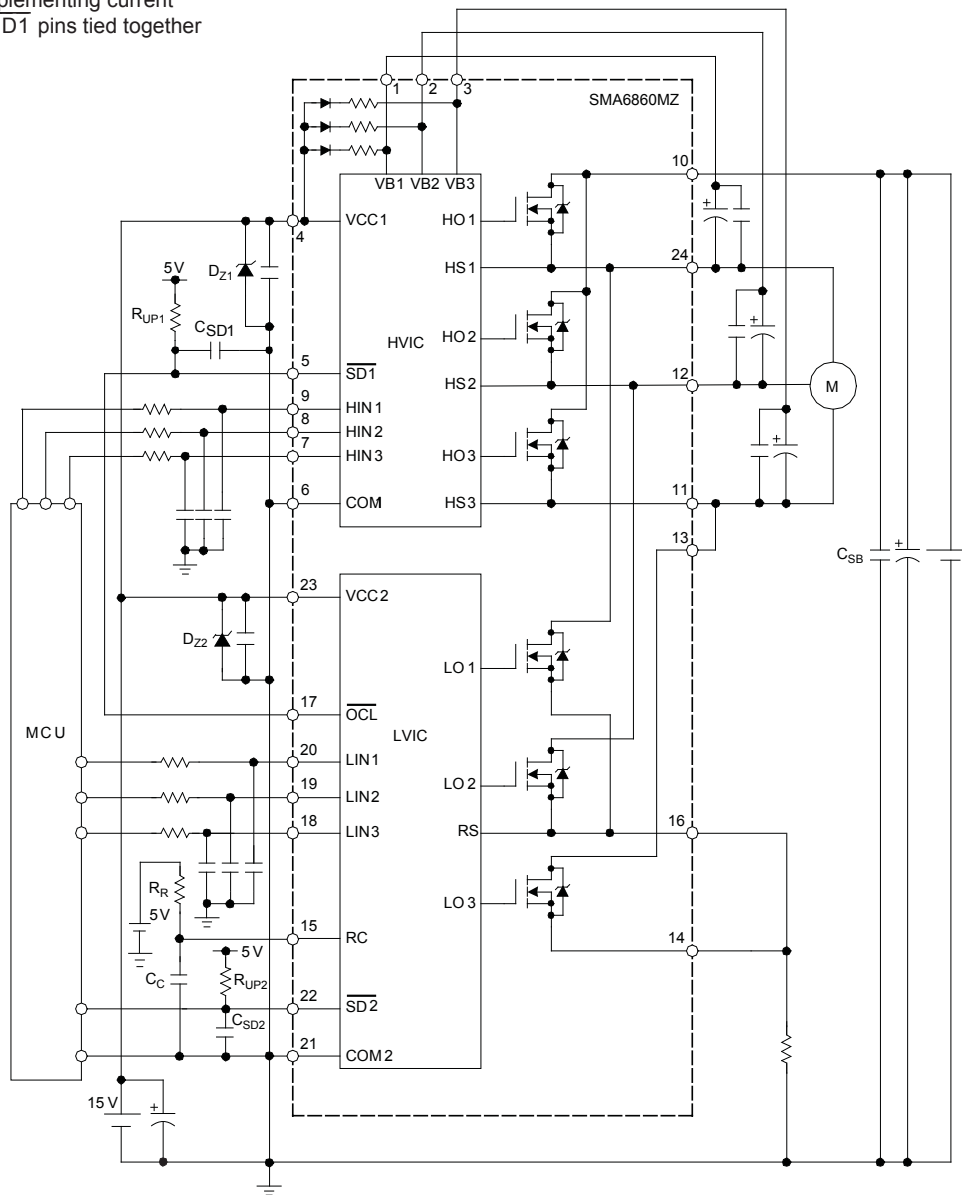
All performance characteristics given are typical values for circuit or system baseline design only and are at the nominal operating voltage and an ambient temperature, T_A , of 25°C , unless otherwise stated.

Recommended Operating Conditions

Characteristic	Symbol	Remarks	Min.	Typ.	Max.	Units	
Main Supply Voltage	V_{BB}	SMA6861MZ	Between V_{BB} and LS	–	–	200	V
		SMA6862MZ		–	–	400	V
		SMA6863MZ		–	–	400	V
		SMA6864MZ		–	–	200	V
		SMA6865MZ		–	–	400	V
V_{BB} Snubber Capacitor	C_{SB}		0.01	–	0.1	μ F	
Logic Supply Voltage	V_{CC}	Between VCC and COM	13.5	15	16.5	V	
Zener Voltage for VCCx Pins	V_Z	Between VCC and COM	18	–	20	V	
Pull-up Voltage	V_{SDx}, V_{OCL}		4.5	5	5.5	V	
Pull-up Resistor $\overline{SD2}$ Pin	R_{UP2}		3.3	–	10	k Ω	
Pull-up Resistor \overline{OCL} Pin	R_{UP1}		1	–	10	k Ω	
Pull-up Resistor RC Pin	R_R		33	–	390	k Ω	
Capacitor \overline{SDx} and \overline{OCL} Pins	C_{SDx}		1	–	10	nF	
Capacitor RC Pin	C_C		1	–	4.7	nF	
Dead Time	t_{dead}	$T_J = -20^\circ\text{C to } 150^\circ\text{C}$	1.5	–	–	μ s	
Minimum Input Pulse Width	$I_{INMIN(on)}$	$T_J = -20^\circ\text{C to } 150^\circ\text{C}$	0.5	–	–	μ s	
	$I_{INMIN(off)}$	$T_J = -20^\circ\text{C to } 150^\circ\text{C}$	0.5	–	–	μ s	
Switching Frequency	f_{PWM}		–	–	20	kHz	

Typical Application Diagram

Shows configuration for implementing current limiter function: OCL and SD1 pins tied together

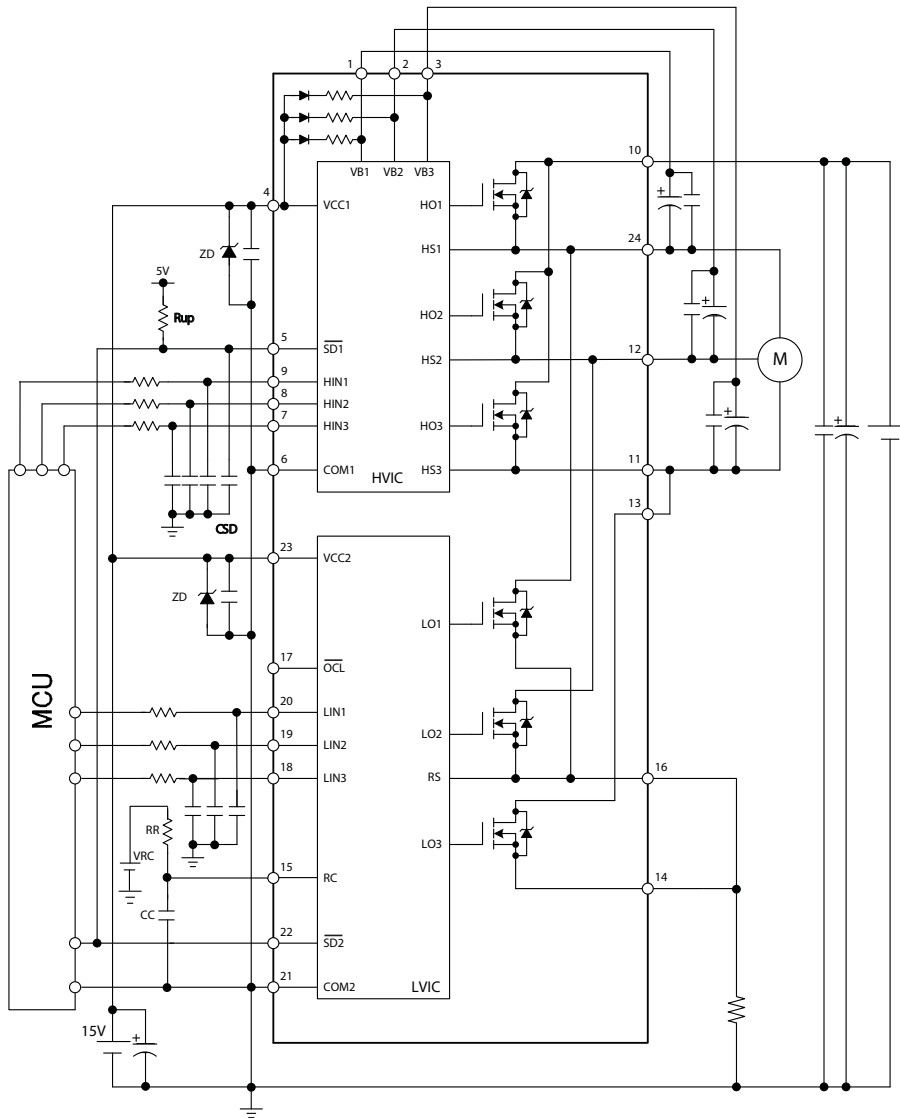


NOTE:

The external electrolytic capacitors should be placed as close to the IC as possible, in order to avoid malfunctions from external noise interference. Put a ceramic capacitor in parallel with the electrolytic capacitor if further reduction of noise susceptibility is necessary.

Typical Application Diagram

Shows configuration without current limiter function: SD1 and SD2 pins tied together



NOTE:

The external electrolytic capacitors should be placed as close to the IC as possible, in order to avoid malfunctions from external noise interference. Put a ceramic capacitor in parallel with the electrolytic capacitor if further reduction of noise susceptibility is necessary.

ELECTRICAL CHARACTERISTICS, valid at $T_A=25^\circ\text{C}$, unless otherwise noted

Characteristics	Symbol	Conditions	Min	Typ	Max	Units	
Logic Supply Current	I_{CC}	$V_{CC} = 15\text{ V}$, $T_C = -20^\circ\text{C}$ to 125°C	–	2.7	5.0	mA	
Bootstrap Supply Current	I_{BX}	$V_{BX} = 15\text{ V}$, $V_{HIN} = 5\text{ V}$, $T_C = -20^\circ\text{C}$ to 125°C	–	135	380	μA	
Input Voltage	V_{IH}	$V_{CC} = 15\text{ V}$	–	2.9	3.4	V	
	V_{IL}	$V_{CC} = 15\text{ V}$	1.6	2.1	–	V	
Input Voltage Hysteresis	V_{Ihys}	$V_{CC} = 15\text{ V}$	–	0.8	–	V	
Input Current	I_{IN}	$V_{IN} = 5\text{ V}$	–	230	500	μA	
Undervoltage Lock Out	V_{UVHL}	High side, between V_{Bx} and U, V, or W	9.0	10.0	11.0	V	
	V_{UVHH}		9.5	10.5	11.5	V	
	V_{UVHhys}	High side, hysteresis	–	0.5	–	V	
	V_{UVLL}	Low side, between V_{CC2} and $COM2$	10.0	11.0	12.0	V	
	V_{UVLH}		10.5	11.5	12.5	V	
	V_{UVLhys}	Low side, hysteresis	–	0.5	–	V	
\overline{SDx} and \overline{OCL} Output Voltage	$V_{SDX(on)}$, V_{OCL}	$V_{SDX} = V_{OCL} = 5\text{ V}$, $R_{UPX} = 3.3\text{ k}\Omega$	–	–	0.6	V	
Overtemperature Detection Threshold Temperature (Activation and Deactivation)	T_{DH}	$V_{CC} = 15\text{ V}$, high-side and low side	120	135	150	$^\circ\text{C}$	
	T_{DL}		100	115	130	$^\circ\text{C}$	
	T_{Dhys}		–	20	–	$^\circ\text{C}$	
Overcurrent Protection Trip Voltage	V_{TRIP}	$V_{CC} = 15\text{ V}$	0.9	1.0	1.1	V	
Overcurrent Limit Reference Voltage	V_{LIM}	$V_{CC} = 15\text{ V}$	0.5035	0.53	0.5565	V	
Overcurrent Protection Hold Time	t_p	$V_{RC} = 5\text{ V}$, $R_R = 360\text{ k}\Omega$, $C_C = 0.0047\text{ }\mu\text{F}$	–	2.0	–	ms	
Blanking Time	t_{blank}	$V_{CC} = 15\text{ V}$	–	2.0	–	μs	
Bootstrap Diode Leakage Current	I_{LBD}	SMA6861MZ	$V_R = 250\text{ V}$	–	–	10	μA
		SMA6862MZ	$V_R = 500\text{ V}$	–	–	10	μA
		SMA6863MZ	$V_R = 500\text{ V}$	–	–	10	μA
		SMA6864MZ	$V_R = 250\text{ V}$	–	–	10	μA
		SMA6865MZ	$V_R = 500\text{ V}$	–	–	10	μA
Bootstrap Diode Forward Voltage	V_{FBD}	$I_F = 0.05\text{ A}$	–	0.8	1.3	V	
Bootstrap Diode Recovery Time	t_{rtb}	$I_F / I_{RP} = 100\text{ mA} / 100\text{ mA}$	–	70	–	ns	
Bootstrap Diode Series Resistor	R_{BD}		168	210	252	Ω	
MOSFET Breakdown Voltage	V_{DSS}	SMA6861MZ	$V_{CC} = 15\text{ V}$, $I_D = 100\text{ }\mu\text{A}$, $V_{IN} = 0\text{ V}$	250	–	–	V
		SMA6862MZ		500	–	–	V
		SMA6863MZ		500	–	–	V
		SMA6864MZ		250	–	–	V
		SMA6865MZ		500	–	–	V
MOSFET Leakage Current	I_{DSS}	SMA6861MZ	$V_{CC} = 15\text{ V}$, $V_{DS} = 250\text{ V}$, $V_{IN} = 0\text{ V}$	–	–	100	μA
		SMA6862MZ	$V_{CC} = 15\text{ V}$, $V_{DS} = 500\text{ V}$, $V_{IN} = 0\text{ V}$	–	–	100	μA
		SMA6863MZ	$V_{CC} = 15\text{ V}$, $V_{DS} = 500\text{ V}$, $V_{IN} = 0\text{ V}$	–	–	100	μA
		SMA6864MZ	$V_{CC} = 15\text{ V}$, $V_{DS} = 250\text{ V}$, $V_{IN} = 0\text{ V}$	–	–	100	μA
		SMA6865MZ	$V_{CC} = 15\text{ V}$, $V_{DS} = 500\text{ V}$, $V_{IN} = 0\text{ V}$	–	–	100	μA

Continued on the next page...

ELECTRICAL CHARACTERISTICS (continued), valid at $T_A=25^{\circ}\text{C}$, unless otherwise noted

Characteristics	Symbol	Conditions		Min	Typ	Max	Units
MOSFET On State Resistance	$R_{DS(on)}$	SMA6861MZ	$V_{CC} = 15\text{ V}, I_D = 1.0\text{ A}, V_{IN} = 5\text{ V}$	–	1.25	1.5	Ω
		SMA6862MZ	$V_{CC} = 15\text{ V}, I_D = 0.75\text{ A}, V_{IN} = 5\text{ V}$	–	3.2	4.0	Ω
		SMA6863MZ	$V_{CC} = 15\text{ V}, I_D = 1.25\text{ A}, V_{IN} = 5\text{ V}$	–	2.0	2.4	Ω
		SMA6864MZ	$V_{CC} = 15\text{ V}, I_D = 1.25\text{ A}, V_{IN} = 5\text{ V}$	–	0.35	0.5	Ω
		SMA6865MZ	$V_{CC} = 15\text{ V}, I_D = 1.25\text{ A}, V_{IN} = 5\text{ V}$	–	1.4	1.7	Ω
MOSFET Diode Forward Voltage	V_{SDF}	SMA6861MZ	$V_{CC} = 15\text{ V}, I_D = 1.0\text{ A}, V_{IN} = 5\text{ V}$	–	1.1	1.5	V
		SMA6862MZ	$V_{CC} = 15\text{ V}, I_D = 0.75\text{ A}, V_{IN} = 5\text{ V}$	–	1.1	1.5	V
		SMA6863MZ	$V_{CC} = 15\text{ V}, I_D = 1.25\text{ A}, V_{IN} = 5\text{ V}$	–	1.1	1.5	V
		SMA6864MZ	$V_{CC} = 15\text{ V}, I_D = 1.25\text{ A}, V_{IN} = 5\text{ V}$	–	0.8	1.2	V
		SMA6865MZ	$V_{CC} = 15\text{ V}, I_D = 1.25\text{ A}, V_{IN} = 5\text{ V}$	–	1.0	1.5	V

SMA6861MZ SWITCHING CHARACTERISTICS, valid at $T_A=25^{\circ}\text{C}$, unless otherwise noted

Characteristics	Symbol	Conditions	Min	Typ	Max	Units
Switching Time, High Side	$t_{dH(on)}$	$V_{BB} = 150\text{ V}, V_{CC} = 15\text{ V}, I_D = 2.0\text{ A}, 0\text{ V} \leq V_{IN} \leq 5\text{ V}$, inductive load	-	660	-	ns
	t_{rH}		-	25	-	ns
	t_{rrH}		-	50	-	ns
	$t_{dH(off)}$		-	560	-	ns
	t_{fH}		-	10	-	ns
Switching Time, Low Side	$t_{dL(on)}$	$V_{BB} = 150\text{ V}, V_{CC} = 15\text{ V}, I_D = 2.0\text{ A}, 0\text{ V} \leq V_{IN} \leq 5\text{ V}$, inductive load	-	540	-	ns
	t_{rL}		-	25	-	ns
	t_{rrL}		-	45	-	ns
	$t_{dL(off)}$		-	500	-	ns
	t_{fL}		-	15	-	ns

SMA6862MZ SWITCHING CHARACTERISTICS, valid at $T_A=25^{\circ}\text{C}$, unless otherwise noted

Characteristics	Symbol	Conditions	Min	Typ	Max	Units
Switching Time, High Side	$t_{dH(on)}$	$V_{BB} = 300\text{ V}, V_{CC} = 15\text{ V}, I_D = 1.5\text{ A}, 0\text{ V} \leq V_{IN} \leq 5\text{ V}$, inductive load	-	720	-	ns
	t_{rH}		-	60	-	ns
	t_{rrH}		-	110	-	ns
	$t_{dH(off)}$		-	690	-	ns
	t_{fH}		-	30	-	ns
Switching Time, Low Side	$t_{dL(on)}$	$V_{BB} = 300\text{ V}, V_{CC} = 15\text{ V}, I_D = 1.5\text{ A}, 0\text{ V} \leq V_{IN} \leq 5\text{ V}$, inductive load	-	670	-	ns
	t_{rL}		-	70	-	ns
	t_{rrL}		-	120	-	ns
	$t_{dL(off)}$		-	590	-	ns
	t_{fL}		-	30	-	ns

SMA6863MZ SWITCHING CHARACTERISTICS, valid at $T_A=25^{\circ}\text{C}$, unless otherwise noted

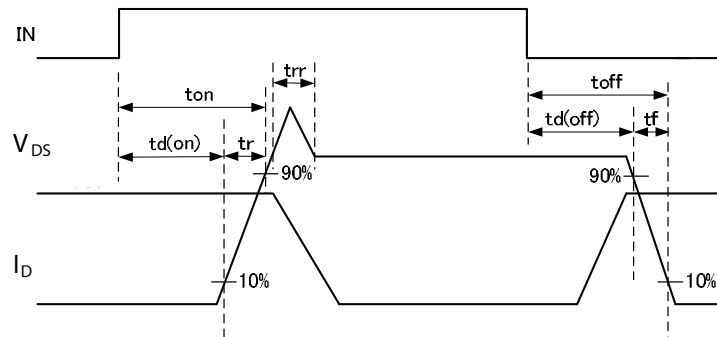
Characteristics	Symbol	Conditions	Min	Typ	Max	Units
Switching Time, High Side	$t_{dH(on)}$	$V_{BB} = 300\text{ V}, V_{CC} = 15\text{ V}, I_D = 2.5\text{ A}, 0\text{ V} \leq V_{IN} \leq 5\text{ V}$, inductive load	-	820	-	ns
	t_{rH}		-	100	-	ns
	t_{rrH}		-	120	-	ns
	$t_{dH(off)}$		-	740	-	ns
	t_{fH}		-	30	-	ns
Switching Time, Low Side	$t_{dL(on)}$	$V_{BB} = 300\text{ V}, V_{CC} = 15\text{ V}, I_D = 2.5\text{ A}, 0\text{ V} \leq V_{IN} \leq 5\text{ V}$, inductive load	-	790	-	ns
	t_{rL}		-	110	-	ns
	t_{rrL}		-	130	-	ns
	$t_{dL(off)}$		-	700	-	ns
	t_{fL}		-	30	-	ns

SMA6864MZ SWITCHING CHARACTERISTICS, valid at $T_A=25^{\circ}\text{C}$, unless otherwise noted

Characteristics	Symbol	Conditions	Min	Typ	Max	Units
Switching Time, High Side	$t_{dH(on)}$	$V_{BB} = 150\text{ V}, V_{CC} = 15\text{ V}, I_D = 2.5\text{ A}, 0\text{ V} \leq V_{IN} \leq 5\text{ V}$, inductive load	-	730	-	ns
	t_{rH}		-	40	-	ns
	t_{rrH}		-	75	-	ns
	$t_{dH(off)}$		-	640	-	ns
	t_{fH}		-	20	-	ns
Switching Time, Low Side	$t_{dL(on)}$	$V_{BB} = 150\text{ V}, V_{CC} = 15\text{ V}, I_D = 2.5\text{ A}, 0\text{ V} \leq V_{IN} \leq 5\text{ V}$, inductive load	-	660	-	ns
	t_{rL}		-	40	-	ns
	t_{rrL}		-	55	-	ns
	$t_{dL(off)}$		-	600	-	ns
	t_{fL}		-	30	-	ns

SMA6865MZ SWITCHING CHARACTERISTICS, valid at $T_A=25^{\circ}\text{C}$, unless otherwise noted

Characteristics	Symbol	Conditions	Min	Typ	Max	Units
Switching Time, High Side	$t_{dH(on)}$	$V_{BB} = 300\text{ V}, V_{CC} = 15\text{ V}, I_D = 2.5\text{ A}, 0\text{ V} \leq V_{IN} \leq 5\text{ V}$, inductive load	-	750	-	ns
	t_{rH}		-	60	-	ns
	t_{rrH}		-	100	-	ns
	$t_{dH(off)}$		-	680	-	ns
	t_{fH}		-	20	-	ns
Switching Time, Low Side	$t_{dL(on)}$	$V_{BB} = 300\text{ V}, V_{CC} = 15\text{ V}, I_D = 2.5\text{ A}, 0\text{ V} \leq V_{IN} \leq 5\text{ V}$, inductive load	-	640	-	ns
	t_{rL}		-	65	-	ns
	t_{rrL}		-	100	-	ns
	$t_{dL(off)}$		-	560	-	ns
	t_{fL}		-	20	-	ns



Switching Characteristics Definitions

Truth Table

Mode	Hin	Lin	H-side MOSFET	L-side MOSFET
Normal	L	L	Off	Off
	H	L	On	Off
	L	H	Off	On
	H	H	On	On
TSD	L	L	Off	Off
	H	L	On	Off
	L	H	Off	Off
	H	H	On	Off
OCP	L	L	Off	Off
	H	L	On	Off
	L	H	Off	Off
	H	H	On	Off
OCL (= L) ¹	L	L	Off	Off
	H	L	Off	Off
	L	H	Off	On
	H	H	Off	On
UVLO (VCC) ²	L	L	Off	Off
	H	L	Off	Off
	L	H	Off	Off
	H	H	Off	Off
UVLO (VB) ³	L	L	Off	Off
	H	L	Off	Off
	L	H	Off	On
	H	H	Off	On
SD2 (= L)	L	L	Off	Off
	H	L	On	Off
	L	H	Off	Off
	H	H	On	Off

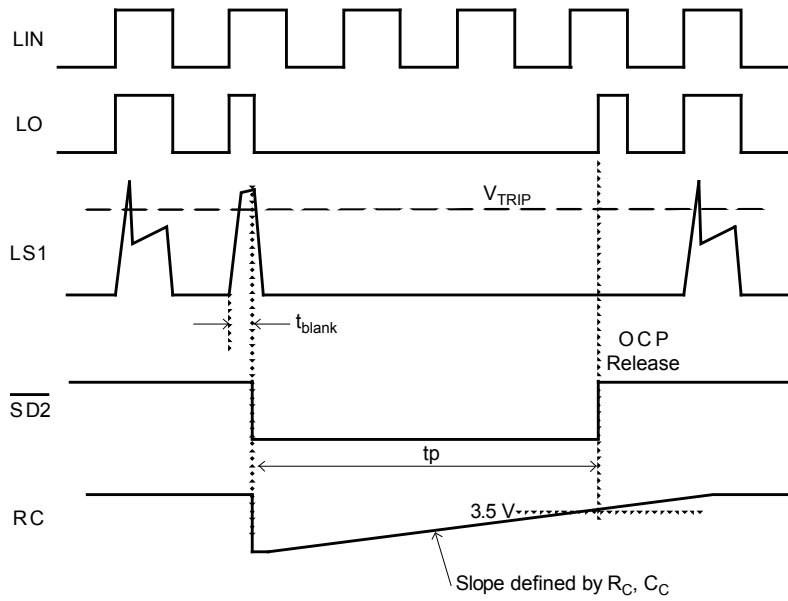
¹The OCL feature is enabled when the $\overline{\text{OCL}}$ and SD1 pins are tied together externally. If these pins are not tied when an OCL condition occurs, device operation continues in Normal mode.

²Returning to the Normal mode of operation from a V_{CC} UVLO condition, a high-side MOSFET resumes switching on the rising edge of an HINx input. On the other hand, a low-side MOSFET resumes switching on the first logic high of a LINx input after release of the UVLO condition.

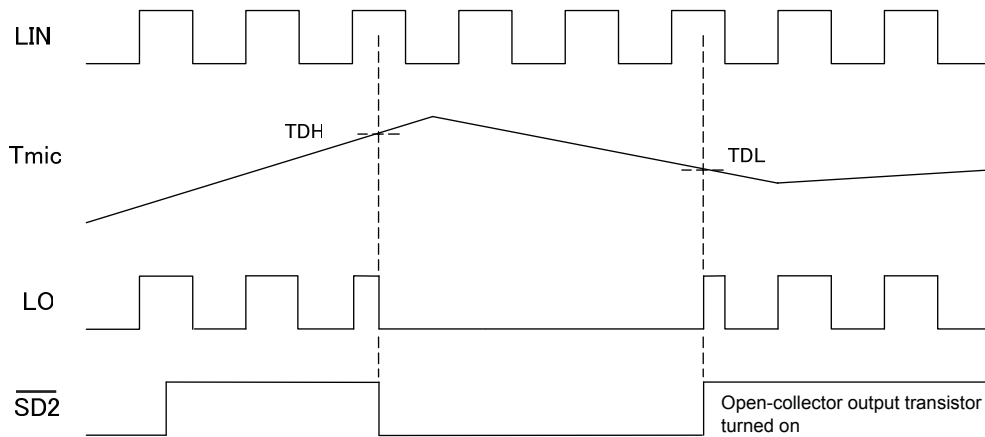
³Returning to the Normal mode of operation from a V_{B} UVLO condition, a high-side MOSFET resumes switching on the rising edge of an HINx input.

Note: To prevent a shoot-through condition, the external microcontroller should not drive $\text{HINx} = \text{LINx} = \text{H}$ at the same time.

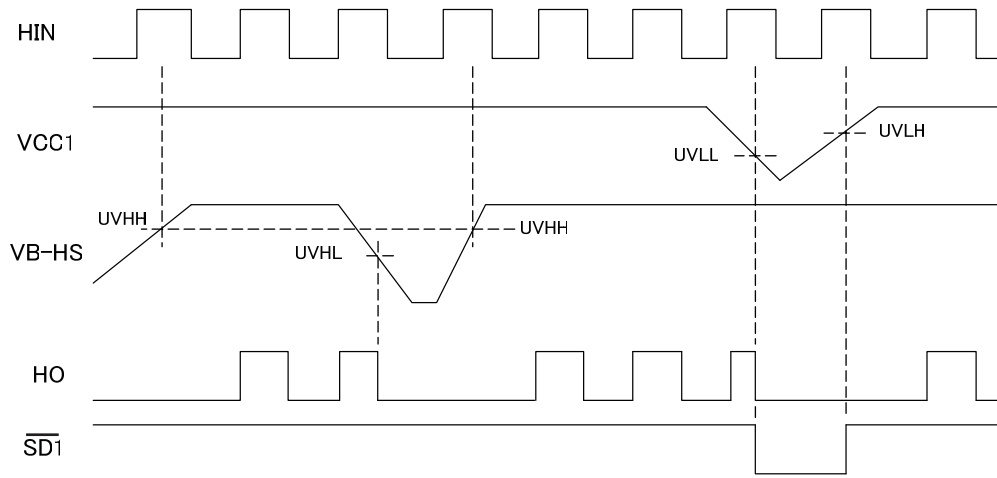
OCP Timing Diagram



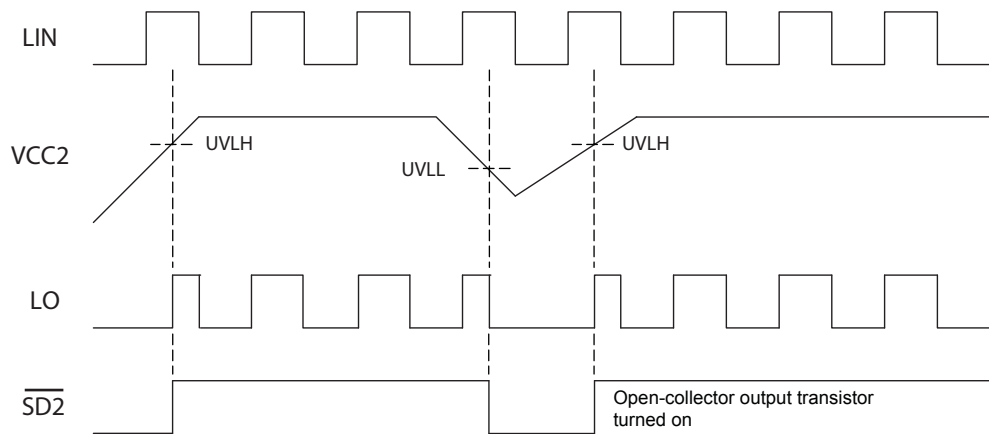
Low-Side Logic TSD Timing Diagram



High-Side UVLO Timing Diagram

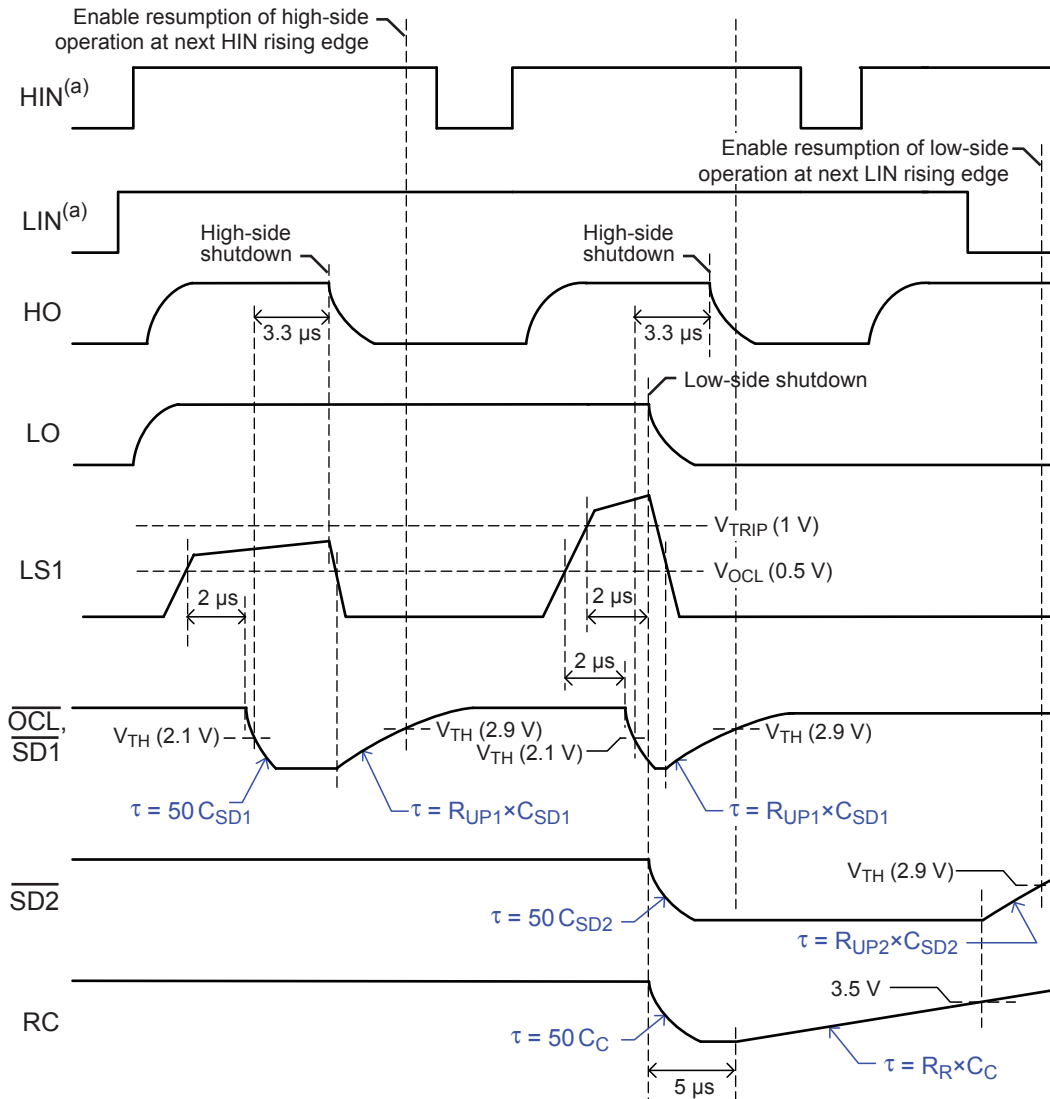


Low-Side UVLO Timing Diagram



OCL Timing Diagram

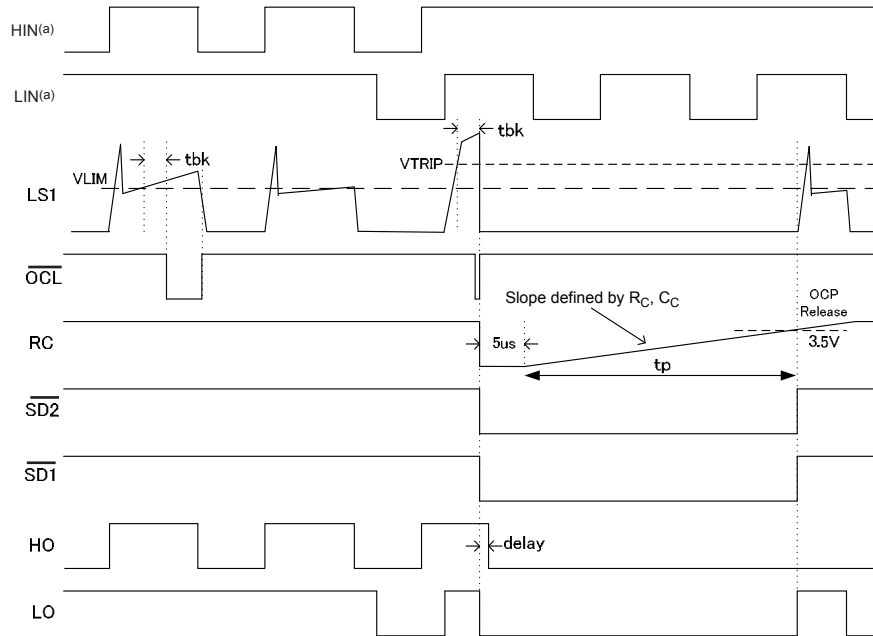
$\overline{\text{OCL}}$ and $\overline{\text{SD1}}$ pins connected externally; current-limiter function in use



(a) Each HINx or LINx pin drives a independent side of a phase, that is, the high-side and the low-side switching devices of a U, V, or W motor coil phase are each driven separately, by the corresponding dedicated HINx or LINx

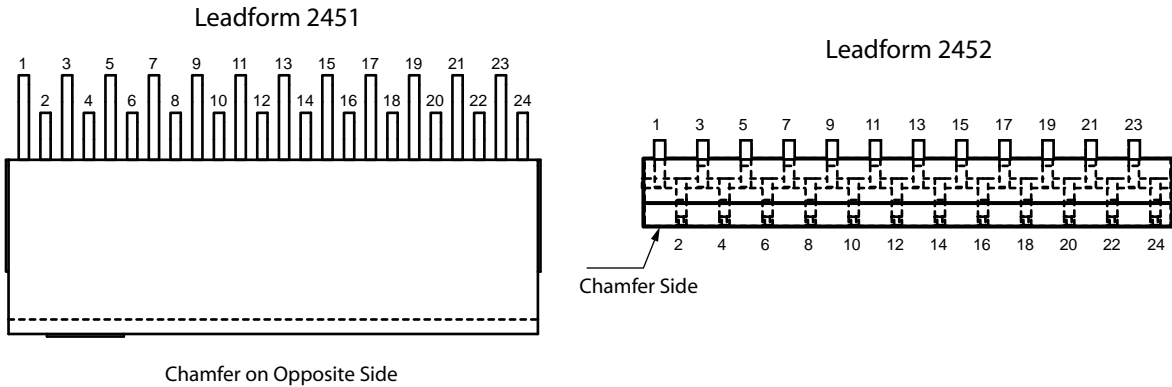
Shut Down Timing Diagram

$\overline{SD1}$ and $\overline{SD2}$ pins connected externally; current-limiter function not in use



(a) Each HINx or LINx pin drives a independent side of a phase, that is, the high-side and the low-side switching devices of a U, V, or W motor coil phase are each driven separately, by the corresponding dedicated HINx or LINx input

Pin-out Diagrams

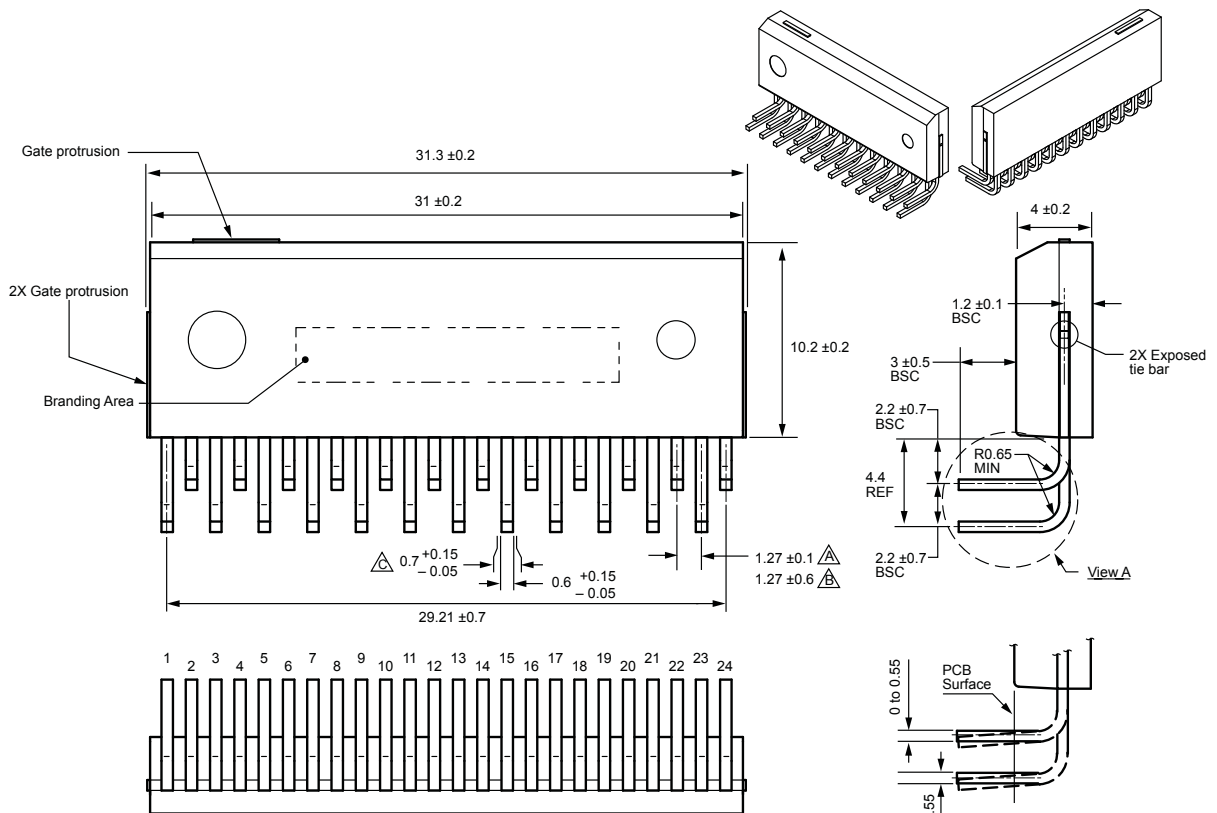


Terminal List Table

Number	Name	Function
1	VB1	High side bootstrap terminal (U phase)
2	VB2	High side bootstrap terminal (V phase)
3	VB3	High side bootstrap terminal (W phase)
4	VCC1	High side logic supply voltage
5	$\overline{SD1}$	High side shutdown input and UVLO fault signal output
6	COM1	High side logic GND terminal
7	HIN3	High side input terminal (W phase)
8	HIN2	High side input terminal (V phase)
9	HIN1	High side input terminal (U phase)
10	VBB	Main supply voltage
11	W1	Output of W phase (connect to W2 externally)
12	V	Output of V phase
13	W2	Output of W phase (connect to W1 externally)
14	LS2	Low side source terminal (connect to LS1 externally)
15	RC	Overcurrent protection hold time adjustment input terminal
16	LS1	Low side source terminal (connect to LS2 externally)
17	\overline{OCL}	Output for overcurrent limiting
18	LIN3	Low side input terminal (W phase)
19	LIN2	Low side input terminal (V phase)
20	LIN1	Low side input terminal (U phase)
21	COM2	Low side GND terminal
22	$\overline{SD2}$	Low side shutdown input and overtemperature, overcurrent, and UVLO fault signals output
23	VCC2	Low side logic supply voltage
24	U	Output of U phase

Package Outline Drawing
Leadform 2451

Dual rows, 24 alternating pins; pins bent 90° for horizontal case mounting; pin #1 in outer row



- △ Measured at pin exit from case
- △ Measured at pin tips
- △ Maximum dambar protrusion

Leadform: 2451
Terminal core material: Cu
Terminal plating: Ni and solder (Sn 97.5%, Ag 2.5%) plating
Case material: Epoxy resin

Dimensions in millimeters

Branding codes (exact appearance at manufacturer discretion):

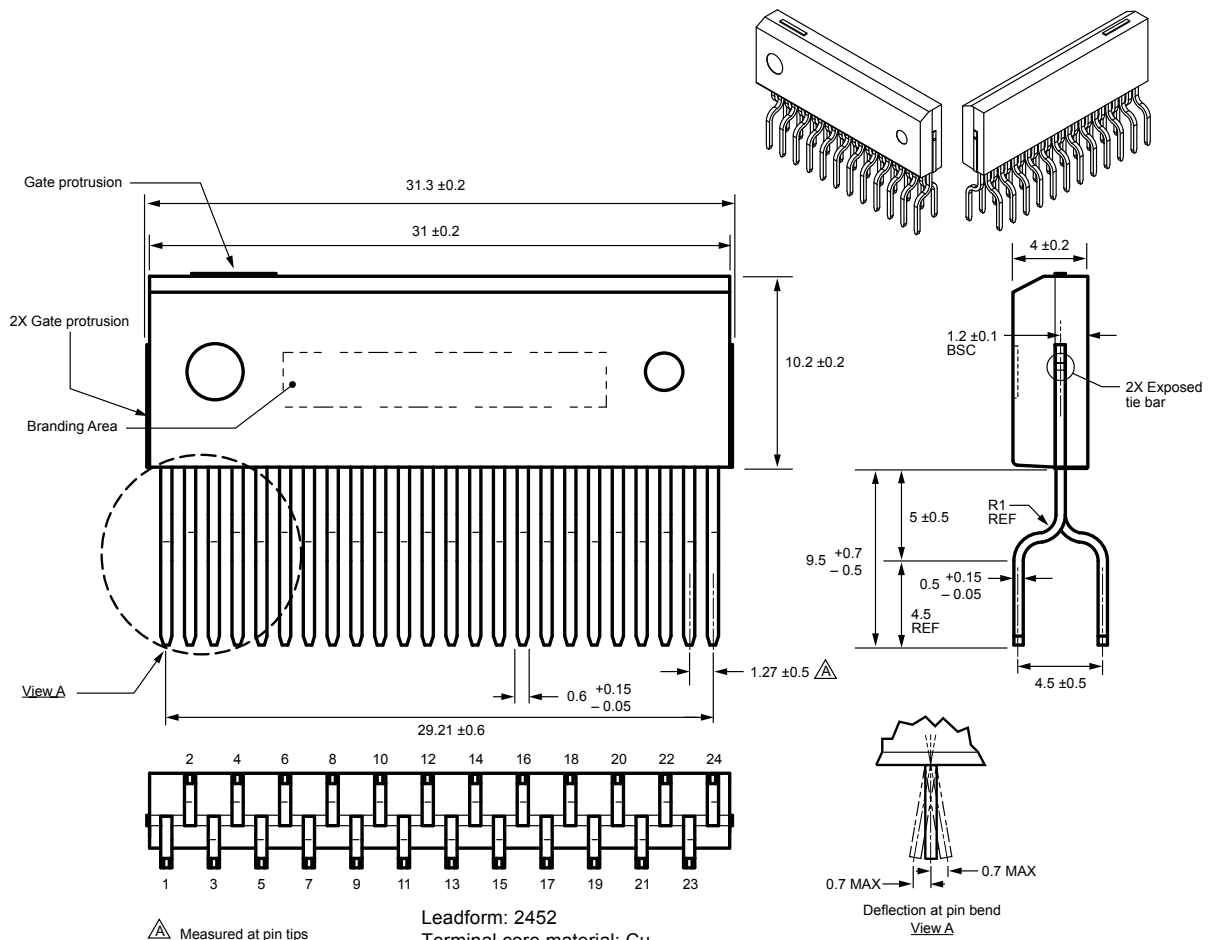
1st line, lot: YMDD#
Where: Y is the last digit of the year of manufacture
M is the month (1 to 9, O, N, D)
DD is the date
is the tracking letter
2nd line, type: SMA686xMZ



Leadframe plating Pb-free. Device composition complies with the RoHS directive.

Package Outline Drawing
Leadform 2452

Dual rows, 24 alternating pins; vertical case mounting; pin #1 opposite chamfer side



△ Measured at pin tips

Leadform: 2452
Terminal core material: Cu
Terminal plating: Ni
Recommended attachment: Solder dip (Sn-Ag-Cu)

Dimensions in millimeters
Branding codes (exact appearance at manufacturer discretion):

1st line, lot: YMDD#
Where: Y is the last digit of the year of manufacture
M is the month (1 to 9, O, N, D)
DD is the date
is the tracking letter
2nd line, type: SMA686xMZ



Leadframe plating Pb-free. Device composition complies with the RoHS directive.

Because reliability can be affected adversely by improper storage environments and handling methods, please observe the following cautions.

Cautions for Storage

- Ensure that storage conditions comply with the standard temperature (5°C to 35°C) and the standard relative humidity (around 40 to 75%); avoid storage locations that experience extreme changes in temperature or humidity.
- Avoid locations where dust or harmful gases are present and avoid direct sunlight.
- Reinspect for rust on leads and solderability of products that have been stored for a long time.

Cautions for Testing and Handling

When tests are carried out during inspection testing and other standard test periods, protect the products from power surges from the testing device, shorts between adjacent products, and shorts to the heatsink.

Remarks About Using Silicone Grease with a Heatsink

- When silicone grease is used in mounting this product on a heatsink, it shall be applied evenly and thinly. If more silicone grease than required is applied, it may produce stress.
- Volatile-type silicone greases may permeate the product and produce cracks after long periods of time, resulting in reduced heat radiation effect, and possibly shortening the lifetime of the product.
- Our recommended silicone greases for heat radiation purposes, which will not cause any adverse effect on the product life, are indicated below:

Type	Suppliers
G746	Shin-Etsu Chemical Co., Ltd.
YG6260	Momentive Performance Materials
SC102	Dow Corning Toray Silicone Co., Ltd.

Soldering

- When soldering the products, please be sure to minimize the working time, within the following limits:
260±5°C 10 s
380±5°C 5 s
- Soldering iron should be at a distance of at least 1.5 mm from the body of the products

Electrostatic Discharge

- When handling the products, operator must be grounded. Grounded wrist straps worn should have at least 1 MΩ of resistance to ground to prevent shock hazard.
- Workbenches where the products are handled should be grounded and be provided with conductive table and floor mats.
- When using measuring equipment such as a curve tracer, the equipment should be grounded.
- When soldering the products, the head of soldering irons or the solder bath must be grounded in order to prevent leak voltages generated by them from being applied to the products.
- The products should always be stored and transported in our shipping containers or conductive containers, or be wrapped in aluminum foil.

-
- The contents in this document are subject to changes, for improvement and other purposes, without notice. Make sure that this is the latest revision of the document before use.
 - Application and operation examples described in this document are quoted for the sole purpose of reference for the use of the products herein and Sanken can assume no responsibility for any infringement of industrial property rights, intellectual property rights or any other rights of Sanken or any third party which may result from its use.
 - Although Sanken undertakes to enhance the quality and reliability of its products, the occurrence of failure and defect of semiconductor products at a certain rate is inevitable. Users of Sanken products are requested to take, at their own risk, preventative measures including safety design of the equipment or systems against any possible injury, death, fires or damages to the society due to device failure or malfunction.
 - Sanken products listed in this document are designed and intended for the use as components in general purpose electronic equipment or apparatus (home appliances, office equipment, telecommunication equipment, measuring equipment, etc.).

When considering the use of Sanken products in the applications where higher reliability is required (transportation equipment and its control systems, traffic signal control systems or equipment, fire/crime alarm systems, various safety devices, etc.), and whenever long life expectancy is required even in general purpose electronic equipment or apparatus, please contact your nearest Sanken sales representative to discuss, prior to the use of the products herein.

The use of Sanken products without the written consent of Sanken in the applications where extremely high reliability is required (aerospace equipment, nuclear power control systems, life support systems, etc.) is strictly prohibited.

- In the case that you use Sanken products or design your products by using Sanken products, the reliability largely depends on the degree of derating to be made to the rated values. Derating may be interpreted as a case that an operation range is set by derating the load from each rated value or surge voltage or noise is considered for derating in order to assure or improve the reliability. In general, derating factors include electric stresses such as electric voltage, electric current, electric power etc., environmental stresses such as ambient temperature, humidity etc. and thermal stress caused due to self-heating of semiconductor products. For these stresses, instantaneous values, maximum values and minimum values must be taken into consideration.

In addition, it should be noted that since power devices or IC's including power devices have large self-heating value, the degree of derating of junction temperature affects the reliability significantly.

- When using the products specified herein by either (i) combining other products or materials therewith or (ii) physically, chemically or otherwise processing or treating the products, please duly consider all possible risks that may result from all such uses in advance and proceed therewith at your own responsibility.
- Anti radioactive ray design is not considered for the products listed herein.
- Sanken assumes no responsibility for any troubles, such as dropping products caused during transportation out of Sanken's distribution network.
- The contents in this document must not be transcribed or copied without Sanken's written consent.