

CMKD6000

75V, 250mA Dual Pair In Series Ultra Low Leakage Diodes in SOT-363 package



SOT-363

Central Semiconductor's CMKD6000 consists of two pair of electrically isolated, series configured ultra low leakage switching diodes. This device, packaged in the SOT-363, offers a high density energy efficient solution for a variety of portable battery powered applications.

Features:

- Low I_R (400pA @ 75V)
- Low capacitance (2.0pF)
- Forward current ($I_F = 250\text{mA}$)

Applications:

- Hand-held medical devices
- Battery operated equipment
- High speed data line steering
- Voltage multiplier circuits

Benefits:

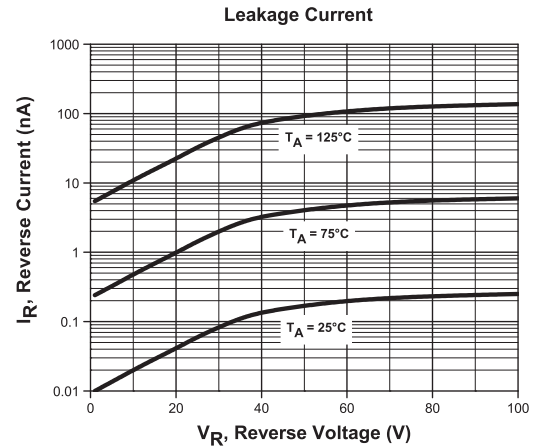
- Device configuration flexibility
- High density
- Reverse leakage optimized for logic levels
- Four diodes in the SOT-363 package



New
SMD
SELECTION
GUIDE

Order your selection guide today.
Visit: web.centrasemi.com/search/sample.php

Typical Electrical Characteristics



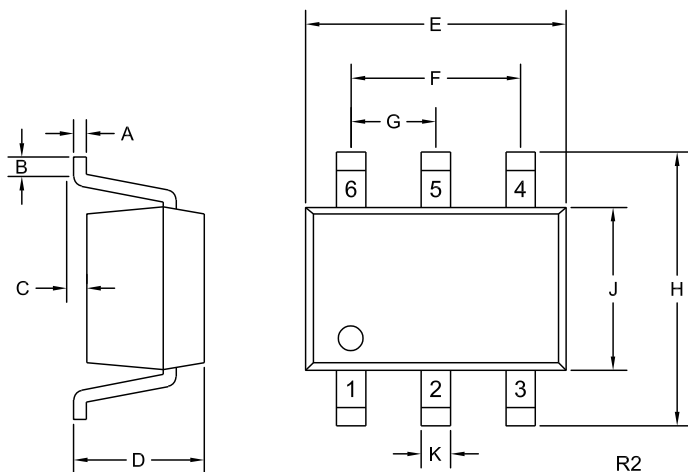
Samples and Literature



To order samples of this device visit:
www.centrasemi.com/info/CMKD6000

Electrical Characteristics ($T_A = 25^\circ\text{C}$ unless otherwise noted)									Thermal Characteristics			
V_{RRM}	I_F	V_F		@ I_F	I_R		@ V_R	t_{rr}	C_T	P_D	T_J, T_{stg}	Θ_{JA}
(V) MAX	(mA) MAX	(V) TYP	(V) MAX	(mA)	(pA) TYP	(pA) MAX	(V)	(μs) MAX	(pF) MAX	(mW) MAX	($^\circ\text{C}$) MAX	($^\circ\text{C}/\text{W}$) MAX
100	250	0.77 0.85 0.96	0.85 0.95 1.1	1.0 10 100	400	500	75	3.0	2.0	250	-65 to +150	500

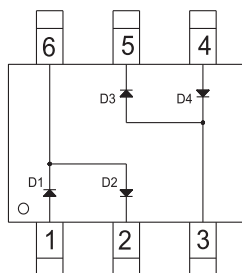
Mechanical Drawing - SOT-363



SYMBOL	DIMENSIONS			
	INCHES		MILLIMETERS	
	MIN	MAX	MIN	MAX
A	0.004	0.010	0.10	0.25
B	0.005	-	0.12	-
C	0.000	0.004	0.00	0.10
D	0.031	0.043	0.80	1.10
E	0.071	0.087	1.80	2.20
F	0.051		1.30	
G	0.026		0.65	
H	0.075	0.091	1.90	2.30
J	0.043	0.055	1.10	1.40
K	0.006	0.012	0.15	0.30

SOT-363 (REV: R2)

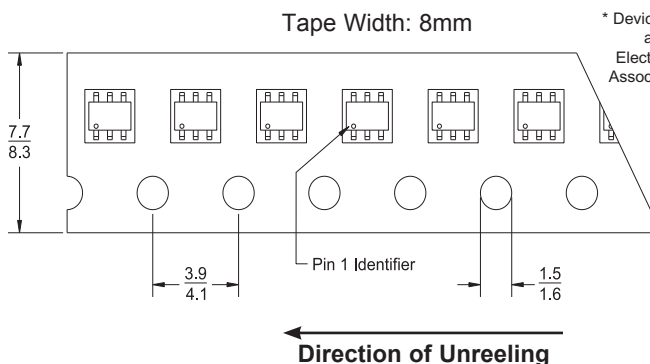
Lead Code



- 1) Anode D1
- 2) Cathode D2
- 3) Anode D3, Cathode D4
- 4) Anode D4
- 5) Cathode D3
- 6) Cathode D1, Anode D2

MARKING CODE:
CK0

Tape Dimensions and Orientation (Dimensions in mm)



* Devices are taped in accordance with Electronic Industries Association Standard EIA-481-1-A

Packaging Base / Ordering Information

Reel Size	Quantity	Central Item No.
7"	3,000	CMKD6000 TR

Reel Packing Information

Reel Size	Reels per Box (Maximum)	Parts per Box (Maximum)	Box Dimensions		Shipping Weight (Max.)	
			INCH	CM	LB	KG
7"	9	27,000	9x9x5	23x23x13	3	2
	18	54,000	9x9x9	23x23x23	6	3
	40	120,000	21x9x9	53x23x23	13	6
	108	324,000	27x9x17	69x23x43	34	16

Sample devices available upon request. To order samples of this device visit: www.centrasemi.com/info/CMKD6000



Innovative Discrete Semiconductors

For further information contact:
Sales at Central Semiconductor Corp.
(631) 435-1110 or visit our website at:
www.centrasemi.com