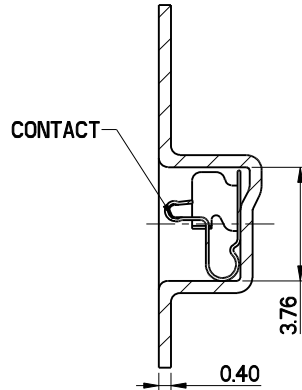
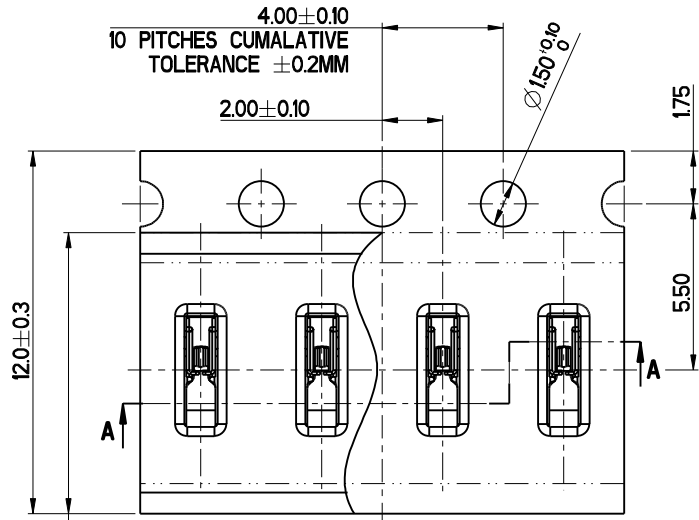


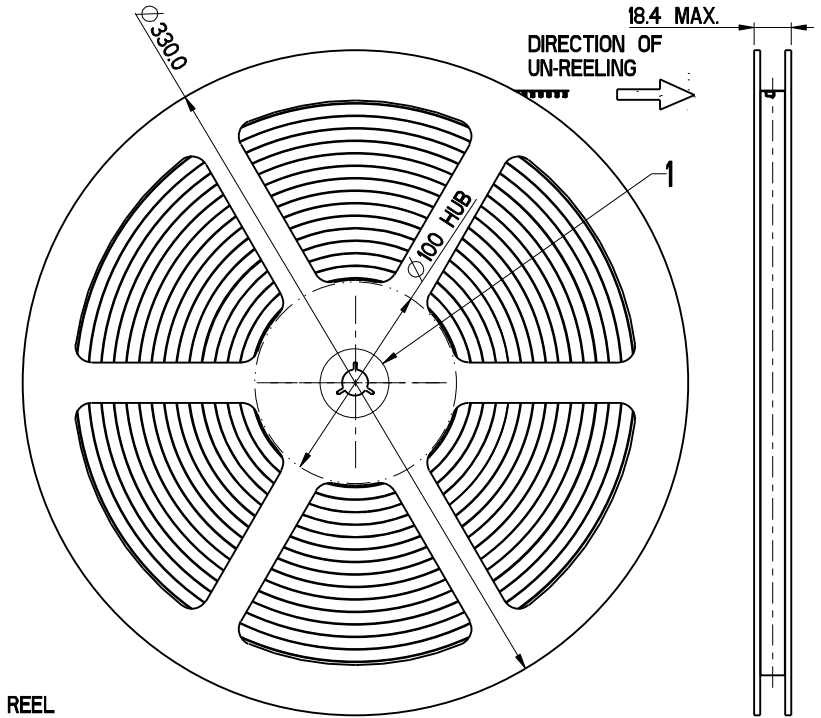
- NOTE:**
1. MATERIAL : TITANIUM COPPER 0.1 THICK
 2. FINISH: NICKEL UNDERPLATE 1.0/3.0 MICRONS
 3. PRE-LOAD FORCE: 0.35 N * CONTACT POINT
 4. FORCE * MAXIMUM DEFLECTION: 0.78 N * CONTACT POINT
 5. RINGED DIMENSIONS AND GEOMETRIC TOLERANCE ARE CRITICAL.

DO NOT SCALE						A3/B	
Drawn	BILLS	18-OCT-11	Material:	<p>ITT Industries Toupandun Industrial Area, Jinda Cheng, Xiner Village, Shajing Town, Baoan District, Shenzhen City PRC 518125</p>	Pro/E Generic Model		
Checked	PL	18-OCT-11	SEE NOTES 1		Title		
Engineer	BILLS	18-OCT-11			MICRO UNIVERSAL CONTACT Z 2.5mm		
Manufact.	-	-					
Assembly	-	-	Treatment:				
Quality	-	-		Ref: ""	Scale 20:1	Sheet 1 of 2	iss/rev
Approvals	Sign	Date	Dimensions in: mm	Cust Spec No:	Drwg. No. CU-120220-0312		B

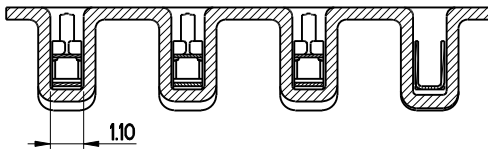
This is issued in strict confidence on condition that it is not used as a basis for manufacture or sale and that it is not copied, reprinted or disclosed to a third party either wholly or in part without the prior written consent of ITT Industries © 24-May-05



SECTION B-B



9.3 ANTI-STATIC COVER TAPE
POLYESTER - 0.025 THICK
PRESSURE SEAL

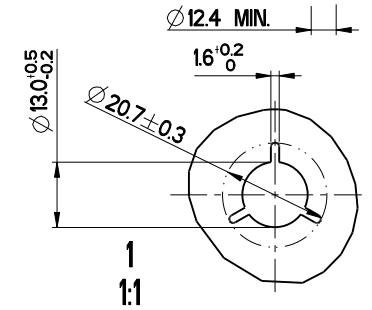
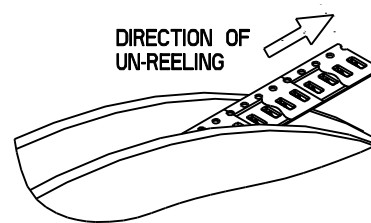


SECTION A-A

- NOTES:
1, UNSPECIFIED INTERNAL RADII R0.2 MM MAX.
2, CARRIER TAPE MATERIAL - BLACK CONDUCTIVE POLYSTYRENE.

PACKAGING DETAILS

- 1) 6000 PCS TO BE PACKED PER REEL
- 2) LEADER : 400 MM
- 3) TRAILER : 160 MM
- 4) REEL MATERIAL - BLACK ANTI-STATIC POLYSTYRENE



DO NOT SCALE							A3/B		
Drawn	BILLS	13-JUL-11	Material:	 3rd ANGLE PROJECTION Surface Roughness Unless Specified	 ITT Industries Cannon Electronics (SZ) Co. Ltd.	Toupandun Industrial Area, Jinda Cheng, Xiner Village, Shajing Town, Baoan District, Shenzhen City PRC 518125		Pro/E Generic Model	
Checked	PL	13-JUL-11	SEE NOTES 1			Title		MICRO UNIVERSAL CONTACT Z 2.5mm	
Engineer	BILLS	13-JUL-11				Scale 1:1		Sheet 2 of 2	
Manufact.	-	.	Treatment:			Drwg. No. 120220-0312		iss/rev B	
Assembly	-	.	Dimensions in: mm	Cust Spec No:					
Quality	-	.							
Approvals	Sign	Date							

This is issued in strict confidence on condition that it is not used as a basis for manufacture or sale and that it is not copied reprinted or disclosed to a third party either wholly or in part without the prior written consent of ITT Industries © 24-May-05