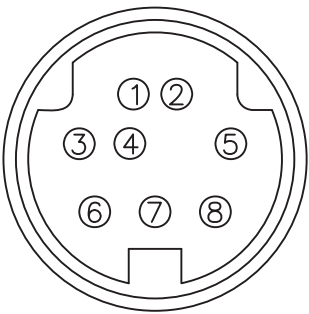
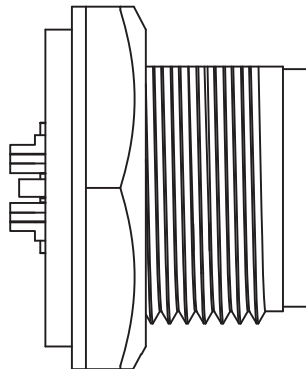
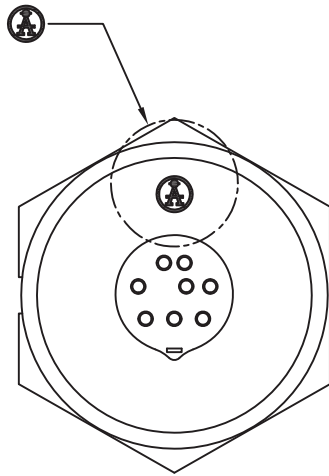


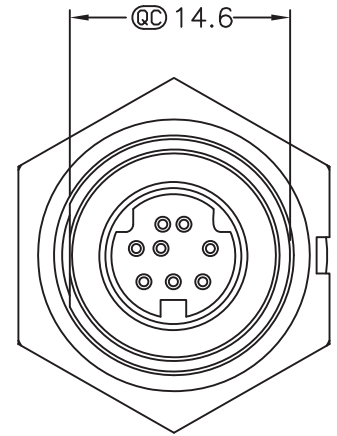
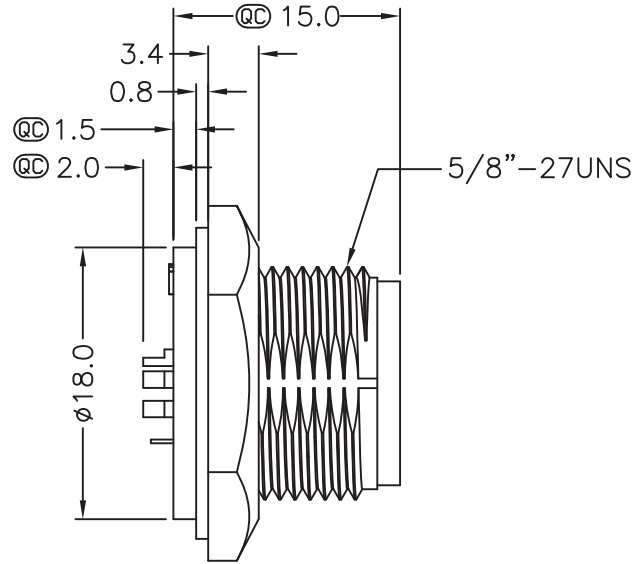
Recommended Panel Cut-Out



Pin Assignments
Front View



Gasket Nut



Material:

- Waterproof Rate: IP67
- Connector: Mini DIN 8 pin female
- Nut: Nylon+GF
- Gasket: EPDM
- For panel thickness Max 4.0M
- Rated temperature: -20°C~+80°C

QC Quality Control: Important Dimension to check

Unit: mm



Scale	1:1						Date	Name	Title Waterproof Mini DIN connector Male conn./Female pin, 8 pin, Panel mount	
TOLERANCE						Drawn	06.03.14	Wilson		
X.X	±0.40					Approved	06.03.14	Groll	ASSMANN WSW-No.	
X.XX	±0.25								A-MD-08PMFS-WP	
X.XXX	±0.15								Drawing-No.	
DIM	TOL					ASSMANN WSW components			ASS 6242 CO	rev00
X.°	±3°							Replace	Sheet	
X.X°	±X°								1/1	
Angle	TOL	Id.	Modification	Date	Name	1840 W. Drake Drive, Suite 101 • Tempe, AZ 85283 Toll Free: 1-877-277-6266 • Email: info@assmann.us				



1840 W. Drake Drive, Suite 101 • Tempe, AZ 85283
Toll Free: 1-877-277-6266 • Email: info@assmann.us