

KR Electronics, Inc.

General Description

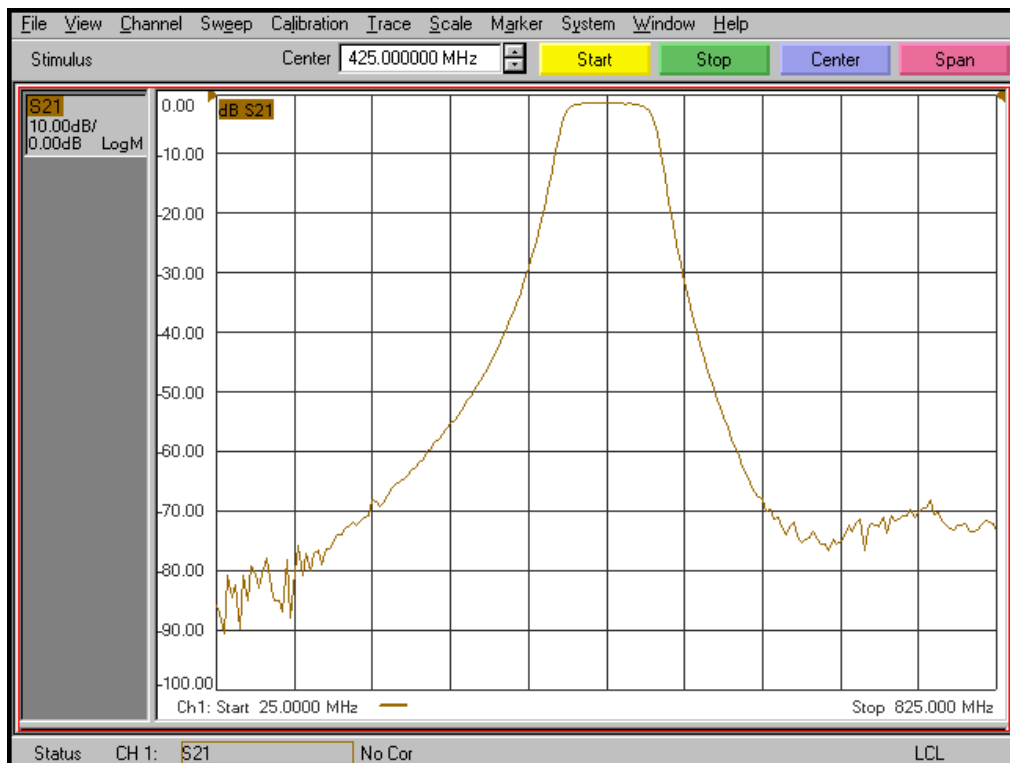
KR Electronics part number 3079 is a 425 MHz bandpass filter. The filter has a minimum 1 dB bandwidth of 70 MHz. Other center frequencies and bandwidths are available. Please consult the factory.

Features

- 425 MHz Bandpass Filter
- 70 MHz min 1 dB Bandwidth
- 50 Ω Source and Load
- Surface mount
- Also available with SMA Connectors

Typical Performance

Overall Response
(10 dB/div)

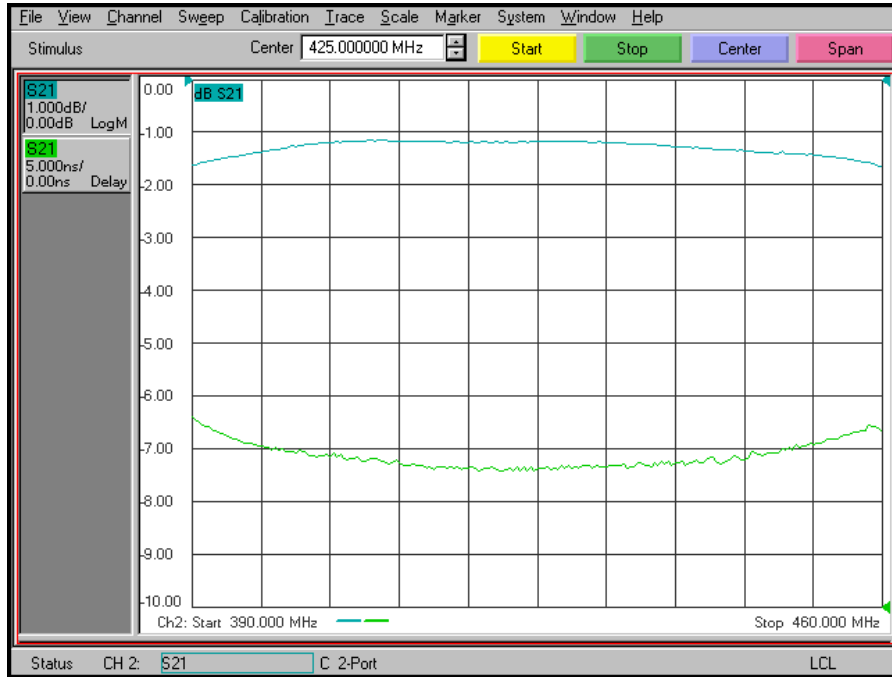


KR Electronics, Inc.
91 Avenel Street
Avenel, NJ 07001

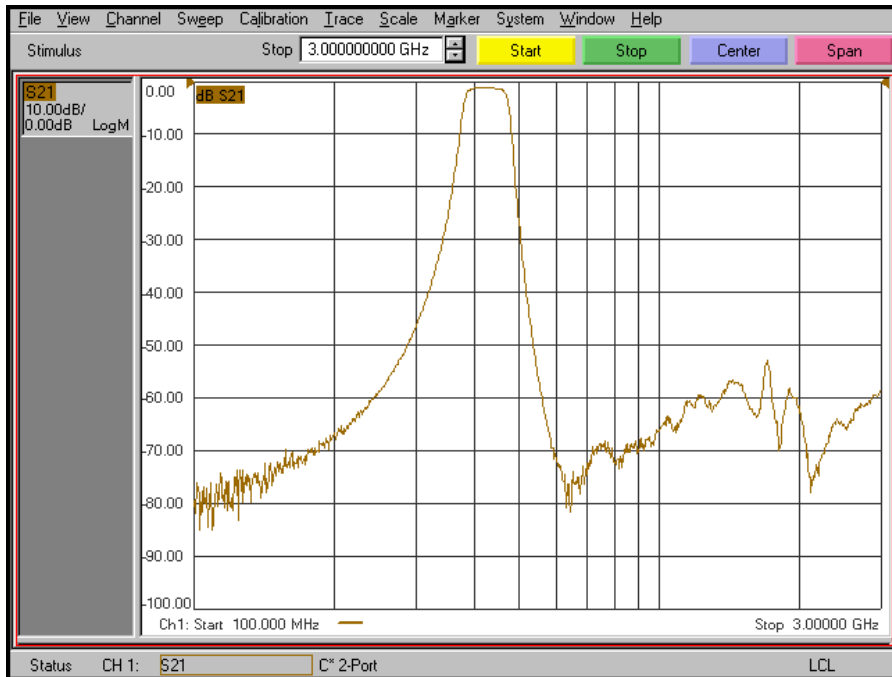
Web www.krfilters.com
Email sales@krfilters.com
Phone (732) 636-1900
Fax (732) 636-1982

KR Electronics 3079

Passband Amplitude & Group Delay (1 dB/div & 5 nsec/div)



Overall Response (10 dB/div)



KR Electronics, Inc.
91 Avenel Street
Avenel, NJ 07001

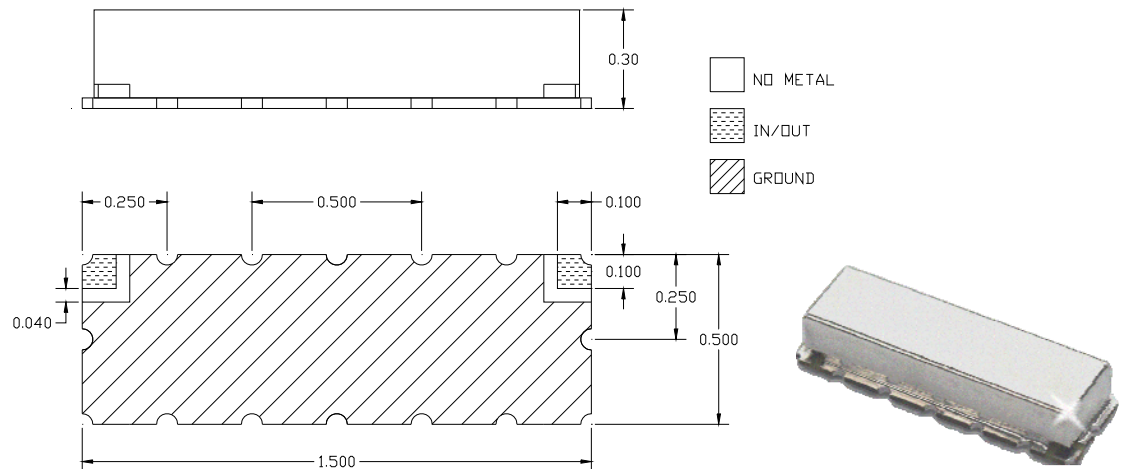
Web www.krfilters.com
Email sales@krfilters.com
Phone (732) 636-1900
Fax (732) 636-1982

KR Electronics 3079

Specifications

Parameter	Specification	
Filter type	Bandpass	
Center Frequency	425 MHz	
Insertion Loss at Center Frequency	3 dB max	1.25 dB typical
1 dB Bandwidth	70 MHz min	80 MHz typical
3 dB Bandwidth	93 MHz typical	
40 dB Bandwidth	205 MHz typical	
60 dB Bandwidth	325 MHz typical	
Source and Load	50 Ω	

Physical Dimensions



Notes:

1. Surface mount package
2. Dimensions in inches
3. Max reflow temperature 230° C for 10 sec
4. If boards are cleaned after installation units must be completely dried
5. Can be supplied in case with SMA connectors

KR Electronics, Inc.
 91 Avenel Street
 Avenel, NJ 07001

Web www.krfilters.com
 Email sales@krfilters.com
 Phone (732) 636-1900
 Fax (732) 636-1982