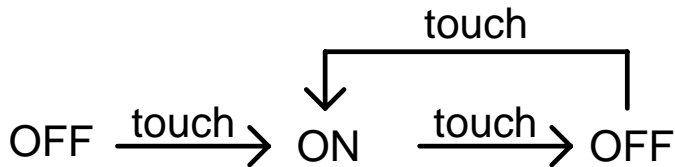




TT6061BB/TT6061BS PRODUCT SPECIFICATION

GENERAL DESCRIPTION :

TT6061BB/TT6061BS IC IS A KIND OF CMOS TECHNOLOGY PERMITTED TO DESIGN OFF/ON TOUCH-DIMMER. THE DETAILED FUNCTIONS ARE AS FOLLOW :



PIN ASSIGNMENT

PIN NO.	PIN NAME	FUNCTION DESCRIPTION	I/O
1	CK	SYSTEM CLOCK INPUT	I
2	FI	60 OR 50 HZ LINE FREQUENCY	I
3	VDD	POWER INPUT PIN FOR VDD	P
4	TI	TOUCH INPUT	B
5	CI	SENSOR CONTROL INPUT	B
6	NC		
7	VSS	POWER INPUT PIN FOR VSS	P
8	AT	ANGLE-TRIGGER OUTPUT	O

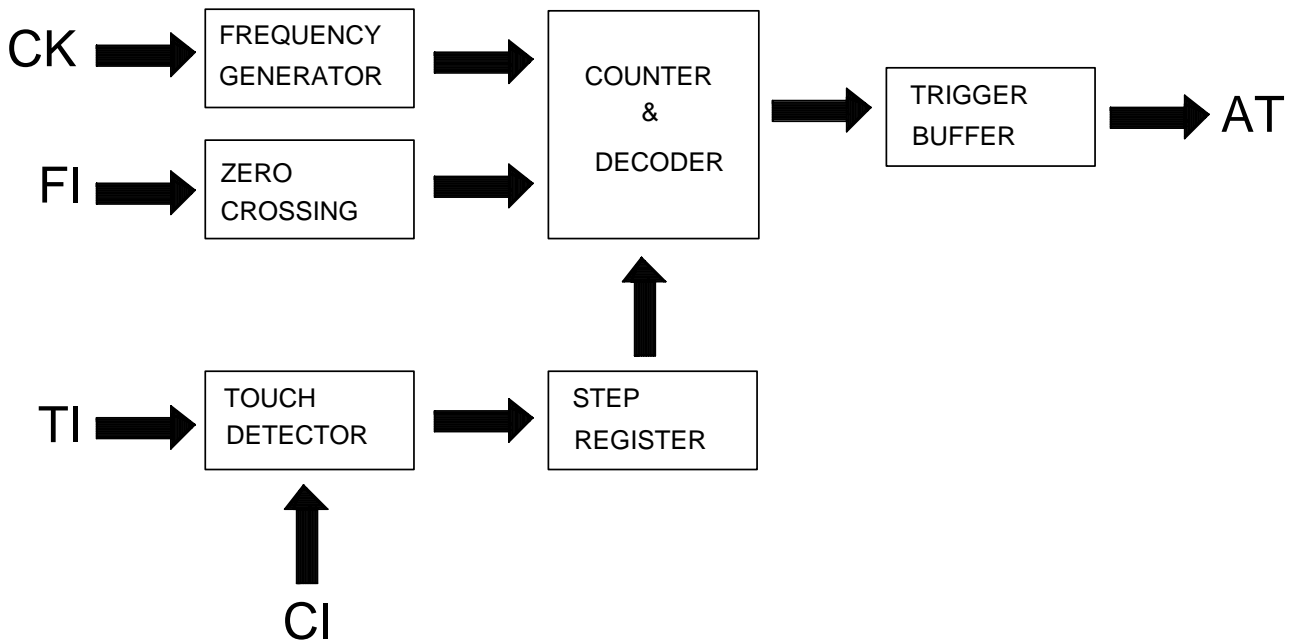
FEATURES :

1. NO MECHANICALLY SWITCH ELEMENTS.
2. HIGH SENSITIVITY AND STABILITY FOR LONG CONNECTING WIRE AND HEAVY LOADING (800pf) ON SENSE-PLATE FOR HUMAN BODY CAPACITY = 50pf
3. VERY SMALL NUMBER OF PERIPHERAL COMPONENTS REQUIRED

OPERATING PARAMETER :

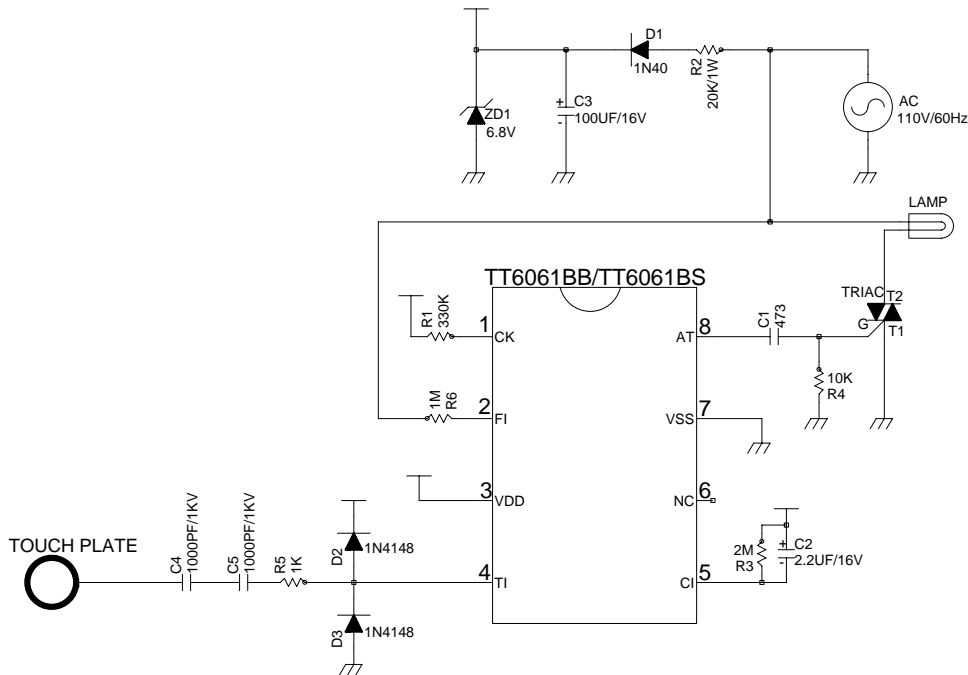
1. OPERATING VOLTAGE(VDD) : 6.8 V
2. OPERATING CURRENT : ≤ 1.0 mA
3. TRIGGER OUTPUT CURRENT (AT PIN) : ≤ -30 mA (Vout=1.0V)
4. INPUT LEAKAGE : ≤ 0.5 μ A
5. VOLTAGE INPUT RANGE : (VSS - 0.3V) <-> (VDD + 0.3V)
6. OPERATING TEMPERATURE : 0°C ~ 80°C
7. STORAGE TEMPERATURE : -20°C ~ 120°C

TT6061BB/TT6061BS BLOCK DIAGRAM



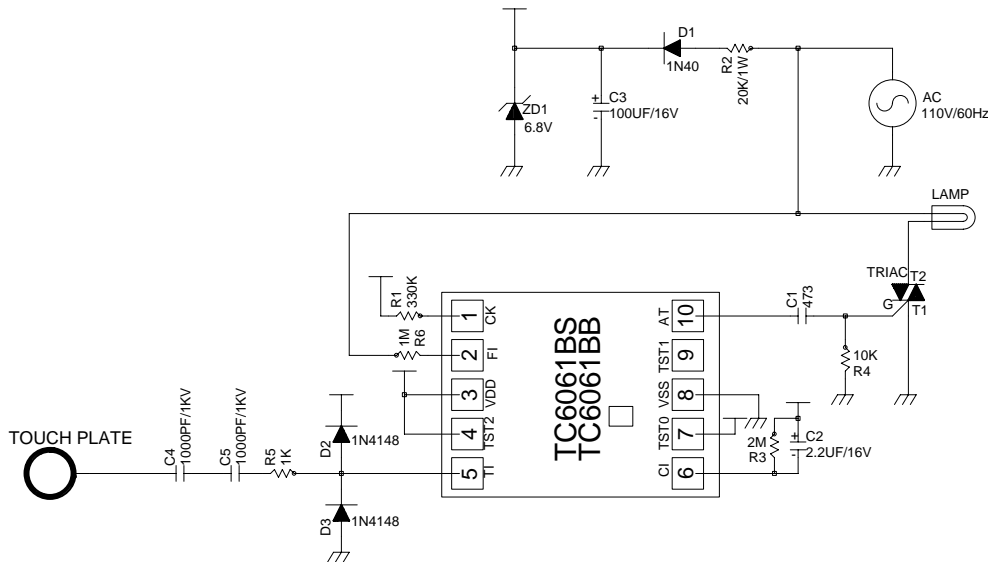


TT6061BB/TT6061BS RECOMMEND APPLICATION DIAGRAM



NOTE : FOR 220V/50HZ :
 CHANGE R1 330K TO 390K (FOR 60HZ CHANGE TO 50HZ)
 CHANGE R2 20K/1W TO 39K/2W (FOR 110V CHANGE TO 220V)
 CHANGE R6 1M TO 2M (FOR 110V CHANGE TO 220V)

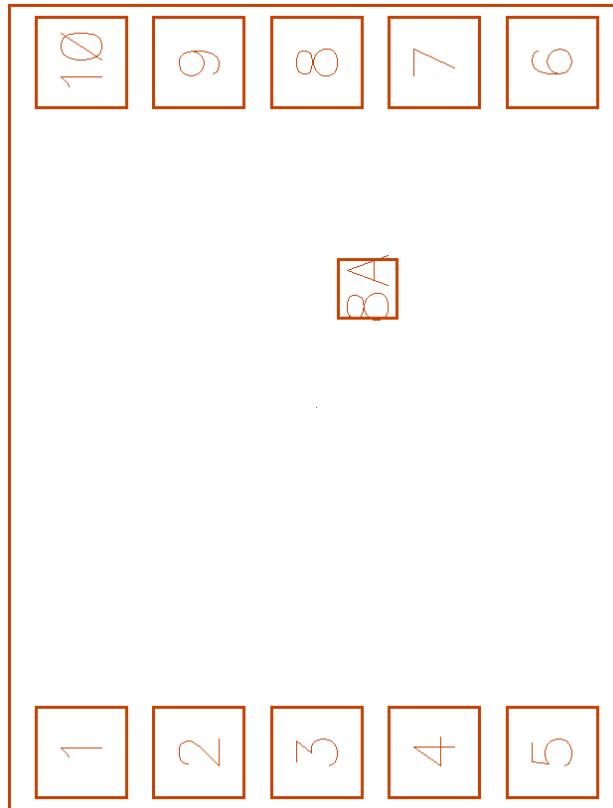
TC6061BB/TC6061BS RECOMMEND APPLICATION DIAGRAM



NOTE : FOR 220V/50HZ :
 CHANGE R1 330K TO 390K (FOR 60HZ CHANGE TO 50HZ)
 CHANGE R2 20K/1W TO 39K/2W (FOR 110V CHANGE TO 220V)
 CHANGE R6 1M TO 2M (FOR 110V CHANGE TO 220V)



TC6061BB/TC6061BS Pad diagram and coordinate



CHIP SIZE = 690um X 880um

PIN NO.	PIN NAME	X=	Y=
1	CK	-244.00	-343.30
2	FI	-122.00	-343.30
3	VDD	0.00	-343.30
4	TST2	122.00	-343.30
5	TI	244.00	-343.30
6	CI	244.00	343.25
7	TST0	122.00	343.25
8	VSS	0.00	343.25
9	TST1	-122.00	343.25
10	AT	-244.00	343.25



ORDER INFORMATION

- a. Package form: DIP 8PIN TT6061BB
SOP 8PIN TT6061BS
- b. Chip form: TC6061BB
TC6061BS
- c. Wafer base: TD6061BB
TD6061BS

REVISE HISTORY

- 1. 2009/05/11
-Original version : V_1.0
- 1. 2013/05/29 : V2.0
-Add the TT6061BS