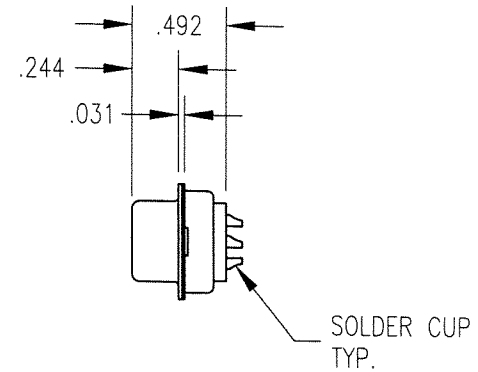
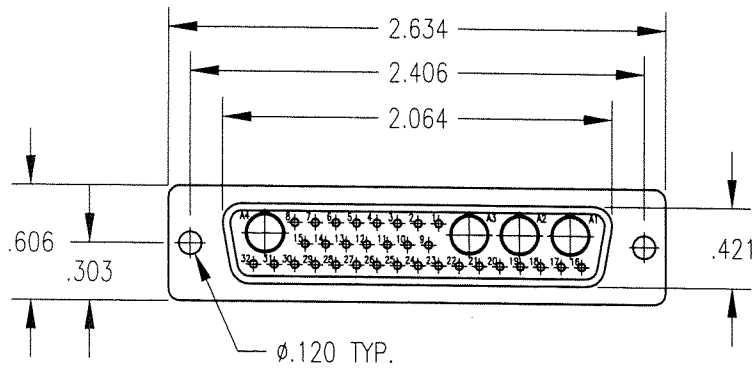
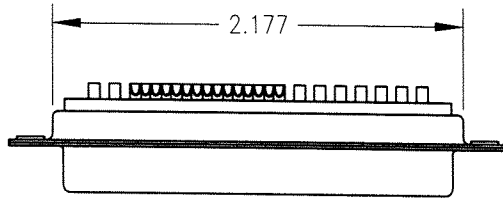


DWG. NO.		RM36W4S-50-TB	
REV	DESCRIPTION	BY DATE	APPD
B	ECR 6567	JWH 10/21/00	JWH 1/17



NOTES:

- MATERIALS:
SHELL: STEEL PER ASTM A568
INSULATOR: GLASS FILLED POLYESTER
SIGNAL CONTACTS: COPPER ALLOY PER ASTM B455
- FINISH:
SHELL: TIN PLATE PER ASTM B545
INSULATOR: GREEN
SIGNAL CONTACTS: .000030 MIN. GOLD PER MIL-G-45204 OVER NICKEL
- CONTACT ARRANGEMENT:
(32) SIGNAL CONTACTS, SOLDER CUP TYPE (SUPPLIED IN HOUSING)
(4) COAX OR POWER CONTACTS (NOT SUPPLIED)

PER ASME Y14.5M-1994 UNLESS OTHERWISE SPECIFIED: DIMENSIONS ARE IN INCHES (MM)		Litton	
TOLERANCES: DECIMALS .xx ± .01/0.254 xxx ± .005/0.127 ANGLES ± 2'		Winchester/Retconn 400 Park Road Waterford, Connecticut 06795	
SCALE: 1:1		TITLE	
CUSTOMER DRAWING		36W4S D-SUB CONNECTOR	
DRAWN JED	DATE 9/5/00	CHECKED JWH	DATE 9/6/00
APPROVED JMC	DATE 9/6/00	APPROVED KJT	DATE 9/6/00
A	RM36W4S-50-TB	SHT. 1	OF 1
		REV. B	