



POB19-12D-9733B-2 POB19-24D-9733B-2

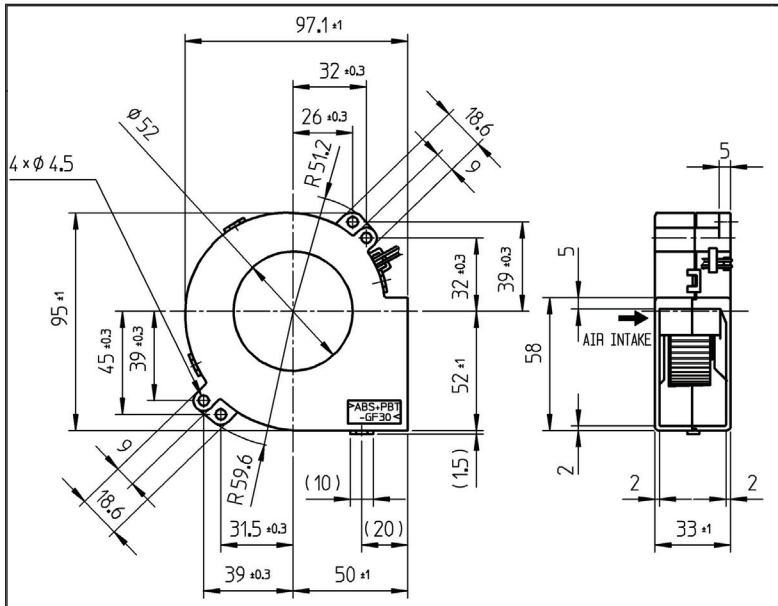
Features

- Size:** 97 x 95 x 33 mm (3.88" x 3.8" x 1.32")
- Tolerance:** ± 0.5 mm
- Airflow:** 18.7 CFM
- Lead Wire:** 26 AWG (UL1061)
- Impeller/Housing:** PBT/ABS (Black)
- Motor:** Brushless DC Motor (Auto Reset Current Shut Down by Detecting Locked Motor Condition)
- Bearings:** Double Sealed Ball
- RoHS:** Lead Free
- Safety Approval:** UL, CSA

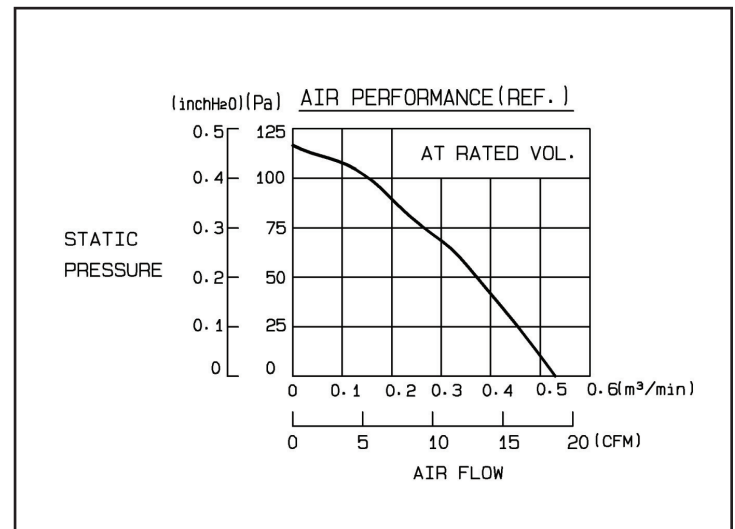
 UL E101153

 CUL LR62263

Dimensions – inches mm



Air Flow vs. Air Pressure



Absolute Maximum Ratings

Type	Rated Voltage (V)	Operating Frequency (Hz)	Input Power (W) (@ 60 Hz)	Max Air Flow (CFM)	Max Air Pressure (in H2)	Max Noise* (dB)	Operating Temperature (°C)	Life Expectancy (Hr) (@ 40 °C)
POB19-12D-9733B-2	12	50/60	12	18.7	0.47	43	-20 ~ +60	100,000
POB19-24D-9733B-2	24	50/60	12	18.7	0.47	43	-20 ~ +60	100,000

*Measured 1 m from intake