



40 dB Gain, 2 dB NF, 13 dBm P1dB, 18 GHz to 26.5 GHz  
Low Noise Broadband Amplifier, 22 dBm IP3, 2.92 mm

**TECHNICAL DATA SHEET**

**PE15A3260**

PE15A3260 is a Broadband High Gain GaAs PHEMT MMIC-based 18 GHz frequency range. The amplifier offers 2 dB Noise Figure, gain flatness of ±1.0 dB, along with 22 dBm IP3 performance. This unconditionally stable, operates over the temperature range -40 to +85°C in a small size (1.5" x 1.0" x 0.4").

**Features**

- 18 to 26.5 GHz Frequency Range
- Noise Figure: 2 dB typ
- Small Signal Gain: 40 dB typ
- Gain Flatness: ±1.0 dB typ
- Gain Variation Over the Temperature Range: ±0.5 dB typ
- P1dB: +13 dBm typ
- 50 Ohm Input and Output Match
- Unconditionally Stable
- Operation Over the Temperature Range: -40 to +85°C
- Built-in DC Voltage Regulator
- Small Size and Lightweight

**Applications**

- Laboratory Applications
- R&D Labs
- Electromagnetic Interference (EMI) Testing
- Telecom Infrastructure
- Test Instrumentation
- Military & Space
- Communication Systems
- Satellite Communication
- Wireless Communication Front Ends
- Unmanned Systems

Electrical Specifications: DC Voltage = 12 Volts, DC Current = 180 mA

Description	Minimum	Typical	Maximum	Units
Frequency Range	18		26.5	GHz
Gain	38	40	43	dB
Gain Flatness		±1	±1.5	dB
Gain Variance at OTR*		±1		dB
Output at 1 dB Compression Point		+13		dBm
Output Intercept Point	+20	+22		dBm
Reverse Isolation	55	60		dB
Spurious		-60		dBc
Noise Figure		2	2.5	dB
Input VSWR		1.5:1	1.8:1	
Output VSWR		1.5:1	1.8:1	
Operating DC Voltage	10	12	15	Volts
Operating DC Current	150	180	220	mA
Operating Temperature Range (OTR)			+85	°C

\* OTR= Base Plate Operating Temperature Range

Click the following link (or enter part number in "SEARCH" field) to view the product page: [40 dB Gain, 2 dB NF, 13 dBm P1dB, 18 GHz to 26.5 GHz Low Noise Broadband Amplifier, 22 dBm IP3, 2.92 mm PE15A3260](#)





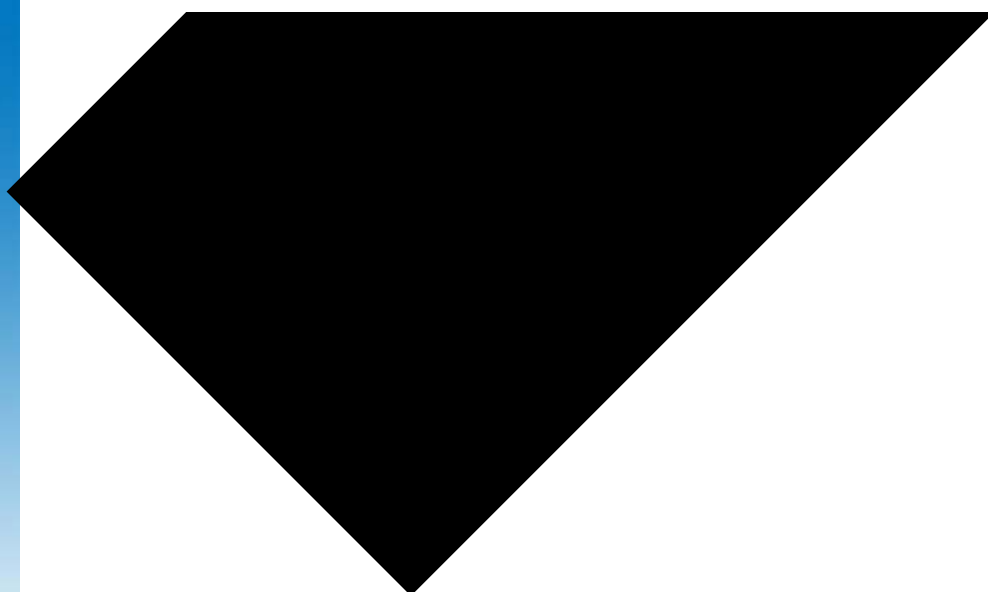
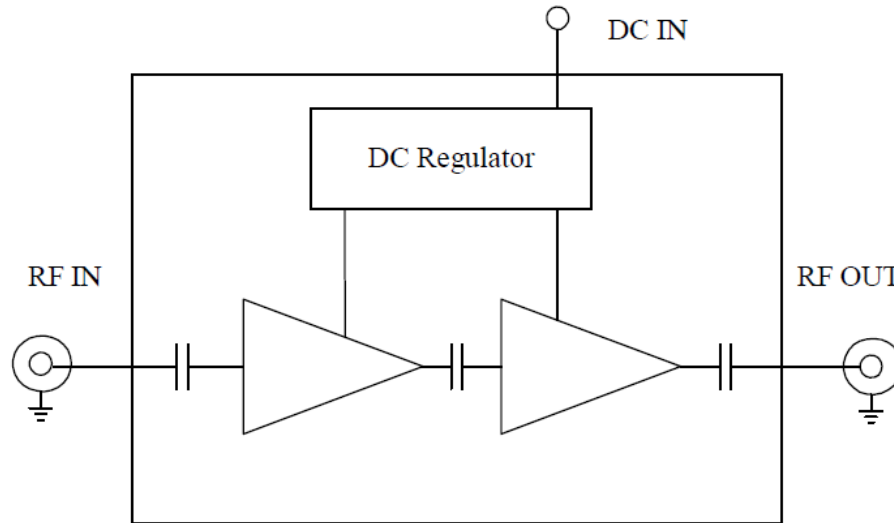


40 dB Gain, 2 dB NF, 13 dBm P1dB, 18 GHz to  
Low Noise Broadband Amplifier, 22 dBm IP3,

TECHNICAL DATA SHEET

PE15A3260

Functional Block Diagram



Click the following link (or enter part number in "SEARCH  
inventory and 40 dB Gain, 2 dB NF, 13 dBm P1dB, 18 GHz to  
22 dBm IP3, 2.92 mm PE15A3260



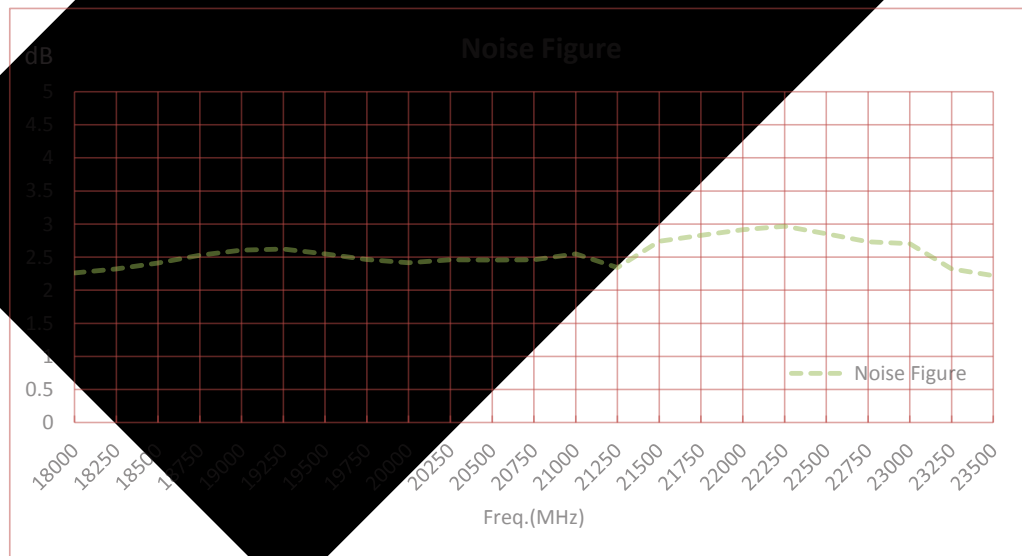
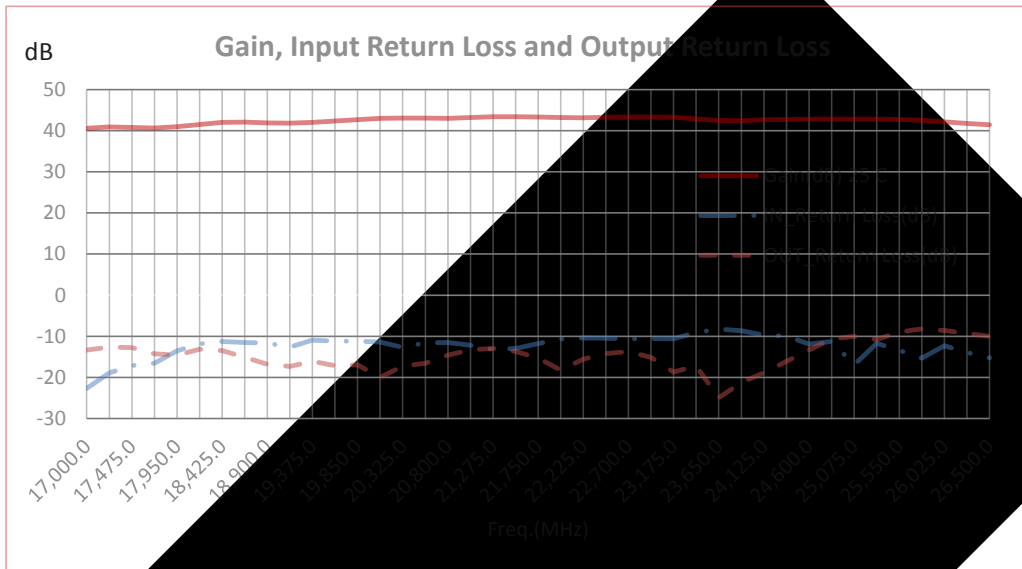


40 dB Gain, 2 dB NF, 13 dBm P1dB, 18 GHz to 26 GHz  
Low Noise Broadband Amplifier, 22 dBm IP3, 2.92 mm

TECHNICAL DATA SHEET

PE15A3260

Typical Performance Data



Click the following link (or enter part number in "SEARCH" field) to view the product page: [https://www.pasternack.com/Products/40-dB-Gain-2-dB-NF-13-dBm-P1dB-18-GHz-to-26-GHz-Low-Noise-Broadband-Amplifier-22-dBm-IP3-2.92-mm-PE15A3260.aspx](#)





40 dB Gain, 2 dB NF, 13 dBm P1dB, 18 GHz to 26.5 GHz, Low Noise Broadband Amplifier, 22 dBm IP3, 2.92 mm PE15A3260

## TECHNICAL DATA SHEET

PE15A3260

40 dB Gain, 2 dB NF, 13 dBm P1dB, 18 GHz to 26.5 GHz, Low Noise Broadband Amplifier, 22 dBm IP3, 2.92 mm PE15A3260  
Pasternack Enterprises has same day shipment for domestic wave products maintain a 99% availability and are part of

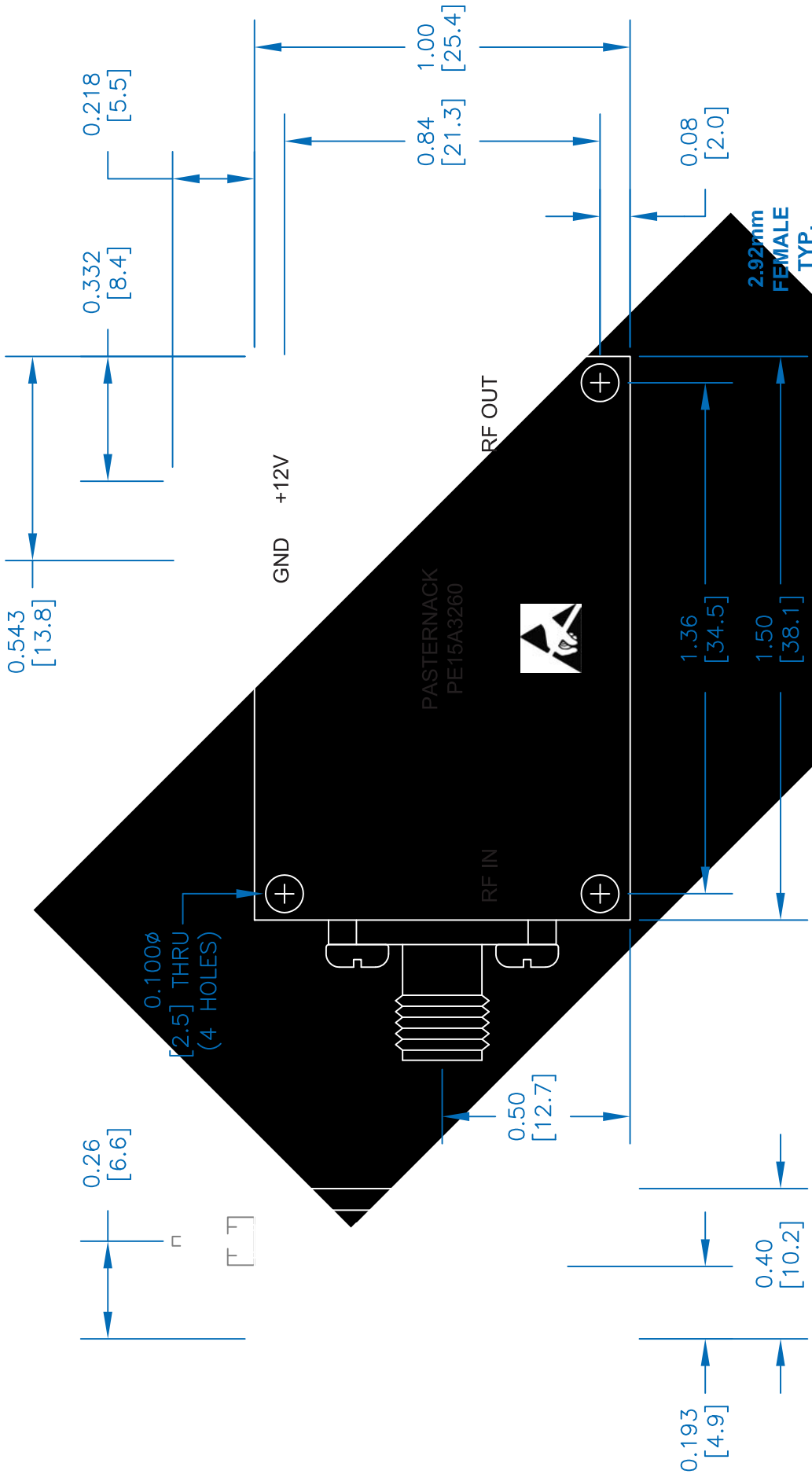
Click the following link (or enter part number in "SEARCH" inventory and click on "Add to Cart") to view the product page for the PE15A3260 Low Noise Broadband Amplifier, 40 dB Gain, 2 dB NF, 13 dBm P1dB, 18 GHz to 26.5 GHz, 22 dBm IP3, 2.92 mm PE15A3260

URL: <http://www.pasternack.com/40-db-gain-2-db-26.5-ghz-low-noise-broadband-amplifier-22-dbm-ip3-2.92-mm-pe15a3260>

The information contained in this document is accurate to the best of our knowledge and representative of the part described herein. It may be necessary to make modifications to the part and/or the documentation of the part, in order to implement improvements. Pasternack reserves the right to make such changes as required. Unless otherwise stated, all specifications are nominal. Pasternack does not make any representation or warranty regarding the suitability of the part described herein for any particular purpose, and Pasternack does not assume any liability arising out of the use of any part or documentation.

# PE15A3260 CAD Drawing

40 dB Gain, 2 dB NF, 13 dBm P1dB, 18 GHz  
Noise Broadband Amplifier, 22 dBm IP3, 2



NOTE:  
HEAT SINK REQUIRED FOR PROPER OPERATION,  
UNIT IS COOLED BY CONDUCTING TO HEAT SINK.

NOTES:  
1. UNLESS OTHERWISE SPECIFIED ALL DIMENSIONS ARE NOMINAL.  
2. ALL SPECIFICATIONS ARE SUBJECT TO CHANGE WITHOUT NOTICE AT ANY TIME.  
3. DIMENSIONS ARE IN INCHES [mm].

DWG TITLE	
<b>PE15A3260</b>	
FSCM NO. 53919	CAD FILE 103114
SCALE N/A	SIZE A
2233	

**PE PASTERNAK**  
THE ENGINEER'S RF SOURCE  
Pasternack Enterprises, Inc.  
P.O. Box 16759 | Irvine | CA | 92623  
Phone: (949) 261-1920 | Fax: (949) 261-7451  
Website: www.pasternack.com | E-Mail: sales@pasternack.com