

### FEATURES

- ❑ 83 MHz Data Rate
- ❑ 12-bit Data and Coefficients
- ❑ On-board Memory for 256 Horizontal and Vertical Coefficient Sets
- ❑ LF Interface™ Allows All 512 Coefficient Sets to be Updated Within Vertical Blanking
- ❑ Selectable 12-bit Data Output with User-Defined Rounding and Limiting
- ❑ Seven 3K x 12-bit, Programmable Two-Mode Line Buffers
- ❑ 16 Horizontal Filter Taps
- ❑ 8 Vertical Filter Taps
- ❑ Two Operating Modes: Dimensionally Separate and Orthogonal
- ❑ Supports Interleaved Data Streams
- ❑ Horizontal Filter Supports Decimation up to 16:1 for Increasing Number of Filter Taps
- ❑ 3.3 Volt Power Supply
- ❑ 5 Volt Tolerant I/O
- ❑ 144 Lead PQFP

### DESCRIPTION

The **LF3310** is a two-dimensional digital image filter capable of filtering data at real-time video rates. The device contains both a horizontal and a vertical filter which may be cascaded or used concurrently for two-dimensional filtering. The input, coefficient, and output data are all 12-bits and in two's complement format.

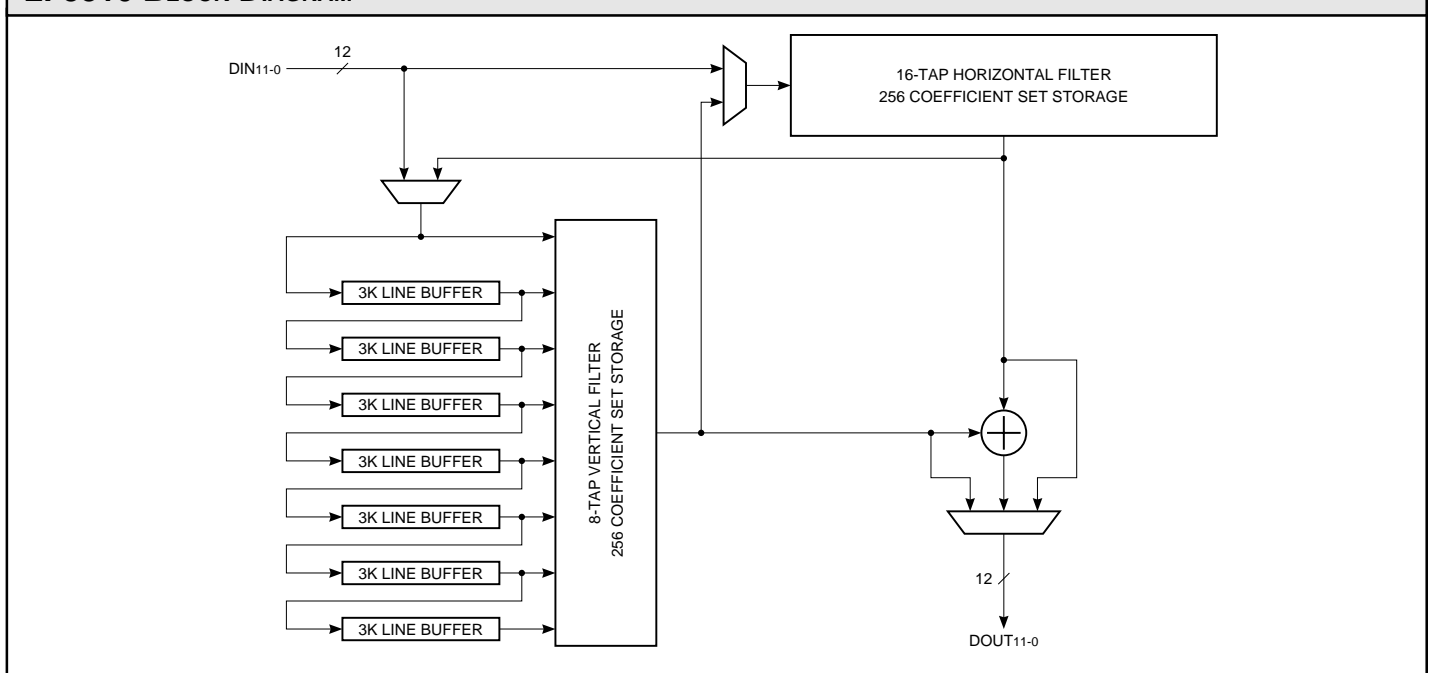
The horizontal filter is designed to take advantage of symmetric coefficient sets. When symmetric coefficient sets are used, the horizontal filter can be configured as a 16-tap FIR filter. When asymmetric coefficient sets are used, it can be configured as an 8-tap FIR filter. The vertical filter is an 8-tap FIR filter with all required line buffers contained on-chip. The line buffers can store video lines with lengths from 4 to 3076 pixels.

Horizontal filter Interleave/Decimation Registers (I/D Registers) and the vertical filter line buffers allow interleaved data to be fed directly into

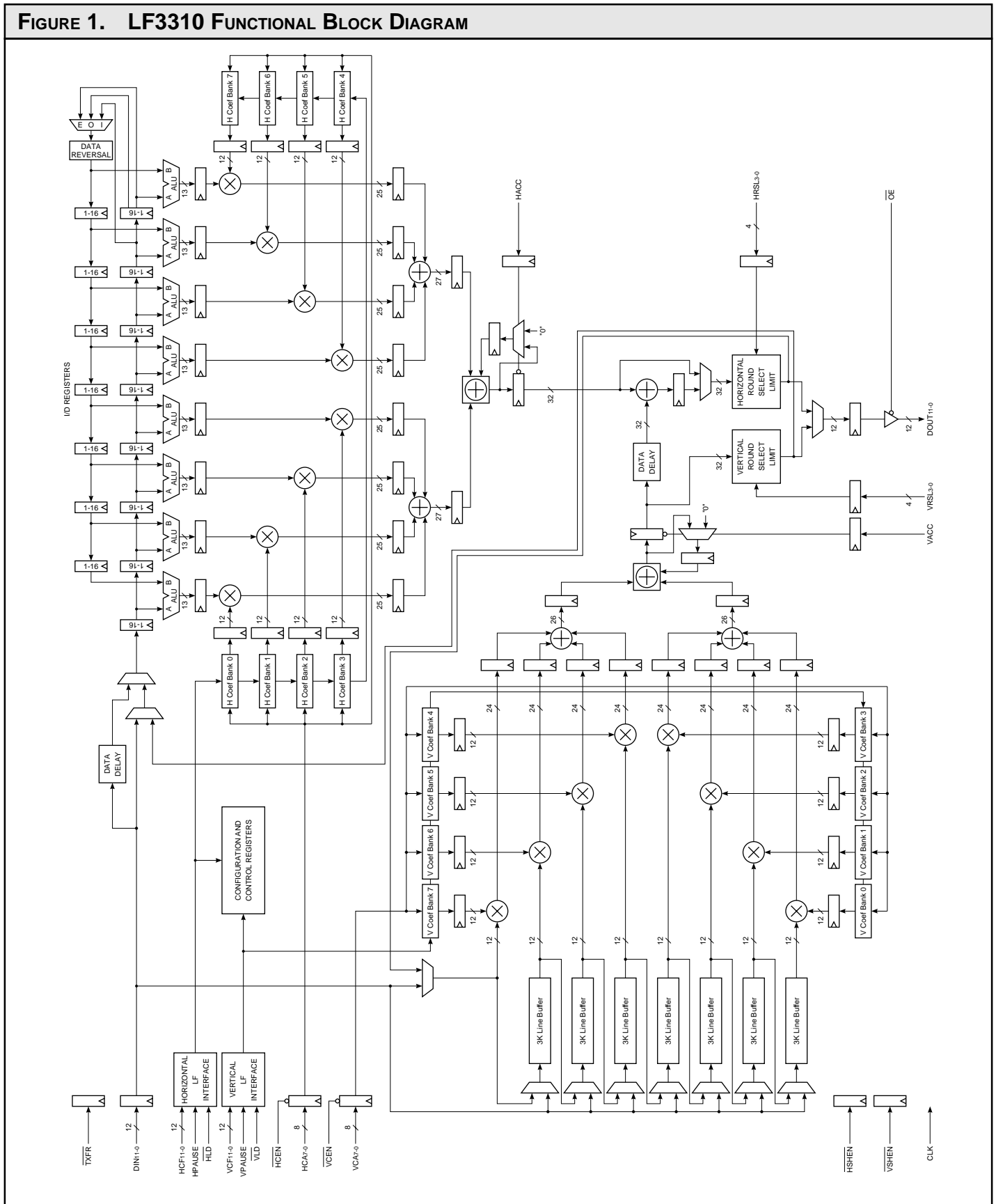
the device and filtered without separating the data into individual data streams. The horizontal filter can handle a maximum of sixteen data sets interleaved together. The vertical filter can handle interleaved video lines which contain 3076 or less data values. The I/D Registers and horizontal accumulator facilitate using decimation to increase the number of filter taps in the horizontal filter. Decimation of up to 16:1 is supported.

The device has on-chip storage for 256 horizontal coefficient sets and 256 vertical coefficient sets. Each filter's coefficients are loaded independently of each other allowing one filter's coefficients to be updated without affecting the other filter's coefficients. In addition, a horizontal or vertical coefficient set can be updated independently from the other coefficient sets in the same filter.

### LF3310 BLOCK DIAGRAM



**FIGURE 1. LF3310 FUNCTIONAL BLOCK DIAGRAM**



**Horizontal / Vertical Digital Image Filter**

**SIGNAL DEFINITIONS**

**Power**

*VCC and GND*

+3.3 V power supply. All pins must be connected.

**Clock**

*CLK — Master Clock*

The rising edge of CLK strobes all enabled registers.

**Inputs**

*DIN11-0 — Data Input*

DIN11-0 is the 12-bit registered data input port. Data is latched on the rising edge of CLK.

*HCF11-0 — Horizontal Coefficient Input*

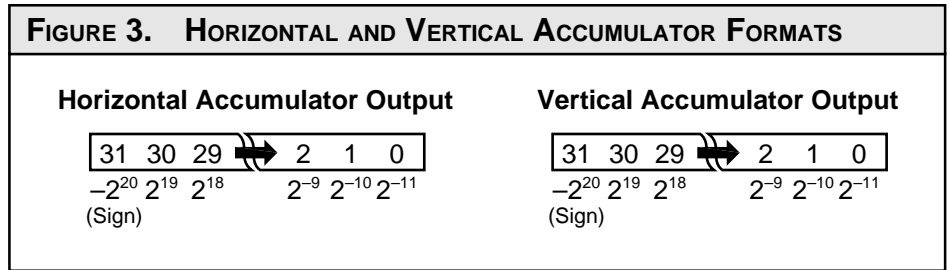
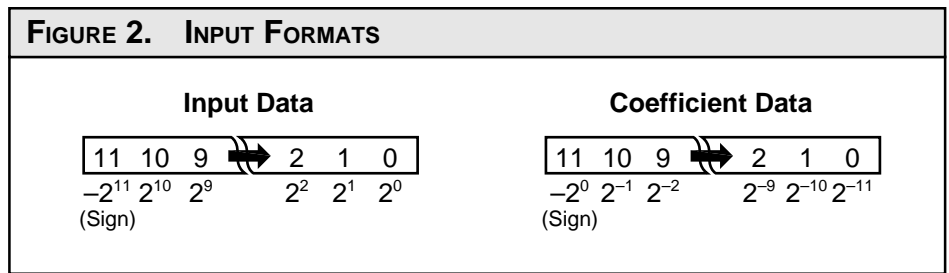
HCF11-0 is used to load data into the horizontal coefficient banks and the Configuration/Control Registers. Data present on HCF11-0 is latched into the Horizontal LF Interface™ on the rising edge of CLK when HLD is LOW (see the LF Interface™ section for a full discussion).

*HCA7-0 — Horizontal Coefficient Address*

HCA7-0 determines which row of data in the horizontal coefficient banks is fed to the multipliers in the horizontal filter. HCA7-0 is latched into the Horizontal Coefficient Address Register on the rising edge of CLK when HCEN is LOW.

*VCF11-0 — Vertical Coefficient Input*

VCF11-0 is used to load data into the vertical coefficient banks and the Configuration/Control Registers. Data present on VCF11-0 is latched into the Vertical LF Interface™ on the rising edge of CLK when VLD is LOW (see the LF Interface™ section for a full discussion).



**TABLE 1. OUTPUT FORMATS**

SLCT4-0	S <sub>11</sub>	S <sub>10</sub>	S <sub>9</sub>	...	S <sub>6</sub>	S <sub>5</sub>	...	S <sub>2</sub>	S <sub>1</sub>	S <sub>0</sub>
00000	F <sub>11</sub>	F <sub>10</sub>	F <sub>9</sub>	...	F <sub>6</sub>	F <sub>5</sub>	...	F <sub>2</sub>	F <sub>1</sub>	F <sub>0</sub>
00001	F <sub>12</sub>	F <sub>11</sub>	F <sub>10</sub>	...	F <sub>7</sub>	F <sub>6</sub>	...	F <sub>3</sub>	F <sub>2</sub>	F <sub>1</sub>
00010	F <sub>13</sub>	F <sub>12</sub>	F <sub>11</sub>	...	F <sub>8</sub>	F <sub>7</sub>	...	F <sub>4</sub>	F <sub>3</sub>	F <sub>2</sub>
.	.	.	.	...	.	.	...	.	.	.
.	.	.	.	...	.	.	...	.	.	.
.	.	.	.	...	.	.	...	.	.	.
10010	F <sub>29</sub>	F <sub>28</sub>	F <sub>27</sub>	...	F <sub>24</sub>	F <sub>23</sub>	...	F <sub>20</sub>	F <sub>19</sub>	F <sub>18</sub>
10011	F <sub>30</sub>	F <sub>29</sub>	F <sub>28</sub>	...	F <sub>25</sub>	F <sub>24</sub>	...	F <sub>21</sub>	F <sub>20</sub>	F <sub>19</sub>
10100	F <sub>31</sub>	F <sub>30</sub>	F <sub>29</sub>	...	F <sub>26</sub>	F <sub>25</sub>	...	F <sub>22</sub>	F <sub>21</sub>	F <sub>20</sub>

*VCA7-0 — Vertical Coefficient Address*

VCA7-0 determines which row of data in the vertical coefficient banks is fed to the multipliers in the vertical filter. VCA7-0 is latched into the Vertical Coefficient Address Register on the rising edge of CLK when VCEN is LOW.

**Outputs**

*DOUT11-0 — Data Output*

DOUT11-0 is the 12-bit registered data output port.

**Controls**

*HLD — Horizontal Coefficient Load*

When HLD is LOW, data on HCF11-0 is latched into the Horizontal LF Interface™ on the rising edge of CLK. When HLD is HIGH, data can not be latched into the Horizontal LF Interface™. When enabling the LF Interface™ for data input, a HIGH to LOW transition of HLD is required in order for the input circuitry to function properly. Therefore, HLD must be set HIGH immediately after power up to ensure proper operation of the input circuitry (see the LF Interface™ section for a full discussion).

## Horizontal / Vertical Digital Image Filter

### $\overline{HCEN}$ — Horizontal Coefficient Address Enable

When  $\overline{HCEN}$  is LOW, data on HCA7-0 is latched into the Horizontal Coefficient Address Register on the rising edge of CLK. When  $\overline{HCEN}$  is HIGH, data on HCA7-0 is not latched and the register's contents will not be changed.

### $\overline{VLD}$ — Vertical Coefficient Load

When  $\overline{VLD}$  is LOW, data on VCF11-0 is latched into the Vertical LF Interface™ on the rising edge of CLK. When  $\overline{VLD}$  is HIGH, data can not be latched into the Vertical LF Interface™. When enabling the LF Interface™ for data input, a HIGH to LOW transition of  $\overline{VLD}$  is required in order for the input circuitry to function properly. Therefore,  $\overline{VLD}$  must be set HIGH immediately after power up to ensure proper operation of the input circuitry (see the LF Interface™ section for a full discussion).

### $\overline{VCEN}$ — Vertical Coefficient Address Enable

When  $\overline{VCEN}$  is LOW, data on VCA7-0 is latched into the Vertical Coefficient Address Register on the rising edge of CLK. When  $\overline{VCEN}$  is HIGH, data on VCA7-0 is not latched and the register's contents will not be changed.

### $\overline{TXFR}$ — Horizontal Filter LIFO Transfer Control

$\overline{TXFR}$  is used to change which LIFO in the data reversal circuitry sends data to the reverse data path and which LIFO receives data from the forward data path. When  $\overline{TXFR}$  goes LOW, the LIFO sending data to the reverse data path becomes the LIFO receiving data from the forward data path, and the LIFO receiving data from the forward data path becomes the LIFO sending data to the reverse data path. The device must see a HIGH to LOW transition of  $\overline{TXFR}$  in order to switch LIFOs.

### HACC — Horizontal Accumulator Control

When HACC is HIGH, the horizontal accumulator is enabled for accumulation and the accumulator output register is disabled for loading. When HACC is LOW, no accumulation is performed and the accumulator output register is enabled for loading. HACC is latched on the rising edge of CLK.

### VACC — Vertical Accumulator Control

When VACC is HIGH, the vertical accumulator is enabled for accumulation and the accumulator output register is disabled for loading. When VACC is LOW, no accumulation is performed and the accumulator output register is enabled for loading. VACC is latched on the rising edge of CLK.

### $\overline{HSHEN}$ — Horizontal Shift Enable

$\overline{HSHEN}$  enables or disables the loading of data into the forward and reverse I/D Registers in the horizontal filter when the device is in Dimensionally Separate Mode. If the device is configured such that the horizontal filter feeds the vertical filter,  $\overline{HSHEN}$  also enables or disables the loading of data into the input register (DIN11-0). If the device is configured such that the vertical filter feeds the horizontal filter and the vertical limit register is under shift control,  $\overline{HSHEN}$  also enables or disables the loading of data into the vertical limit register in the vertical Round/Select/Limit circuitry. In Orthogonal Mode,  $\overline{HSHEN}$  also enables or disables the loading of data into the input register (DIN11-0) and the line buffers in the vertical filter. It is important to note that in Orthogonal Mode, either  $\overline{HSHEN}$  or  $\overline{VSHEN}$  can disable data loading. Both must be active to enable data loading in Orthogonal Mode. Also in Orthogonal Mode, the horizontal and vertical limit registers can not be disabled.

When  $\overline{HSHEN}$  is LOW, data is loaded into and shifted through the registers  $\overline{HSHEN}$  controls and the forward and reverse I/D Registers on the rising edge of CLK. When  $\overline{HSHEN}$  is HIGH, data is not loaded into or shifted through the registers  $\overline{HSHEN}$  controls and the I/D Registers, and their contents will not be changed.  $\overline{HSHEN}$  is latched on the rising edge of CLK.

### $\overline{VSHEN}$ — Vertical Shift Enable

$\overline{VSHEN}$  enables or disables the loading of data into the line buffers in the vertical filter when the device is in Dimensionally Separate Mode. If the device is configured such that the vertical filter feeds the horizontal filter,  $\overline{VSHEN}$  also enables or disables the loading of data into the input register (DIN11-0). If the device is configured such that the horizontal filter feeds the vertical filter and the horizontal limit register is under shift control,  $\overline{VSHEN}$  also enables or disables the loading of data into the horizontal limit register in the horizontal Round/Select/Limit circuitry. In Orthogonal Mode,  $\overline{VSHEN}$  also enables or disables the loading of data into the input register (DIN11-0) and the forward and reverse I/D Registers in the horizontal filter. It is important to note that in Orthogonal Mode, either  $\overline{HSHEN}$  or  $\overline{VSHEN}$  can disable data loading. Both must be active to enable data loading in Orthogonal Mode. Also in Orthogonal Mode, the horizontal and vertical limit registers can not be disabled.

When  $\overline{VSHEN}$  is LOW, data is loaded into and shifted through the registers  $\overline{VSHEN}$  controls and the line buffers on the rising edge of CLK. When  $\overline{VSHEN}$  is HIGH, data is not loaded into or shifted through the registers  $\overline{VSHEN}$  controls and the line buffers, and their contents will not be changed.  $\overline{VSHEN}$  is latched on the rising edge of CLK.

**Horizontal / Vertical Digital Image Filter**

**HRSL3-0 — Horizontal Round/Select/Limit Control**

HRSL3-0 determines which of the sixteen user-programmable Round/Select/Limit registers (RSL registers) are used in the horizontal Round/Select/Limit circuitry. A value of 0 on HRSL3-0 selects RSL register 0. A value of 1 selects round/select/limit register 1 and so on. HRSL3-0 is latched on the rising edge of CLK (see the horizontal round, select, and limit sections for a complete discussion).

**VRSL3-0 — Vertical Round/Select/Limit Control**

VRSL3-0 determines which of the sixteen user-programmable RSL registers are used in the vertical RSL circuitry. A value of 0 on VRSL3-0 selects RSL register 0. A value of 1 selects RSL register 1 and so on. VRSL3-0 is latched on the rising edge of CLK (see the vertical round, select, and limit sections for a complete discussion).

**$\overline{OE}$  — Output Enable**

When  $\overline{OE}$  is LOW, DOUT11-0 is enabled for output. When  $\overline{OE}$  is HIGH, DOUT11-0 is placed in a high-impedance state.

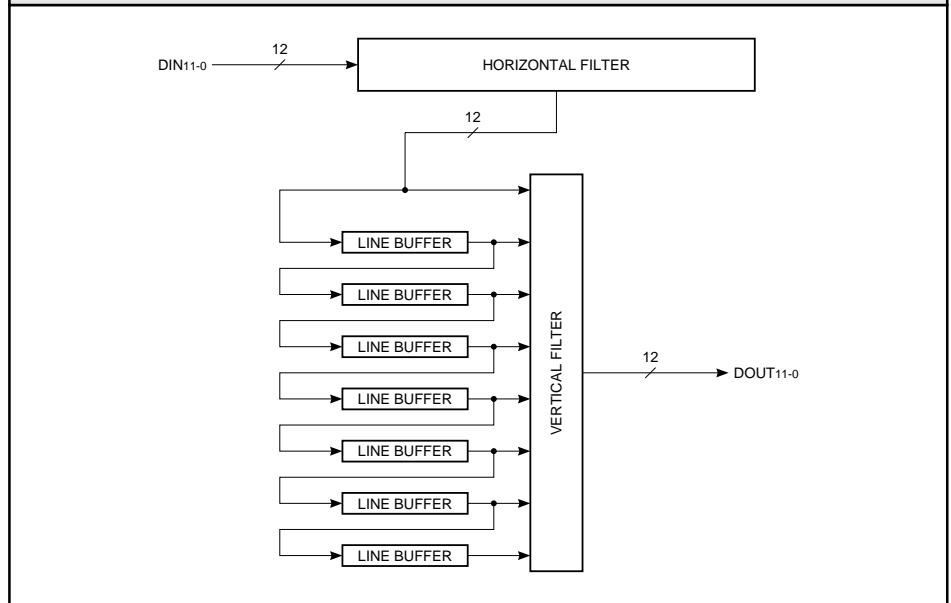
**HPAUSE — LF Interface™ Pause**

When HPAUSE is HIGH, the Horizontal LF Interface™ loading sequence is halted until HPAUSE is returned to a LOW state. This effectively allows the user to load coefficients and Control Registers at a slower rate than the master clock (see the LF Interface™ section for a full discussion).

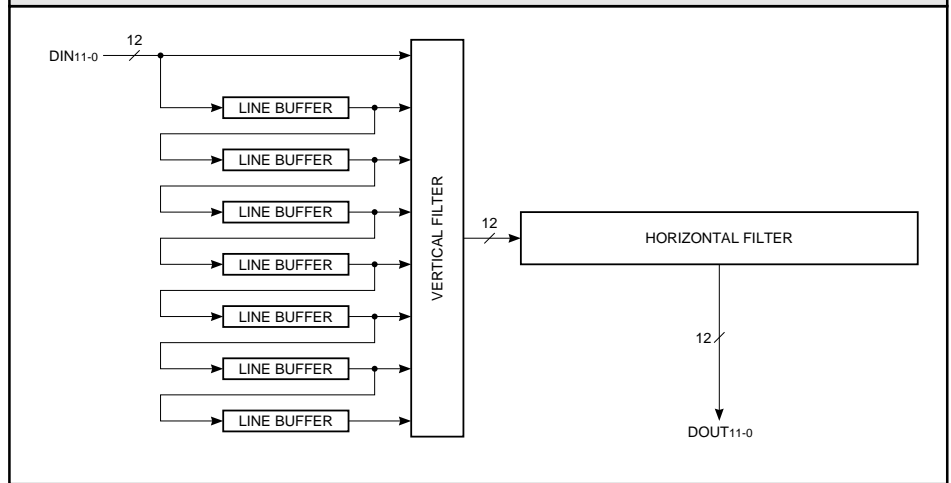
**VPAUSE — LF Interface™ Pause**

When VPAUSE is HIGH, the Vertical LF Interface™ loading sequence is halted until VPAUSE is returned to a LOW state. This effectively allows the user to load coefficients and Control

**FIGURE 4. DIMENSIONALLY SEPARATE MODE: H TO V**



**FIGURE 5. DIMENSIONALLY SEPARATE MODE: V TO H**



Registers at a slower rate than the master clock (see the LF Interface™ section for a full discussion).

**OPERATIONAL MODES**

**Dimensionally Separate**

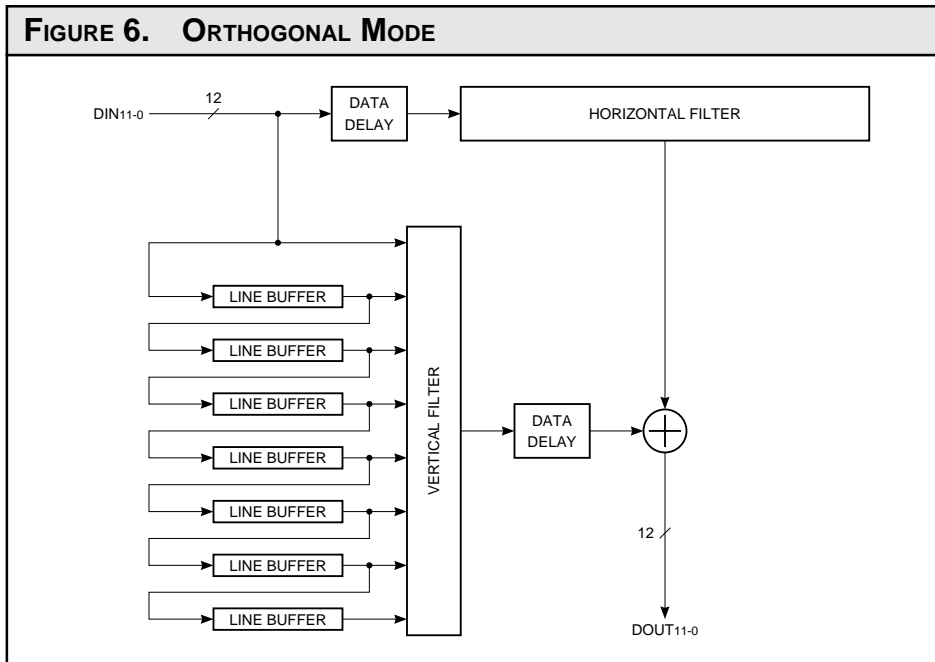
In Dimensionally Separate Mode, the horizontal and vertical filters are cascaded together to form a two-dimensional image filter (see Figures 4 and 5). Bit 1 in Configuration Register 4 determines the cascade order. If this bit is set to “0”, data on

DIN11-0 is fed into the horizontal filter first. The horizontal filter then feeds data into the vertical filter. If this bit is set to “1”, data on DIN11-0 is fed into the vertical filter first. The vertical filter then feeds data into the horizontal filter.

**Orthogonal**

In Orthogonal Mode, the horizontal and vertical filters are used concurrently to implement an orthogonal kernel on the input data (see Figure 6).

**Horizontal / Vertical Digital Image Filter**



and vertical filters will not line up correctly because the data delays are calculated assuming that the first 3, 5, or 7 multipliers are used. Also, the ALUs in the horizontal filter should be configured to accept data from the forward I/D Register path into ALU Input A and force ALU Input B to 0.

**FUNCTIONAL DESCRIPTION**

**Horizontal Filter**

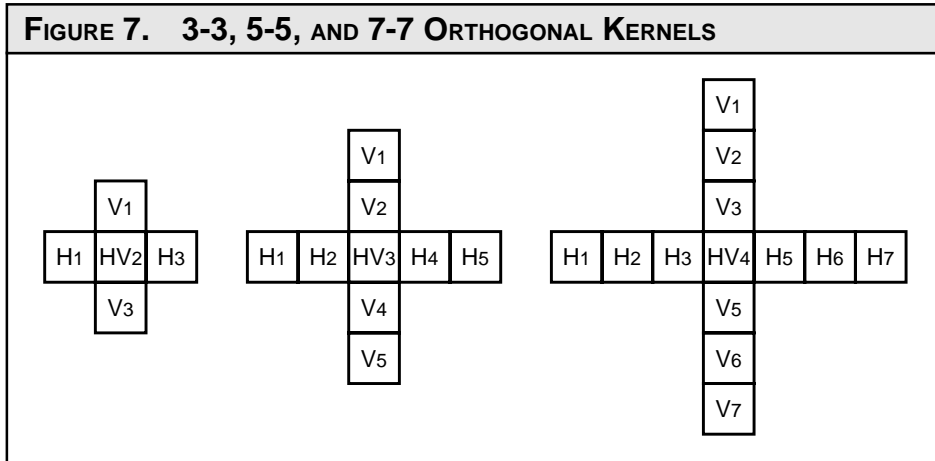
The horizontal filter is designed to filter a digital image in the horizontal dimension. This FIR filter can be configured to have as many as 16-taps when symmetric coefficient sets are used and 8-taps when asymmetric coefficient sets are used.

*ALUs*

The ALUs double the number of filter taps available, when symmetric coefficient sets are used, by pre-adding data values which are then multiplied by a common coefficient (see Figure 8). The ALUs can perform two operations: A+B and B-A. Bit 0 of Configuration Register 0 determines the ALU operation. A+B is used with even-symmetric coefficient sets. B-A is used with odd-symmetric coefficient sets. Also, either the A or B operand may be set to 0. Bits 1 and 2 of Configuration Register 0 control the ALU inputs. A+0 or B+0 are used with asymmetric coefficient sets.

*Interleave/Decimation Registers*

The Interleave/Decimation Registers (I/D Registers) feed the ALU inputs. They allow the device to filter up to sixteen data sets interleaved into the same data stream without having to separate the data sets. The I/D Registers should be set to a length equal to the number of data sets interleaved together. For example, if two data sets are interleaved together, the I/D Registers should be set to a length of two. Bits 1 through 4 of Configuration Register 1 determine



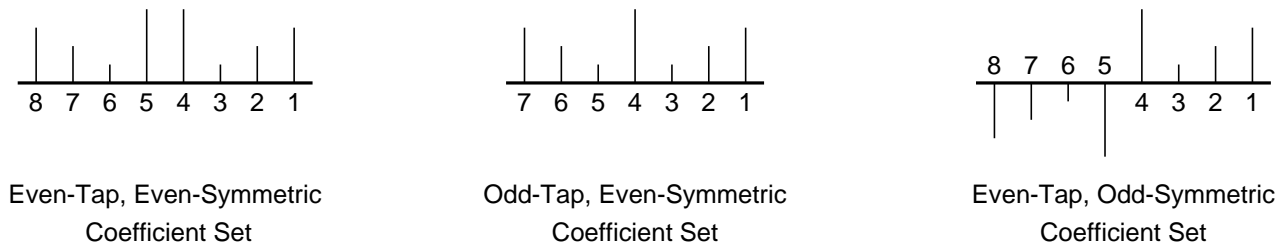
The HV Filter can handle kernel sizes of 3-3, 5-5, and 7-7 (see Figure 7). Data delay elements at the input of the horizontal filter and the output of the vertical filter are used to properly align data so that the orthogonal kernel is implemented correctly. The data delays are automatically set to the correct lengths based on the programmed length of the line buffers and the kernel size.

Kernel sizes of 3-3, 5-5, and 7-7 require that the horizontal filter's output be delayed by LB - 2, 2(LB) - 3, and 3(LB) - 4 clock cycles respectively before being added to the vertical filter's output (LB is the programmed

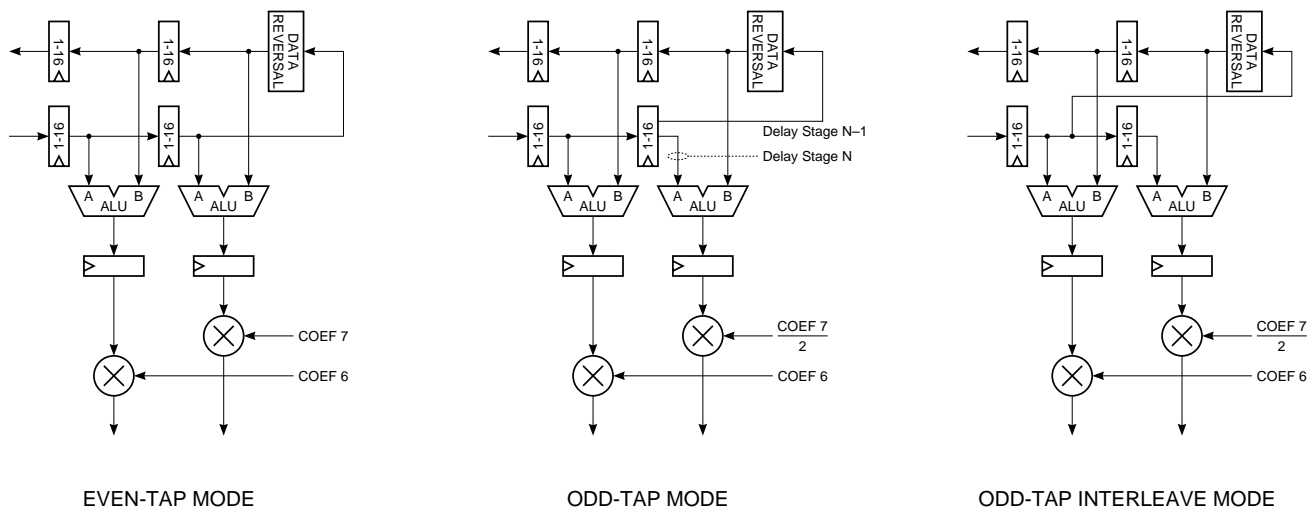
line buffer length). The data delay at the input of the horizontal filter handles the LB, 2(LB), and 3(LB) delays. The data delay at the output of the vertical filter handles the - 2, - 3, and - 4 delays. For example, if the line buffers are programmed for a length of 720 and a 5-5 kernel is selected, the horizontal filter input data delay will be 1440 clock cycles and the vertical filter output data delay will be 3 clock cycles.

It is important to note that the first 3, 5, or 7 multipliers of the horizontal and vertical filters must be used in Orthogonal Mode. If other multipliers are used, data from the horizontal

**FIGURE 8. SYMMETRIC COEFFICIENT SET EXAMPLES**



**FIGURE 9. I/D REGISTER DATA PATHS**



the I/D Register length.

The I/D Registers also facilitate using decimation to increase the number of filter taps. Decimation by N is accomplished by reading the horizontal filter's output once every N clock cycles. The device supports decimation up to 16:1. With no decimation, the maximum number of filter taps is sixteen. When decimating by N, the number of filter taps becomes 16N because there are N-1 clock cycles when the horizontal filter's output is not being read. The extra clock cycles are used to calculate more filter taps.

When decimating, the I/D Registers should be set to a length equal to the decimation factor. For example, when performing a 4:1 decimation, the I/D Registers should be set to a

length of four. When not decimating or when only one data set (non-interleaved data) is fed into the device, the I/D Registers should be set to a length of one.

$\overline{\text{HSHEN}}$  enables or disables the loading of data into the forward and reverse I/D Registers when the device is in Dimensionally Separate Mode (see the  $\overline{\text{HSHEN}}$  section for a full discussion). When in Orthogonal Mode,  $\overline{\text{HSHEN}}$  also enables or disables the loading of data into the input register (DIN11-0) and the line buffers.

It is important to note that in Orthogonal Mode, either  $\overline{\text{HSHEN}}$  or  $\overline{\text{VSHEN}}$  can disable the loading of data into the input register (DIN11-0),

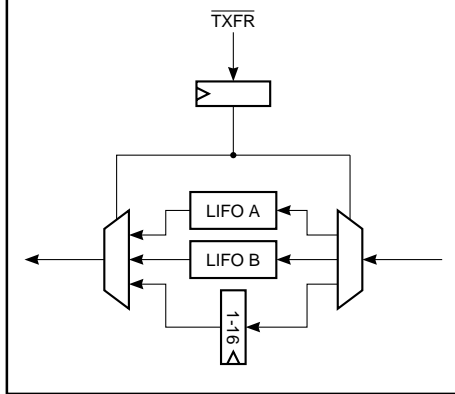
I/D Registers, and line buffers. Both must be active to enable data loading in Orthogonal Mode.

*I/D Register Data Path Control*

The multiplexer in the middle of the I/D Register data path controls how data is fed to the reverse data path. The forward data path contains the I/D Registers in which data flows from left to right in the block diagram in Figure 1. The reverse data path contains the I/D Registers in which data flows from right to left. When the filter is configured for an even number of taps, data from the last I/D Register in the forward data path is fed into the first I/D Register in the reverse data path (see Figure 9).

**Horizontal / Vertical Digital Image Filter**

**FIGURE 10. DATA REVERSAL**



When the filter is configured for an odd number of taps, the data which will appear at the output of the last I/D Register in the forward data path on the next clock cycle is fed into the first I/D Register in the reverse data path. Bit 5 in Configuration Register 1 configures the filter for an even or odd number of taps.

When interleaved data is fed through the device and an even tap filter is desired, the filter should be configured for an even number of taps (Bit 5 of CR1 set to "0") and the I/D Register length should match the number of data sets interleaved together. When interleaved data is to be fed through the device and an odd tap filter is desired, the filter should be set to Odd-Tap Interleave Mode. Bit 0 of Configuration Register 1 configures the filter for Odd-Tap Interleave Mode. When the filter is configured for Odd-Tap Interleave Mode, data from the next to last I/D Register in the forward data path is fed into the first I/D Register in the reverse data path.

When the filter is configured for an odd number of taps (interleaved or non-interleaved modes), the filter is structured such that the center data value is aligned simultaneously at the A and B inputs of the last ALU in the forward data path. In order to achieve the correct result, the user must divide the coefficient by two.

*Data Reversal*

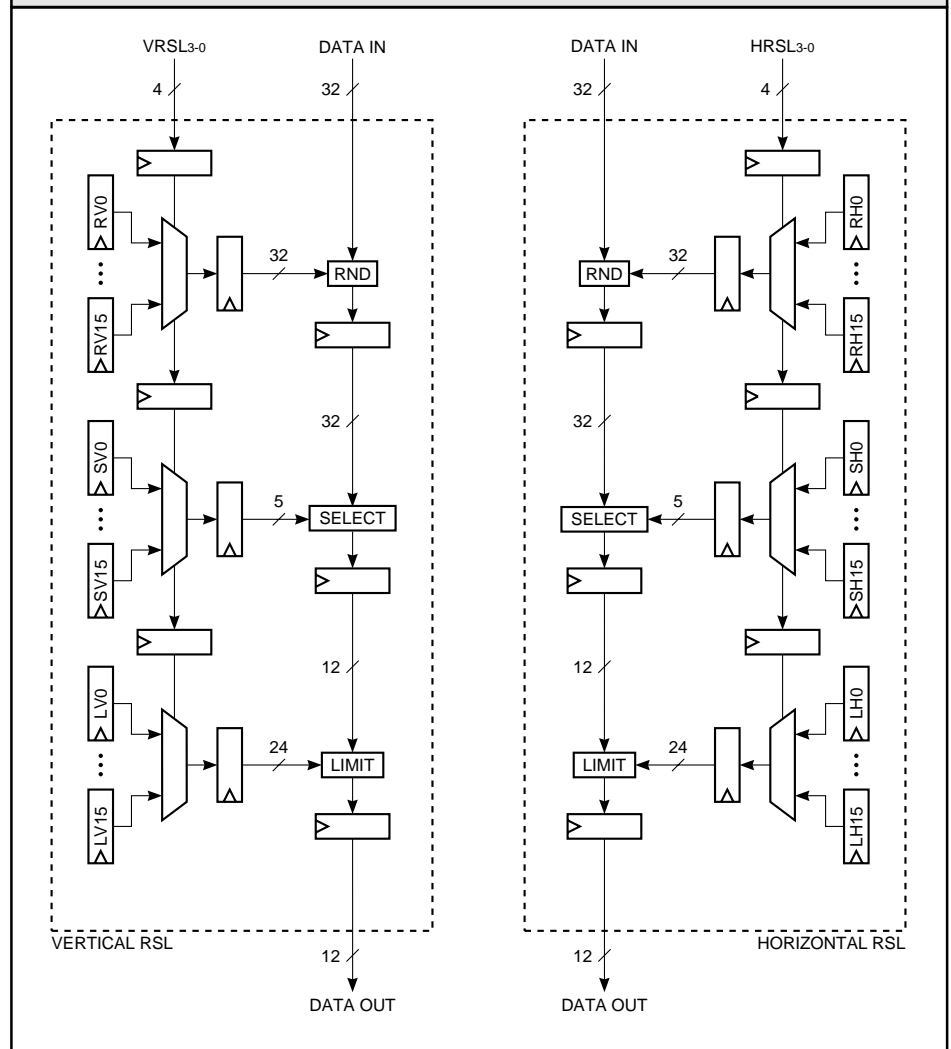
Data reversal circuitry is placed after the multiplexer which routes data from the forward data path to the reverse data path (see Figure 10). When decimating, the data stream must be reversed in order for data to be properly aligned at the inputs of the ALUs. When data reversal is enabled, the circuitry uses a pair of LIFOs to reverse the order of the data sent to the reverse data path. When TXFR goes LOW, the LIFO sending data to the reverse data path becomes the LIFO receiving data from the forward data path, and the LIFO receiving data from the forward data path becomes the LIFO sending data

to the reverse data path. The device must see a HIGH to LOW transition of TXFR in order to switch LIFOs. If decimating by N, TXFR should go low once every N clock cycles. When data reversal is disabled, the circuitry functions like an I/D Register. When feeding interleaved data through the filter, data reversal should be disabled. Bit 6 of Configuration Register 1 enables or disables data reversal.

*Horizontal Rounding*

The horizontal filter output may be rounded by adding the contents of one of the sixteen horizontal round registers to the horizontal filter output

**FIGURE 11. HORIZONTAL AND VERTICAL ROUND/SELECT/LIMIT CIRCUITRY**





**Horizontal / Vertical Digital Image Filter**

**TABLE 2. CONFIGURATION REGISTER 0 – ADDRESS 200H**

BITS	FUNCTION	DESCRIPTION
0	ALU Mode	0: A + B 1: B – A
1	Pass A	0: ALU Input A = 0 1: ALU Input A = Forward Register Path
2	Pass B	0: ALU Input B = 0 1: ALU Input B = Reverse Register Path
11-3	Reserved	Must be set to “0”

**TABLE 3. CONFIGURATION REGISTER 1 – ADDRESS 201H**

BITS	FUNCTION	DESCRIPTION
0	Odd-Tap Interleave Mode	0: Odd-Tap Interleave Mode Disabled 1: Odd-Tap Interleave Mode Enabled
4-1	I/D Register Length	0000: 1 Register 0001: 2 Registers 0010: 3 Registers 0011: 4 Registers 0100: 5 Registers 0101: 6 Registers 0110: 7 Registers 0111: 8 Registers 1000: 9 Registers 1001: 10 Registers 1010: 11 Registers 1011: 12 Registers 1100: 13 Registers 1101: 14 Registers 1110: 15 Registers 1111: 16 Registers
5	Horizontal Tap Number	0: Even Number of Taps 1: Odd Number of Taps
6	Horizontal Data Reversal	0: Data Reversal Enabled 1: Data Reversal Disabled
11-7	Reserved	Must be set to “0”

(see Figure 11). Each round register is 32-bits wide and user-programmable. This allows the filter’s output to be rounded to any precision required. Since any 32-bit value may be programmed into the round registers, the device can support complex rounding algorithms as well as standard Half-LSB rounding. HRSL3-0 determines which of the sixteen horizontal round registers are used in the rounding operation. A value of 0

on HRSL3-0 selects horizontal round register 0. A value of 1 selects horizontal round register 1 and so on. HRSL3-0 may be changed every clock cycle if desired. This allows the rounding algorithm to be changed every clock cycle. This is useful when filtering interleaved data. If rounding is not desired, a round register should be loaded with 0 and selected as the register used for rounding. Round register loading is discussed in the LF Interface™ section.

*Horizontal Select*

The word width of the horizontal filter output is 32-bits. However, only 12-bits may be sent to the filter output. The horizontal filter select circuitry determines which 12-bits are passed (see Table 1). The horizontal select registers control the horizontal select circuitry. There are sixteen horizontal select registers. Each select register is 5-bits wide and user-programmable. HRSL3-0 determines which of the sixteen horizontal select registers are used in the horizontal select circuitry. A value of 0 on HRSL3-0 selects horizontal select register 0. A value of 1 selects horizontal select register 1 and so on. HRSL3-0 may be changed every clock cycle if desired. This allows the 12-bit window to be changed every clock cycle. This is useful when filtering interleaved data. Select register loading is discussed in the LF Interface™ section.

*Horizontal Limiting*

An output limiting function is provided for the output of the horizontal filter. The horizontal limit registers determine the valid range of output values when limiting is enabled (Bit 1 in Configuration Register 5). There are sixteen 24-bit horizontal limit registers. HRSL3-0 determines which horizontal limit register is used during the limit operation. A value of 0 on HRSL3-0 selects horizontal limit register 0. A value of 1 selects horizontal limit register 1 and so on. Each limit register contains both an upper and lower limit value. If the value fed to the limiting circuitry is less than the lower limit, the lower limit value is passed as the filter output. If the value fed to the limiting circuitry is greater than the upper limit, the upper limit value is passed as the filter output. HRSL3-0 may be changed every clock cycle if desired. This allows the limit range to be

**Horizontal / Vertical Digital Image Filter**

changed every clock cycle. This is useful when filtering interleaved data. When loading limit values into the device, the upper limit must be greater than the lower limit. Limit register loading is discussed in the LF Interface™ section.

**Vertical Filter**

The vertical filter is designed to filter a digital image in the vertical dimension. It is a FIR filter which can be configured to have as many as 8-taps.

*Line Buffers*

There are seven on-chip line buffers. The maximum delay length of each line buffer is 3076 cycles and the minimum is 4 cycles. Configuration Register 2 (CR2) determines the delay length of the line buffers. The line buffer length is equal to the value of CR2 plus 4. A value of 0 for CR2 sets the line buffer length to 4. A value of 3072 for CR2 sets the line buffer length to 3076. Any values for CR2 greater than 3072 are not valid.

The line buffers have two modes of operation: delay mode and recirculate mode. Bit 0 of Configuration Register 3 determines which mode the line buffers are in. In delay mode, the data input to the line buffer is delayed by an amount determined by CR2. In recirculate mode, the output of the line buffer is routed back to the input of the line buffer allowing the line buffer contents to be read multiple times.

Bit 1 of Configuration Register 3 allows the line buffers to be loaded in parallel. When Bit 1 is “1”, the input register (DIN11-0) loads all seven line buffers in parallel. This allows all the line buffers to be preloaded with data in the amount of time it normally takes to load a single line buffer.

$\overline{VSHEN}$  enables or disables the loading of data into the line buffers when the device is in Dimensionally Separate Mode (see the  $\overline{VSHEN}$

section for a full discussion). When in Orthogonal Mode,  $\overline{VSHEN}$  also enables or disables the loading of data into the input register (DIN11-0) and the forward and reverse I/D Registers.

It is important to note that in Orthogonal Mode, either  $\overline{HSHEN}$  or  $\overline{VSHEN}$  can disable the loading of data into the input register (DIN11-0), I/D Registers, and line buffers. Both must be active to enable data loading in Orthogonal Mode.

*Interleaved Data*

The vertical filter is capable of handling interleaved data. The number of data sets it can handle is determined by the number of data values contained in a video line. If the interleaved video line has 3076 data values or less, the vertical filter can handle it no matter how many data sets are interleaved together.

**TABLE 4. CONFIGURATION REGISTER 2 – ADDRESS 202H**

BITS	FUNCTION	DESCRIPTION
11-0	Line Buffer Length	See Line Buffer Description Section

**TABLE 5. CONFIGURATION REGISTER 3 – ADDRESS 203H**

BITS	FUNCTION	DESCRIPTION
0	Line Buffer Mode	0: Delay Mode 1: Recirculate Mode
1	Line Buffer Load	0: Normal Load 1: Parallel Load
11-2	Reserved	Must be set to “0”

**TABLE 6. CONFIGURATION REGISTER 4 – ADDRESS 204H**

BITS	FUNCTION	DESCRIPTION
0	HV Filter Mode	0: Orthogonal Mode 1: Dimensionally Separate
1	HV Direction	0: Horizontal to Vertical 1: Vertical to Horizontal
3-2	Orthogonal Kernel Size	00: 3-3 Kernel 01: 5-5 Kernel 10: 7-7 Kernel 11: Not Used
4	Limit Register Load Control	0: Limit Registers Always Enabled 1: Limit Registers Under Shift Enable Control
11-5	Reserved	Must be set to “0”

**TABLE 7. CONFIGURATION REGISTER 5 – ADDRESS 205H**

BITS	FUNCTION	DESCRIPTION
0	Vertical Limit Enable	0: Vertical Limiting Disabled 1: Vertical Limiting Enabled
1	Horizontal Limit Enable	0: Horizontal Limiting Disabled 1: Horizontal Limiting Enabled
11-2	Reserved	Must be set to “0”

**Horizontal / Vertical Digital Image Filter**

TABLE 8. HCF/VCF11-9 DECODE			
11	10	9	DESCRIPTION
0	0	0	Coefficient Banks
0	0	1	Configuration Registers
0	1	0	Horizontal Select Registers
0	1	1	Vertical Select Registers
1	0	0	Horizontal Round Registers
1	0	1	Vertical Round Registers
1	1	0	Horizontal Limit Registers
1	1	1	Vertical Limit Registers

*Vertical Rounding*

The vertical filter output may be rounded by adding the contents of one of the sixteen vertical round registers to the vertical filter output (see Figure 11). Each round register is 32-bits wide and user-programmable. This allows the filter's output to be rounded to any precision required. Since any 32-bit value may be programmed into the round registers, the device can support complex rounding algorithms as well as standard Half-LSB rounding. VRSL3-0 determines which of the sixteen vertical round registers are used in the rounding operation. A value of 0 on VRSL3-0 selects vertical round register 0. A value of 1 selects vertical round register 1 and so on. VRSL3-0 may be changed every clock cycle if desired. This allows the rounding algorithm to be changed every clock cycle. This is useful when filtering interleaved data. If rounding is not desired, a round register should be loaded with 0 and selected as the register used for rounding. Round register loading is discussed in the LF Interface™ section.

*Vertical Select*

The word width of the vertical filter output is 32-bits. However, only 12-bits may be sent to the filter output. The vertical filter select circuitry determines which 12-bits are passed (see Table 1). The vertical select registers control the vertical select circuitry. There are sixteen vertical select registers. Each select

TABLE 9. HRZ. ROUND REGISTERS	
REGISTER	ADDRESS (HEX)
0	800
1	801
⋮	⋮
14	80E
15	80F

TABLE 10. HRZ. SELECT REGISTERS	
REGISTER	ADDRESS (HEX)
0	400
1	401
⋮	⋮
14	40E
15	40F

TABLE 11. HRZ. LIMIT REGISTERS	
REGISTER	ADDRESS (HEX)
0	C00
1	C01
⋮	⋮
14	C0E
15	C0F

register is 5-bits wide and user-programmable. VRSL3-0 determines which of the sixteen vertical select registers are used in the vertical select circuitry. A value of 0 on VRSL3-0 selects vertical select register 0. A value of 1 selects vertical select register 1 and so on. VRSL3-0 may be changed every clock cycle if desired. This allows the 12-bit window to be changed every clock cycle. This is useful when filtering interleaved data. Select register loading is discussed in the LF Interface™ section.

*Vertical Limiting*

An output limiting function is provided for the output of the vertical filter. The vertical limit registers determine the valid range of output values when limiting is enabled (Bit 0 in Configuration Register 5). There

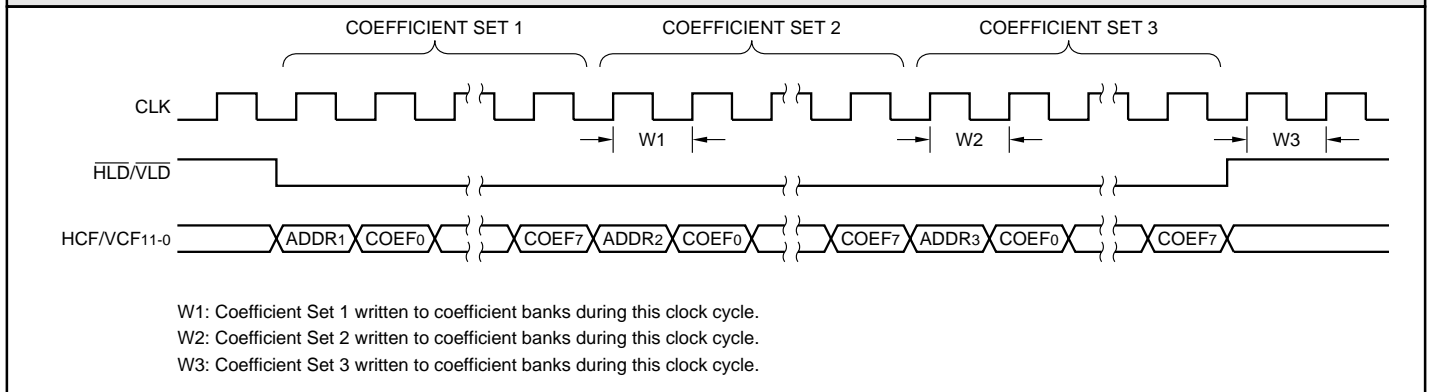
TABLE 12. VRT. ROUND REGISTERS	
REGISTER	ADDRESS (HEX)
0	A00
1	A01
⋮	⋮
14	A0E
15	A0F

TABLE 13. VRT. SELECT REGISTERS	
REGISTER	ADDRESS (HEX)
0	600
1	601
⋮	⋮
14	60E
15	60F

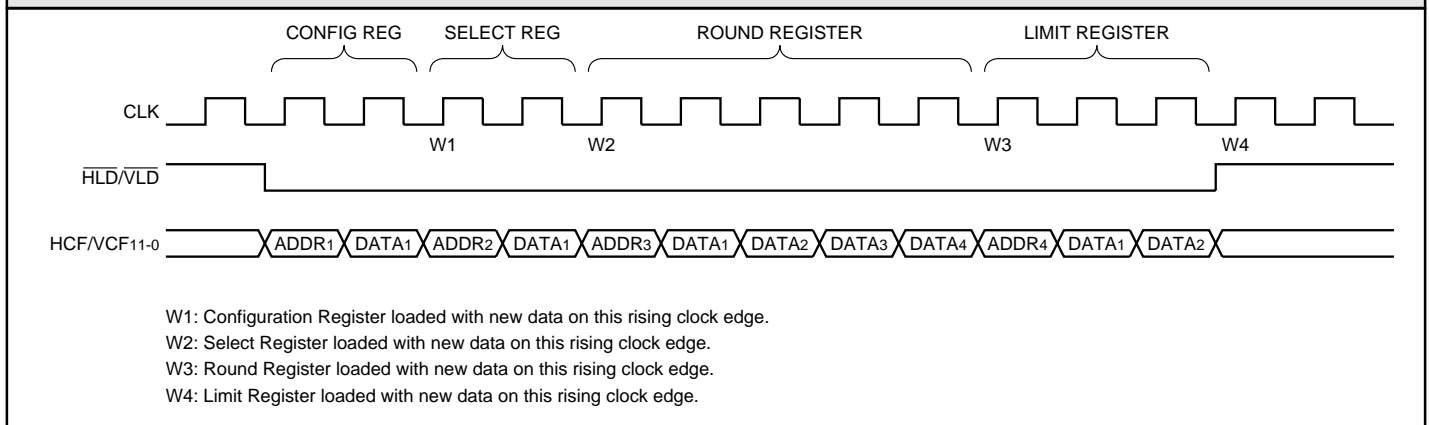
TABLE 14. VRT. LIMIT REGISTERS	
REGISTER	ADDRESS (HEX)
0	E00
1	E01
⋮	⋮
14	E0E
15	E0F

are sixteen 24-bit vertical limit registers. VRSL3-0 determines which vertical limit register is used during the limit operation. A value of 0 on VRSL3-0 selects vertical limit register 0. A value of 1 selects vertical limit register 1 and so on. Each limit register contains both an upper and lower limit value. If the value fed to the limiting circuitry is less than the lower limit, the lower limit value is passed as the filter output. If the value fed to the limiting circuitry is greater than the upper limit, the upper limit value is passed as the filter output. VRSL3-0 may be changed every clock cycle if desired. This allows the limit range to be changed every clock cycle. This is useful when filtering interleaved data. When loading limit values into the device, the upper limit must be greater than the lower limit. Limit register loading is discussed in the LF Interface™ section.

**FIGURE 12. COEFFICIENT BANK LOADING SEQUENCE**



**FIGURE 13. CONFIGURATION/CONTROL REGISTER LOADING SEQUENCE**



**Coefficient Banks**

The coefficient banks store the coefficients which feed into the multipliers in the horizontal and vertical filters. There is a separate bank for each multiplier. Each bank can hold 256 12-bit coefficients. The banks are loaded using an LF Interface™. There is a separate LF Interface™ for the horizontal and vertical banks. Coefficient bank loading is discussed in the LF Interface™ section.

**Configuration and Control Registers**

The Configuration Registers determine how the HV Filter operates. Tables 2 through 7 show the formats of the six configuration registers. There are three types of control registers: round, select, and limit. There are sixteen round registers for

the horizontal filter and sixteen for the vertical filter. Each register is 32-bits wide. HRSL3-0 and VRSL3-0 determine which horizontal and vertical round registers respectively are used for rounding.

There are sixteen select registers for the horizontal filter and sixteen for the vertical filter. Each register is 5-bits wide. HRSL3-0 and VRSL3-0 determine which horizontal and vertical select registers respectively are used in the select circuitry.

There are sixteen limit registers for the horizontal filter and sixteen for the vertical filter. Each register is 24-bits wide and stores both an upper and lower limit value. The lower limit is stored in bits 11-0 and the upper limit is stored in bits 23-12. HRSL3-0 and VRSL3-0 determine which horizontal and vertical limit registers respectively are used for

limiting when limiting is enabled. Configuration and Control Register loading is discussed in the LF Interface™ section.

**LF Interface™**

The Horizontal and Vertical LF Interfaces™ are used to load data into the horizontal and vertical coefficient banks respectively. They are also used to load data into the Configuration and Control Registers.

The following section describes how the Horizontal LF Interface™ works. The Horizontal and Vertical LF Interfaces™ are identical in function. If HLD and HCF11-0 are replaced with VLD and VCF11-0, the following section will describe how the Vertical LF Interface™ works.

HLD is used to enable and disable the Horizontal LF Interface™. When

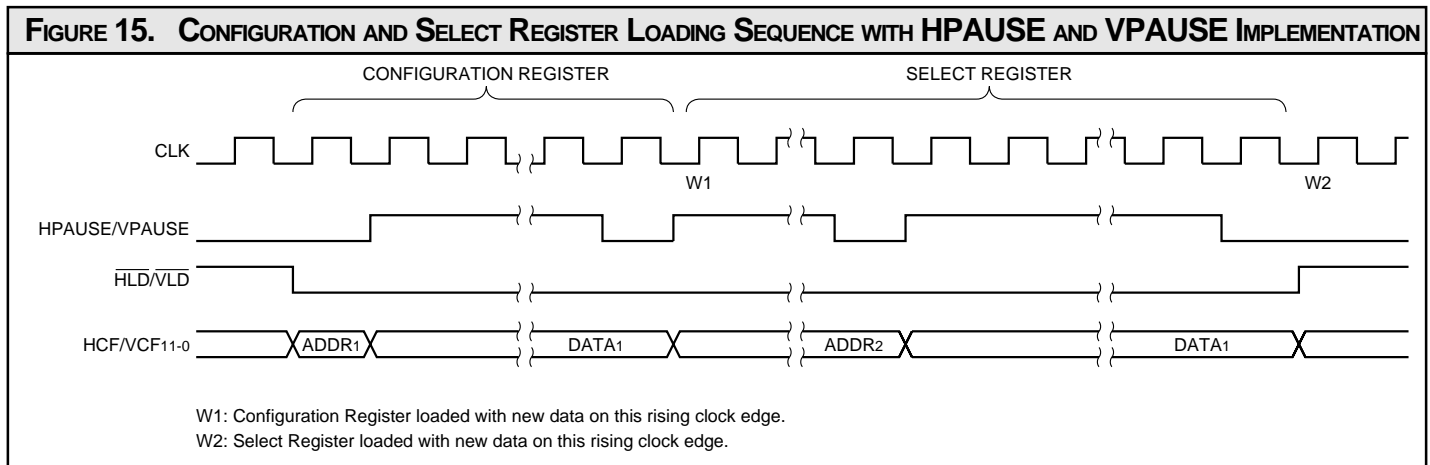
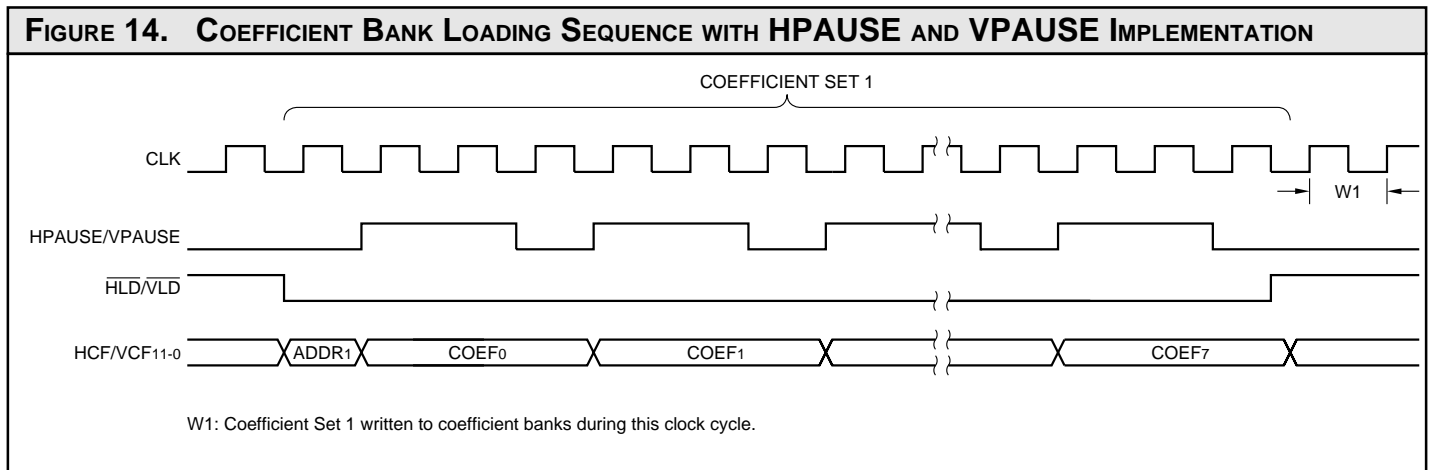
**Horizontal / Vertical Digital Image Filter**

HLD goes LOW, the Horizontal LF Interface™ is enabled for data input. The first value fed into the interface on HCF11-0 is an address which determines what the interface is going to load. The three most significant bits (HCF11-9) determine if the LF Interface™ will load coefficient banks or Configuration/Control Registers (see Table 8). The nine least significant bits (HCF8-0) are the address for whatever is to be loaded (see Tables 9-14). For example, to load address 15 of the horizontal coefficient banks, the first data value into the LF Interface™ should be 00FH. To load horizontal limit register 10, the first data value should be C0AH. The first address value should be loaded into the interface on the same clock cycle that latches the HIGH to LOW transition of HLD (see Figures 12 and 13).

The next value(s) loaded into the interface are the data value(s) which will be stored in the bank or register defined by the address value. When loading coefficient banks, the interface will expect eight values to be loaded into the device after the address value. The eight values are coefficients 0 through 7. When loading select or Configuration Registers, the interface will expect one value after the address value. When loading round registers, the interface will expect four values after the address value. When loading limit registers, the interface will expect two values after the address value. Figures 12 and 13 show the data loading sequences for the coefficient banks and Configuration/Control Registers.

Both HPAUSE and VPAUSE allow the user to effectively slow the rate of data loading through the LF Interface™. When HPAUSE is HIGH, the LF Interface™ affecting the data used for the Horizontal Filter is held until HPAUSE is returned to a LOW. When VPAUSE is HIGH, the LF Interface™ affecting the data used for the Vertical Filter is held until VPAUSE is returned to a LOW. Figures 14 through 17 display the effects of both HPAUSE and VPAUSE while loading coefficient and control data.

Table 15 shows an example of loading data into the coefficient banks. The following data values are written into address 10 of coefficient banks 0 through 7: 210H, 543H, C76H, 9E3H, 701H, 832H, F20H, 143H. Table 16

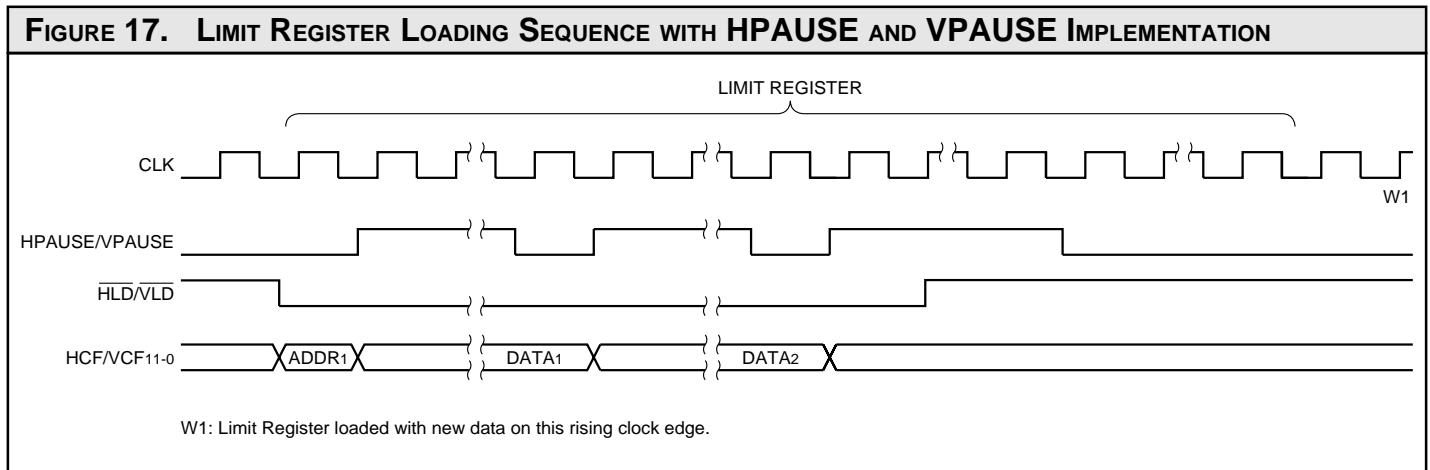
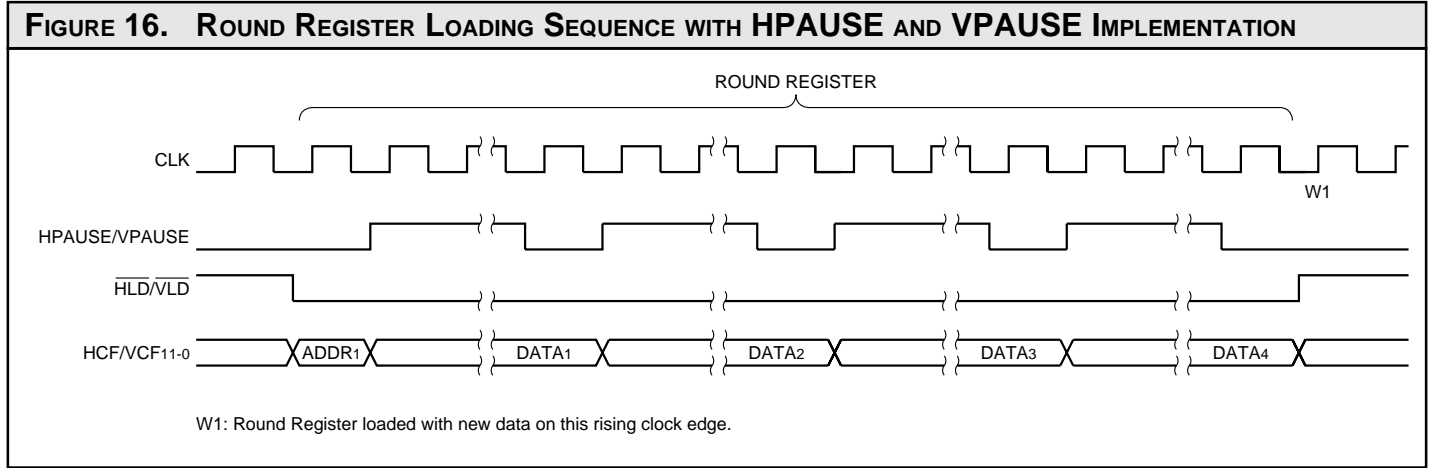


**Horizontal / Vertical Digital Image Filter**

shows an example of loading data into a Configuration Register. Data value 003H is written into Configuration Register 4. Table 17 shows an example of loading data into a round register. Data value 7683F4A2H is

written into horizontal round register 12. Table 18 shows an example of loading data into a select register. Data value 00FH is loaded into horizontal select register 2. Table 19 shows an example of loading data

into vertical limit register 7. Data value 390H is loaded as the lower limit and 743H is loaded as the upper limit.



**TABLE 15. COEFFICIENT BANK LOADING FORMAT**

	H/VCF11	H/VCF10	H/VCF9	H/VCF8	H/VCF7	H/VCF6	H/VCF5	H/VCF4	H/VCF3	H/VCF2	H/VCF1	H/VCF0
<b>1st Word - Address</b>	0	0	0	0	0	0	0	0	1	0	1	0
<b>2nd Word - Bank 0</b>	0	0	1	0	0	0	0	1	0	0	0	0
<b>3rd Word - Bank 1</b>	0	1	0	1	0	1	0	0	0	0	1	1
<b>4th Word - Bank 2</b>	1	1	0	0	0	1	1	1	0	1	1	0
<b>5th Word - Bank 3</b>	1	0	0	1	1	1	1	0	0	0	1	1
<b>6th Word - Bank 4</b>	0	1	1	1	0	0	0	0	0	0	0	1
<b>7th Word - Bank 5</b>	1	0	0	0	0	0	1	1	0	0	1	0
<b>8th Word - Bank 6</b>	1	1	1	1	0	0	1	0	0	0	0	0
<b>9th Word - Bank 7</b>	0	0	0	1	0	1	0	0	0	0	1	1

**Horizontal / Vertical Digital Image Filter**

It takes 9S clock cycles to load S coefficient sets into the device. Therefore, it takes 2304 clock cycles to load all 256 coefficient sets. Assuming an 83 MHz clock rate, all 256 coefficient sets can be updated in 28.8 μs, which is well within vertical blanking time. It takes 5S or 3S clock cycles to load S round or limit registers respectively. Therefore, it takes 256 clock cycles to update all round and limit registers (both horizontal and vertical). Assuming an 83 MHz clock rate,

all horizontal and vertical Round/Limit registers can be updated in 3.08 μs.

The coefficient banks and Configuration/Control Registers are not loaded with data until all data values for the specified address are loaded into the LF Interface™. In other words, the coefficient banks are not written to until all eight coefficients have been loaded into the LF Interface™. A round register is not written to until

all four data values are loaded.

After the last data value is loaded, the interface will expect a new address value on the next clock cycle. After the next address value is loaded, data loading will begin again as previously discussed. As long as data is loaded into the interface,  $\overline{\text{HLD}}$  must remain LOW. After all desired coefficient banks and Configuration/Control Registers are loaded with data, the LF Interface™ must be disabled. This is

**TABLE 16. CONFIGURATION REGISTER LOADING FORMAT**

	H/VCF11	H/VCF10	H/VCF9	H/VCF8	H/VCF7	H/VCF6	H/VCF5	H/VCF4	H/VCF3	H/VCF2	H/VCF1	H/VCF0
<b>1st Word - Address</b>	0	0	1	0	0	0	0	0	0	1	0	0
<b>2nd Word - Data</b>	0	0	0	0	0	0	0	0	0	0	1	1

**TABLE 17. ROUND REGISTER LOADING FORMAT**

	H/VCF11	H/VCF10	H/VCF9	H/VCF8	H/VCF7	H/VCF6	H/VCF5	H/VCF4	H/VCF3	H/VCF2	H/VCF1	H/VCF0
<b>1st Word - Address</b>	1	0	0	0	0	0	0	0	1	1	0	0
<b>2nd Word - Data</b>	R	R	R	R	1	0	1	0	0	0	1	0*
<b>3rd Word - Data</b>	R	R	R	R	1	1	1	1	0	1	0	0
<b>4th Word - Data</b>	R	R	R	R	1	0	0	0	0	0	1	1
<b>5th Word - Data</b>	R	R	R	R	0**	1	1	1	0	1	1	0

R = Reserved. Must be set to "0".

\* This bit represents the LSB of the Round Register.

\*\* This bit represents the MSB of the Round Register.

**Horizontal / Vertical Digital Image Filter**

done by setting  $\overline{\text{HLD}}$  HIGH on the clock cycle after the clock cycle which latches the last data value. It is important that the LF Interface™ remain disabled when not loading data into it.

The horizontal coefficient banks may only be loaded with the Horizontal LF Interface™ and the vertical coefficient banks may only be loaded with the Vertical LF Interface™. The Configuration and Control Registers may be loaded with either the Hori-

zontal or Vertical LF Interfaces™. Since both LF Interfaces™ operate independently of each other, both LF Interfaces™ can load data into their respective coefficient banks at the same time. Or, one LF Interface™ can load the Configuration/Control Registers while the other loads its respective coefficient banks. If both LF Interfaces™ are used to load a configuration or control register at the same time, the Vertical LF Interface™ will be given priority over the Hori-

zontal LF Interface™. For example, if the Horizontal LF Interface™ attempts to load data into a Configuration Register at the same time that the Vertical LF Interface™ attempts to load a horizontal round register, the Vertical LF Interface™ will be allowed to load the round register while the Horizontal LF Interface™ will not be allowed to load the Configuration Register. However, the Horizontal LF Interface™ will continue to function as if the write occurred.

**TABLE 18. SELECT REGISTER LOADING FORMAT**

	H/VCF11	H/VCF10	H/VCF9	H/VCF8	H/VCF7	H/VCF6	H/VCF5	H/VCF4	H/VCF3	H/VCF2	H/VCF1	H/VCF0
<b>1st Word - Address</b>	0	1	0	0	0	0	0	0	0	0	1	0
<b>2nd Word - Data</b>	0	0	0	0	0	0	0	0	1	1	1	1

**TABLE 19. LIMIT REGISTER LOADING FORMAT**

	H/VCF11	H/VCF10	H/VCF9	H/VCF8	H/VCF7	H/VCF6	H/VCF5	H/VCF4	H/VCF3	H/VCF2	H/VCF1	H/VCF0
<b>1st Word - Address</b>	1	1	1	0	0	0	0	0	0	1	1	1
<b>2nd Word - Data</b>	0*	0	1	1	1	0	0	1	0	0	0	0
<b>3rd Word - Data</b>	0**	1	1	1	0	1	0	0	0	0	1	1

\* This bit represents the MSB of the Lower Limit.

\*\* This bit represents the MSB of the Upper Limit.



**Horizontal / Vertical Digital Image Filter**

**MAXIMUM RATINGS** *Above which useful life may be impaired (Notes 1, 2, 3, 8)*

Storage temperature .....	-65°C to +150°C
Operating ambient temperature .....	-55°C to +125°C
VCC supply voltage with respect to ground .....	-0.5 V to +4.5 V
Input signal with respect to ground .....	-0.5 V to 5.5 V
Signal applied to high impedance output .....	-0.5 V to 5.5 V
Output current into low outputs .....	25 mA
Latchup current .....	> 400 mA
ESD Classification (MIL-STD-883E METHOD 3015.7) .....	Class 3

**OPERATING CONDITIONS** *To meet specified electrical and switching characteristics*

Mode	Temperature Range (Ambient)	Supply Voltage
Active Operation, Commercial	0°C to +70°C	3.00 V ≤ VCC ≤ 3.60 V
Active Operation, Military	-55°C to +125°C	3.00 V ≤ VCC ≤ 3.60 V

**ELECTRICAL CHARACTERISTICS** *Over Operating Conditions (Note 4)*

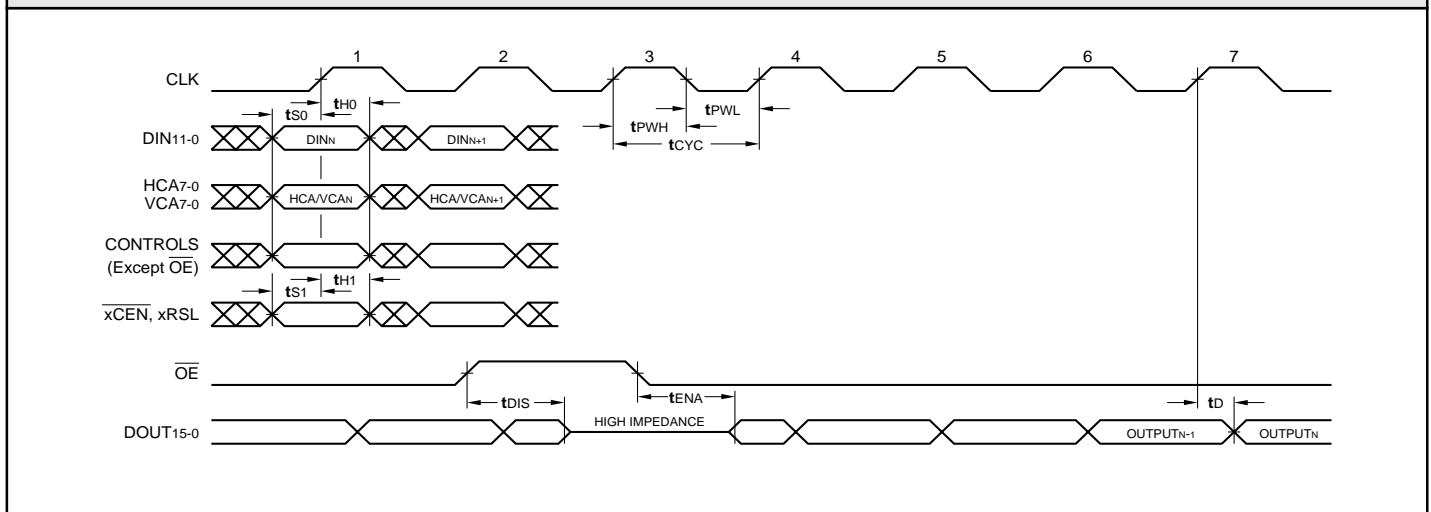
Symbol	Parameter	Test Condition	Min	Typ	Max	Unit
V <sub>OH</sub>	Output High Voltage	V <sub>CC</sub> = Min., I <sub>OH</sub> = -4 mA	2.4			V
V <sub>OL</sub>	Output Low Voltage	V <sub>CC</sub> = Min., I <sub>OL</sub> = 8.0 mA			0.4	V
V <sub>IH</sub>	Input High Voltage		2.0		5.5	V
V <sub>IL</sub>	Input Low Voltage	(Note 3)	0.0		0.8	V
I <sub>IX</sub>	Input Current	Ground ≤ V <sub>IN</sub> ≤ V <sub>CC</sub> (Note 12)			±10	µA
I <sub>OZ</sub>	Output Leakage Current	Ground ≤ V <sub>OUT</sub> ≤ V <sub>CC</sub> (Note 12)			±10	µA
I <sub>CC1</sub>	VCC Current, Dynamic	(Notes 5, 6)			250	mA
I <sub>CC2</sub>	VCC Current, Quiescent	(Note 7)			2	mA
C <sub>IN</sub>	Input Capacitance	T <sub>A</sub> = 25°C, f = 1 MHz			10	pF
C <sub>OUT</sub>	Output Capacitance	T <sub>A</sub> = 25°C, f = 1 MHz			10	pF

**SWITCHING CHARACTERISTICS**

**COMMERCIAL OPERATING RANGE (0°C to +70°C) Notes 9, 10 (ns)**

Symbol		LF3310-							
		25*		18*		15		12	
		Min	Max	Min	Max	Min	Max	Min	Max
t <sub>CYC</sub>	Cycle Time	25		18		15		12	
t <sub>PWL</sub>	Clock Pulse Width Low	10		8		7		5	
t <sub>PWH</sub>	Clock Pulse Width High	10		8		7		5	
t <sub>S0</sub>	Input Setup Time	8		6		5		4	
t <sub>S1</sub>	Input Setup Time (xCEN, xRSL)*	8		6		5		4	
t <sub>H0</sub>	Input Hold Time	1		1		1		1	
t <sub>H1</sub>	Input Hold Time (xCEN, xRSL)*	1.5		1.5		1.5		1.5	
t <sub>D</sub>	Output Delay		13		11		10		8
t <sub>DIS</sub>	Three-State Output Disable Delay (Note 11)		15		13		12		10
t <sub>ENA</sub>	Three-State Output Enable Delay (Note 11)		15		13		12		10

**SWITCHING WAVEFORMS: DATA I/O**

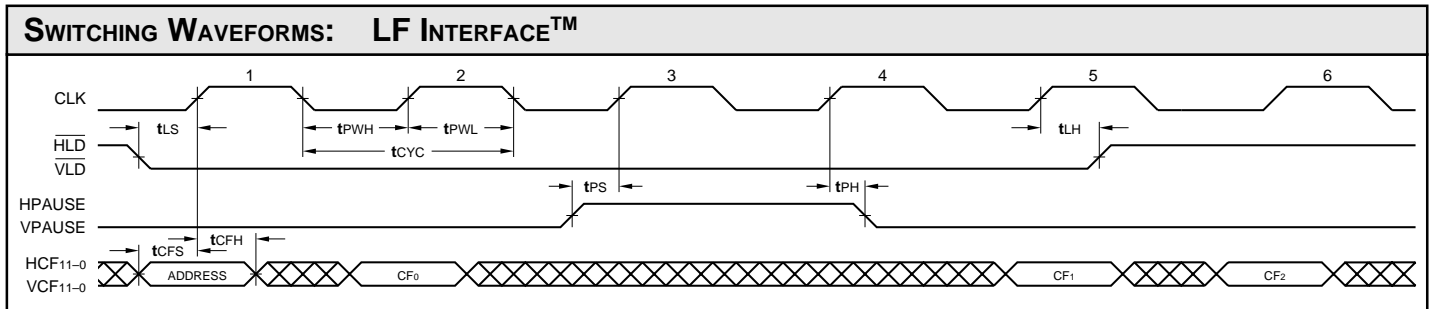


\* The 'x' represents both horizontal and vertical signals for each case.

**\*DISCONTINUED SPEED GRADE**

**Horizontal / Vertical Digital Image Filter**

<b>COMMERCIAL OPERATING RANGE (0°C to +70°C) Notes 9, 10 (ns)</b>									
<b>Symbol</b> <b>Parameter</b>		<b>LF3310-</b>							
		<b>25*</b>		<b>18*</b>		<b>15</b>		<b>12</b>	
		<b>Min</b>	<b>Max</b>	<b>Min</b>	<b>Max</b>	<b>Min</b>	<b>Max</b>	<b>Min</b>	<b>Max</b>
tCFS	Coefficient Input Setup Time	8		6		5		5	
tCFH	Coefficient Input Hold Time	1		1		1		1.5	
tLS	Load Setup Time	8		6		5		4	
tLH	Load Hold Time	1		1		1		1.5	
tPS	PAUSE Setup Time	8		6		5		4	
tPH	PAUSE Hold Time	1.5		1.5		1.5		1.5	



**\*DISCONTINUED SPEED GRADE**

**NOTES**

1. Maximum Ratings indicate stress specifications only. Functional operation of these products at values beyond those indicated in the Operating Conditions table is not implied. Exposure to maximum rating conditions for extended periods may affect reliability.
2. The products described by this specification include internal circuitry designed to protect the chip from damaging substrate injection currents and accumulations of static charge. Nevertheless, conventional precautions should be observed during storage, handling, and use of these circuits in order to avoid exposure to excessive electrical stress values.
3. This device provides hard clamping of transient undershoot. Input levels below ground will be clamped beginning at -0.6 V. The device can withstand indefinite operation with inputs or outputs in the range of -0.5 V to +5.5 V. Device operation will not be adversely affected, however, input current levels will be well in excess of 100 mA.
4. Actual test conditions may vary from those designated but operation is guaranteed as specified.
5. Supply current for a given application can be accurately approximated by:
 
$$\frac{NCV^2F}{4}$$
 where  
 N = total number of device outputs  
 C = capacitive load per output  
 V = supply voltage  
 F = clock frequency
6. Tested with outputs changing every cycle and no load, at a 40 MHz clock rate.
7. Tested with all inputs within 0.1 V of VCC or Ground, no load.
8. These parameters are guaranteed but not 100% tested.

9. AC specifications are tested with input transition times less than 3 ns, output reference levels of 1.5 V (except tDIS test), and input levels of nominally 0 to 3.0 V. Output loading may be a resistive divider which provides for specified IOH and IOL at an output voltage of VOH min and VOL max respectively. Alternatively, a diode bridge with upper and lower current sources of IOH and IOL respectively, and a balancing voltage of 1.5 V may be used. Parasitic capacitance is 30 pF minimum, and may be distributed.

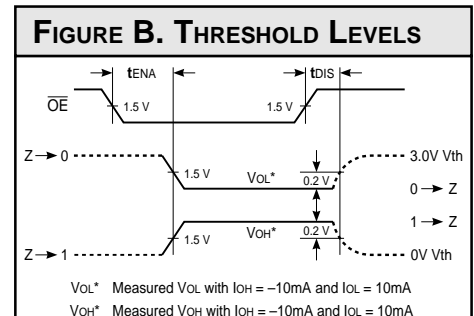
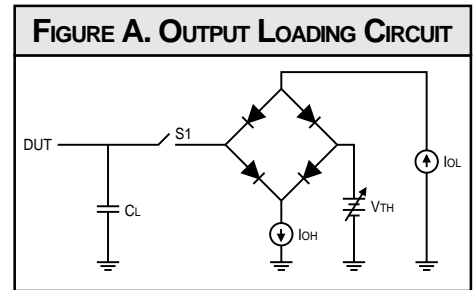
This device has high-speed outputs capable of large instantaneous current pulses and fast turn-on/turn-off times. As a result, care must be exercised in the testing of this device. The following measures are recommended:

- a. A 0.1 μF ceramic capacitor should be installed between VCC and Ground leads as close to the Device Under Test (DUT) as possible. Similar capacitors should be installed between device VCC and the tester common, and device ground and tester common.
- b. Ground and VCC supply planes must be brought directly to the DUT socket or contactor fingers.
- c. Input voltages on a test fixture should be adjusted to compensate for inductive ground and VCC noise to maintain required DUT input levels relative to the DUT ground pin.

10. Each parameter is shown as a minimum or maximum value. Input requirements are specified from the point of view of the external system driving the chip. Setup time, for example, is specified as a minimum since the external system must supply at least that much time to meet the worst-case requirements of all parts. Responses from the internal circuitry are specified from the point of view of the device. Output delay, for example, is specified as a maximum since worst-case operation of any device always provides data within that time.

11. For the tENA test, the transition is measured to the 1.5 V crossing point with datasheet loads. For the tDIS test, the transition is measured to the ±200mV level from the measured steady-state output voltage with ±10mA loads. The balancing voltage, VTH, is set at 3.0 V for Z-to-0 and 0-to-Z tests, and set at 0 V for Z-to-1 and 1-to-Z tests.

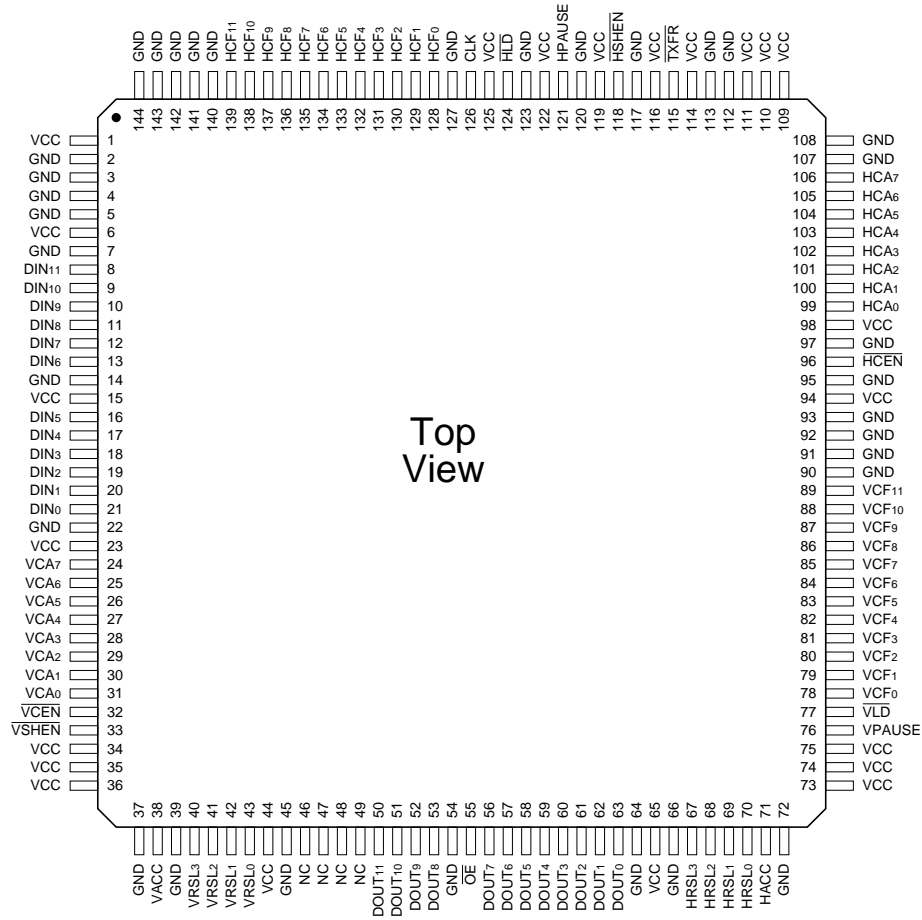
12. These parameters are only tested at the high temperature extreme, which is the worst case for leakage current.



**Horizontal / Vertical Digital Image Filter**

**ORDERING INFORMATION**

144-pin



<b>Speed</b>	<b>Plastic Quad Flatpack (Q5)</b>	
	<b>0°C to +70°C — COMMERCIAL SCREENING</b>	
15 ns	LF3310QC15	
12 ns	LF3310QC12	
	<b>-55°C to +125°C — COMMERCIAL SCREENING</b>	
	<b>-55°C to +125°C — MIL-STD-883 COMPLIANT</b>	