



IRP2406T14-B50

SMD Type 940nm Infrared Emitter

Features

- Small double-end package
- Viewing Angle at X axis (Note3) = $\pm 75^\circ$
- High reliability
- Good spectral matching to Si photo detector
- RoHS compliance

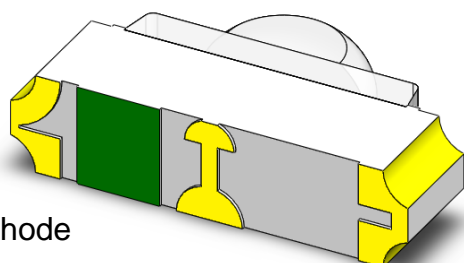
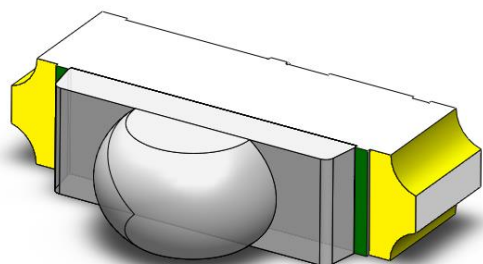
Applications

- Infrared sensor
- Light barrier
- Infrared Touch Panel Solutions

Description

The IRP2406T14-B50 is a GaAlAs infrared LED housed in a miniature SMD package. The device has a peak wavelength of 940nm LED spectrally matched with phototransistor or photodiode.

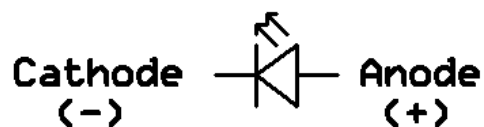
Package Outline



Cathode

Anode

Schematic





Absolute Maximum Rating at 25°C

Symbol	Parameters	Ratings	Units	Notes
I _F	Continuous Forward Current	70	mA	
I _{FP}	Peak Forward Current	0.7	A	1
V _R	Reverse Voltage	5	V	
T _{opr}	Operating Temperature	-40 ~ +85	°C	
T _{stg}	Storage Temperature	-40 ~ +100	°C	
T _{sol}	Soldering Temperature	260	°C	2
P _D	Power Dissipation at(or below) 25°C Free Air Temperature	119	mW	
R _{THJA}	Junction to Ambient Thermal Resistance	540	°C/W	

Electro-Optical Characteristics TA = 25°C (unless otherwise specified)

Optical Characteristics

Symbol	Parameters	Test Conditions	Min	Typ	Max	Units	Notes
I _e	Radiant Intensity	I _F =20mA	1.10	1.60	-	mW/sr	
		I _F =70mA		5.48	-		
λ _p	Peak Wavelength	I _F =20mA	-	940	-	nm	
Δλ	Spectral Bandwidth	I _F =20mA	-	50	-	nm	
θ _{1/2}	Angle of Half Intensity (X)	I _F =20mA	-	±75	-	deg	3
	Angle of Half Intensity (Y)		-	±52.5	-		

Electrical Characteristics

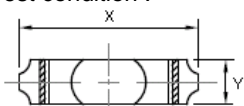
Symbol	Parameters	Test Conditions	Min	Typ	Max	Units	Notes
V _F	Forward Voltage	I _F =20mA	1.0	1.22	1.5	V	
		I _F =70mA	1.1	1.34	1.7		
I _R	Reverse Current	V _R =5V	-	-	10	μA	

Notes:

1 : I_{FP} Conditions--Pulse Width ≤ 100μs and Duty ≤ 1%.

2 : Soldering time ≤ 5 seconds.

3 : Test condition :





Typical Characteristic Curves

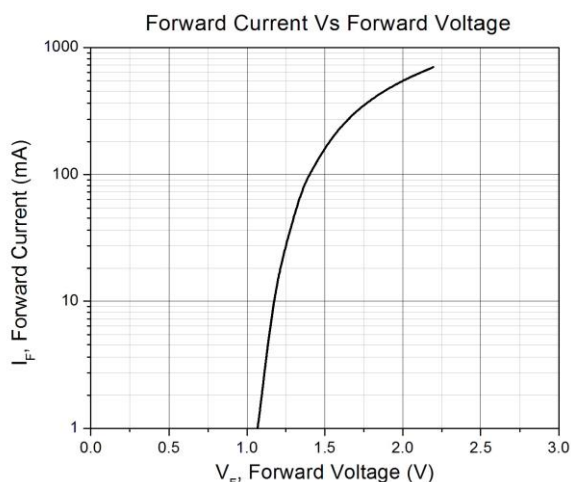


Figure 1

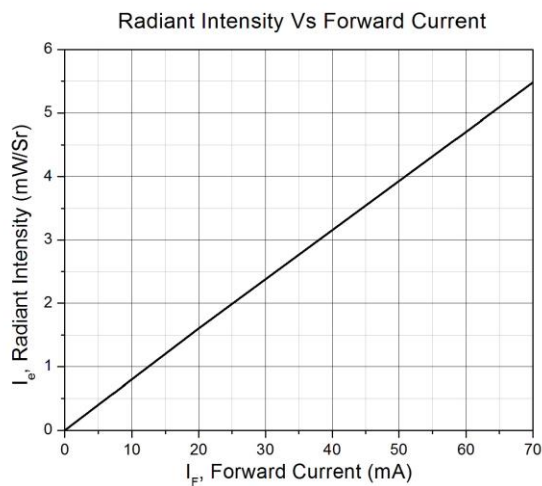


Figure 2

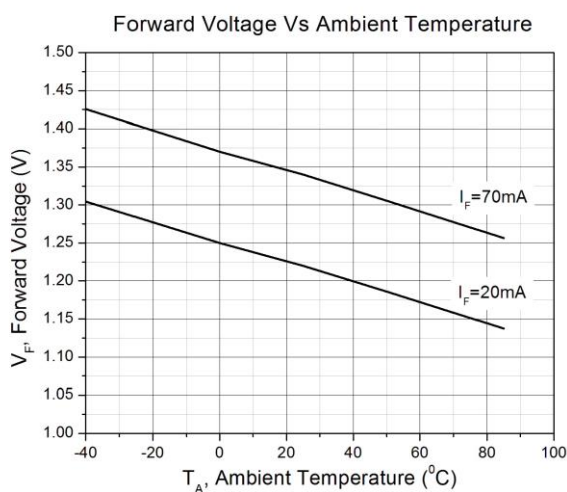


Figure 3

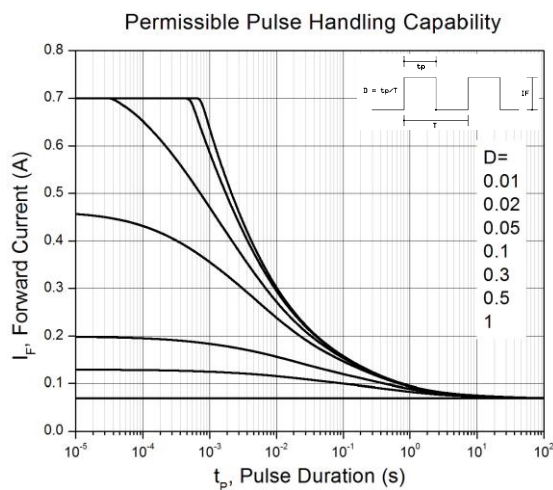


Figure 4

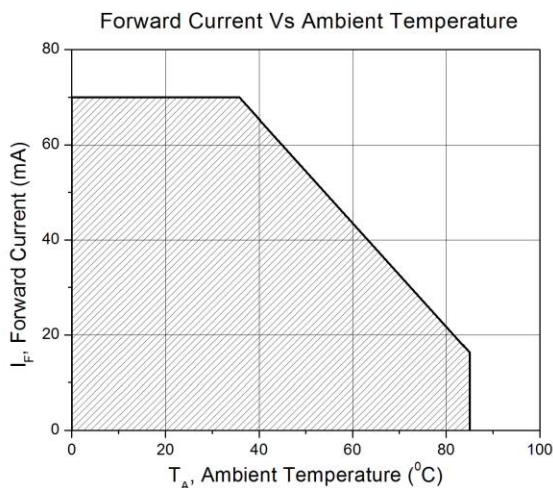


Figure 5

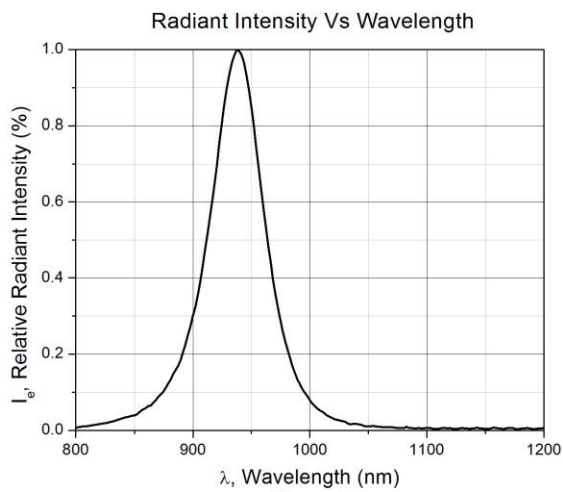


Figure 6



Typical Characteristic Curves

Angular Displacement at X axis

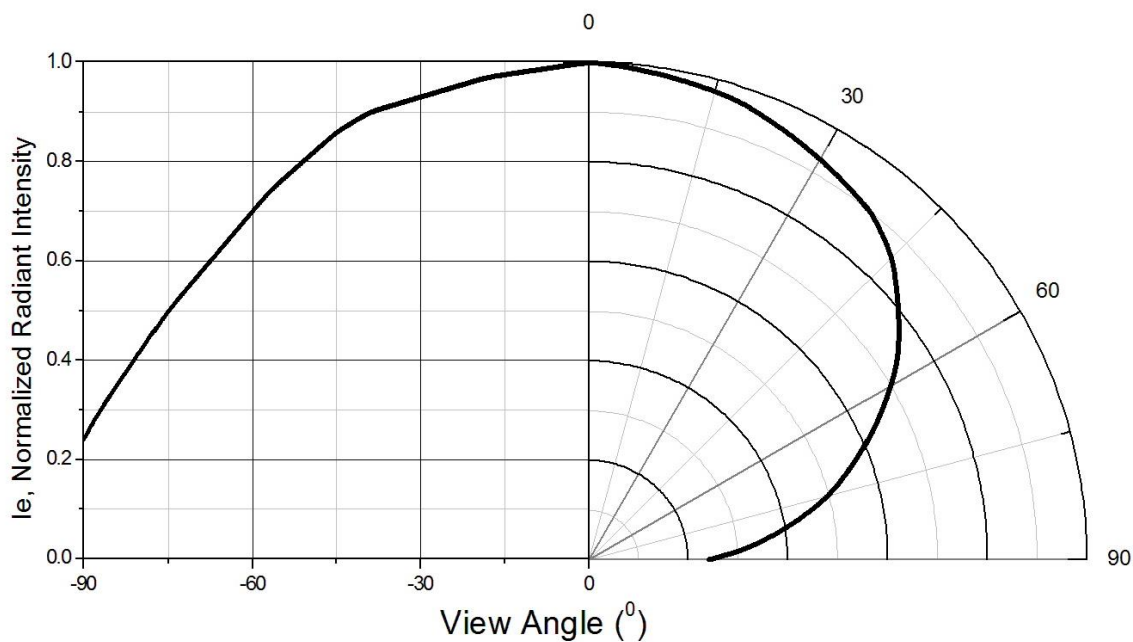


Figure 7

Angular Displacement at Y axis

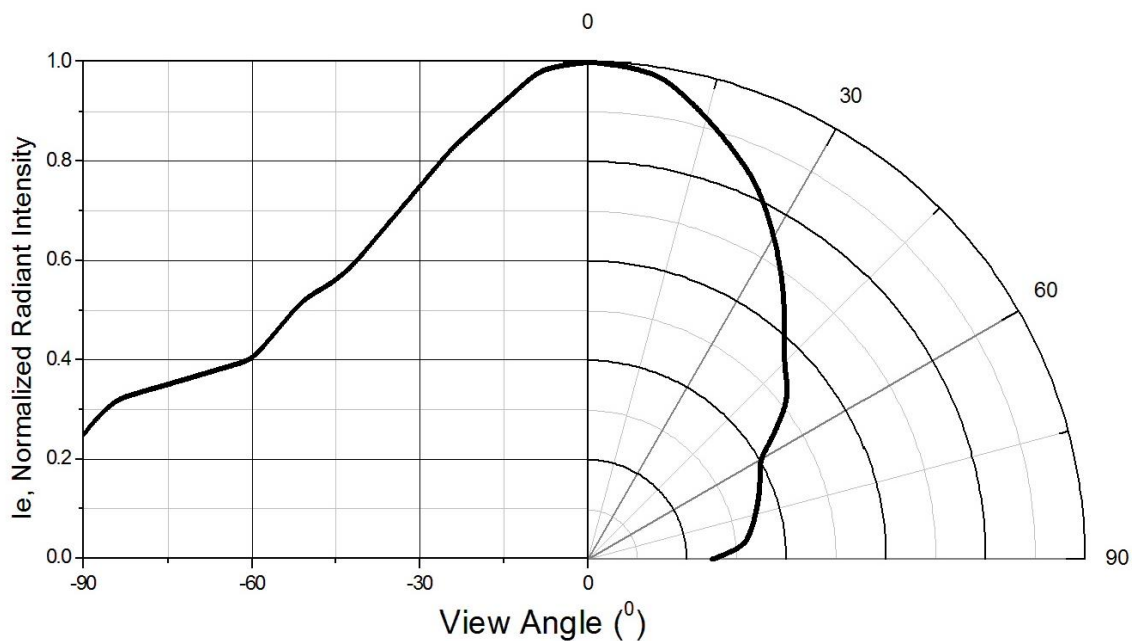


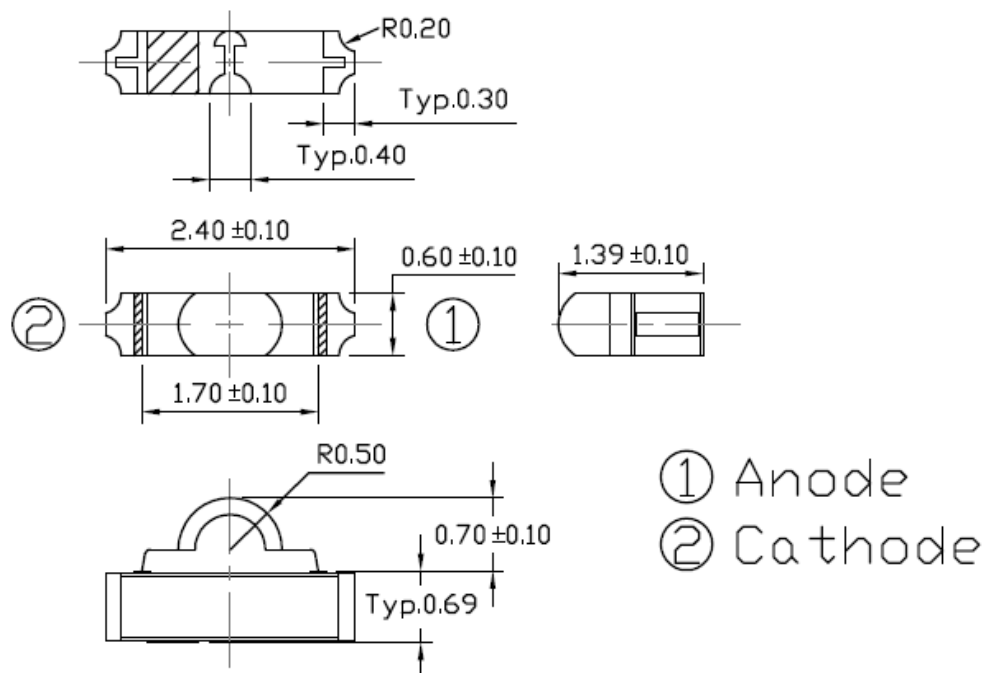
Figure 8



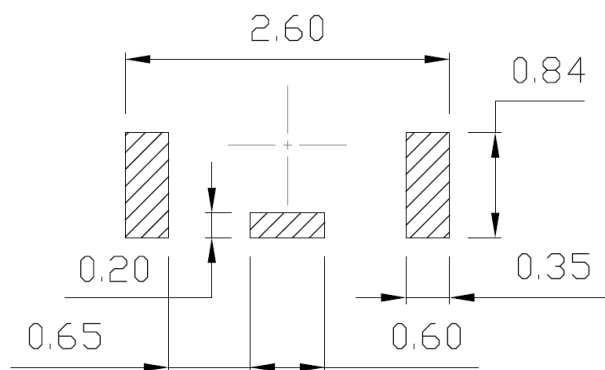
IRP2406T14-B50

SMD Type 940nm Infrared Emitter

Package Dimension *All dimensions are in mm, unless otherwise stated*



Recommended Soldering Mask *All dimensions are in mm, unless otherwise stated*



Ordering Information

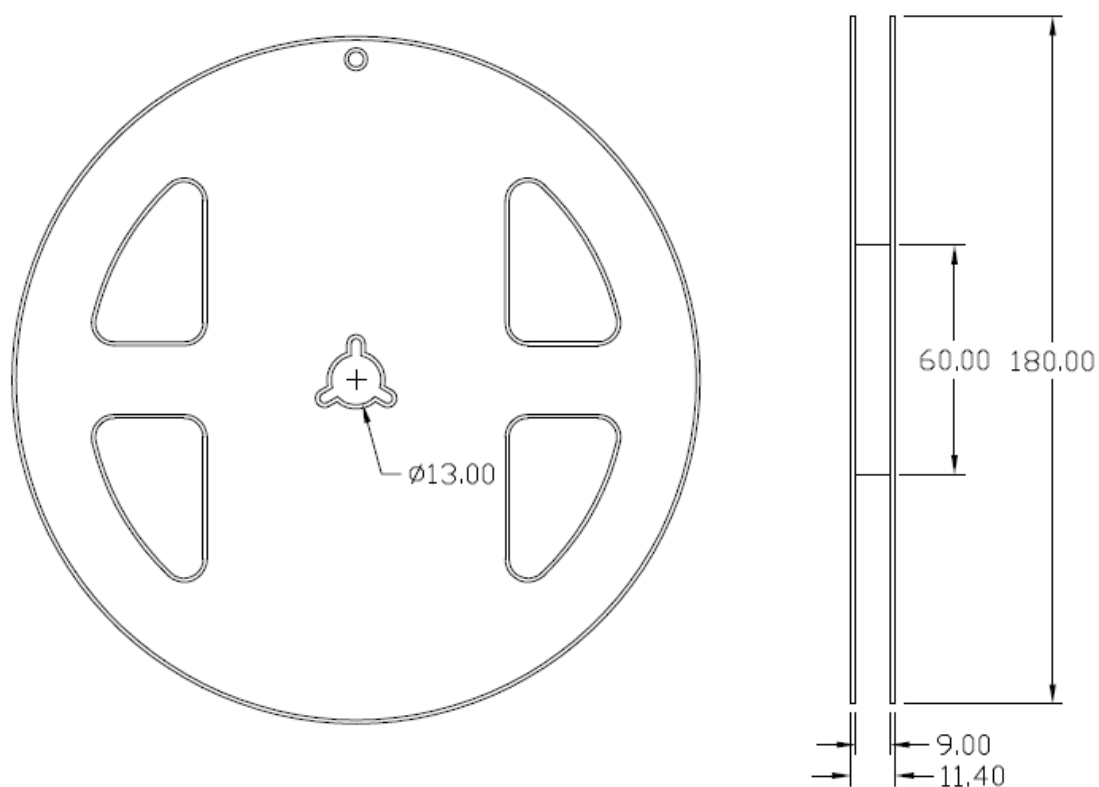
Part Number	Description	Quantity
IRP2406T14-B50	Tape & Reel	5000 pcs



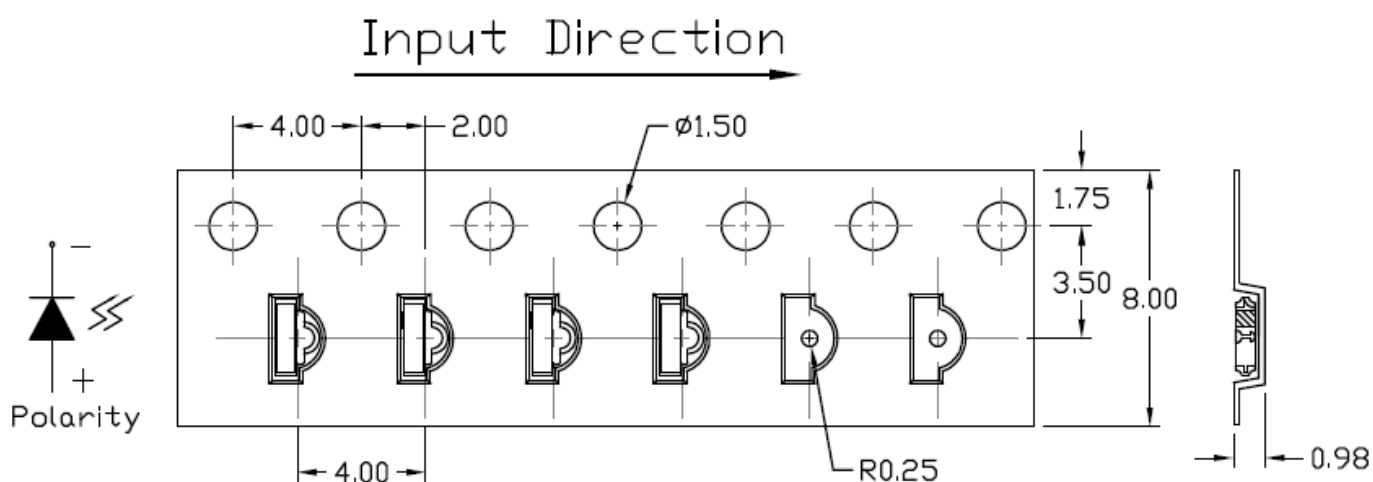
IRP2406T14-B50

SMD Type 940nm Infrared Emitter

Reel Dimension *All dimensions are in mm, unless otherwise stated*

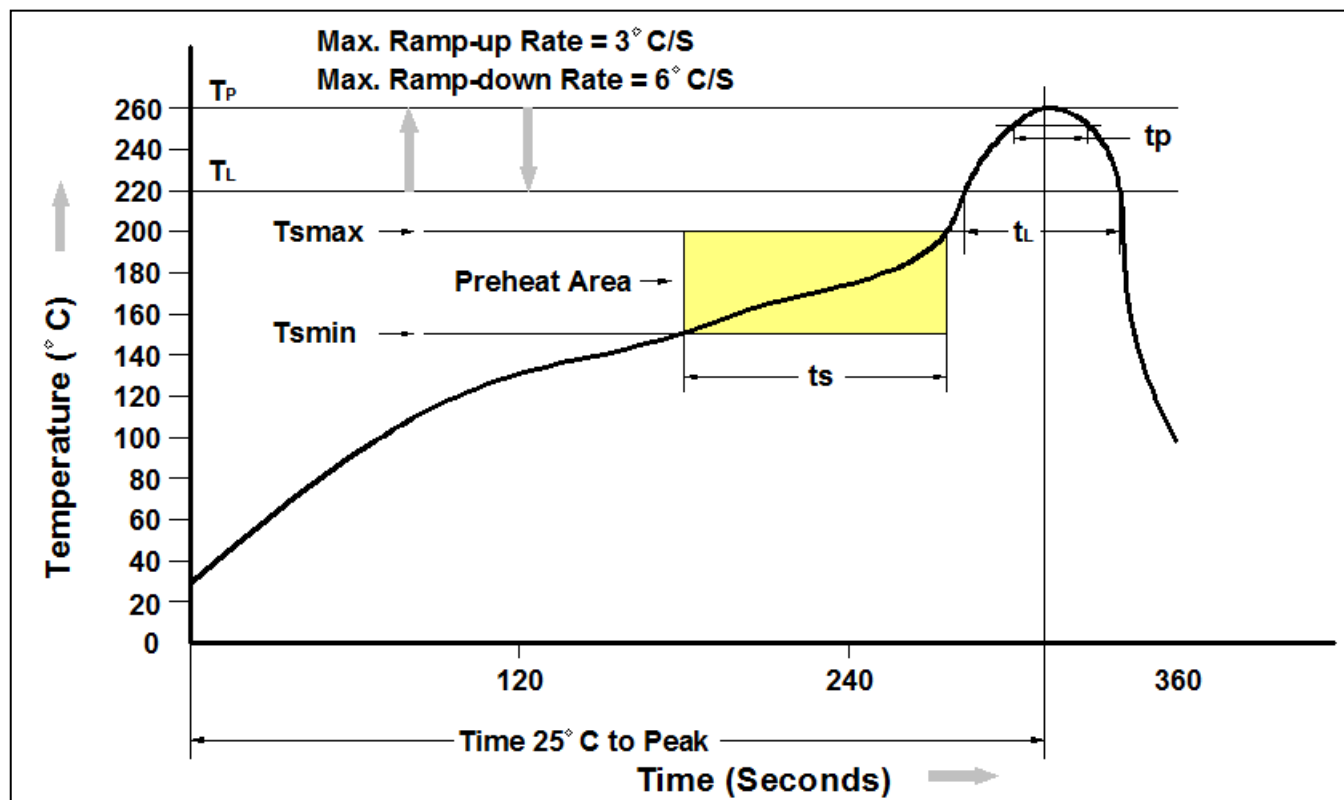


Tape Dimension *All dimensions are in mm, unless otherwise stated*





Reflow Profile



Profile Feature	Pb-Free Assembly Profile
Temperature Min. (Tsmin)	150°C
Temperature Max. (Tsmax)	200°C
Time (ts) from (Tsmin to Tsmax)	60-120 seconds
Ramp-up Rate (t _L to t _P)	3°C/second max.
Liquidous Temperature (T _L)	217°C
Time (t _L) Maintained Above (T _L)	60 – 150 seconds
Peak Body Package Temperature	260°C +0°C / -5°C
Time (t _P) within 5°C of 260°C	30 seconds
Ramp-down Rate (T _P to T _L)	6°C/second max
Time 25°C to Peak Temperature	8 minutes max.



DISCLAIMER

CT MICRO RESERVES THE RIGHT TO MAKE CHANGES WITHOUT FURTHER NOTICE TO ANY PRODUCTS HEREIN TO IMPROVE RELIABILITY, FUNCTION OR DESIGN. CT MICRO DOES NOT ASSUME ANY LIABILITY ARISING OUT OF THE APPLICATION OR USE OF ANY PRODUCT OR CIRCUIT DESCRIBED HEREIN; NEITHER DOES IT CONVEY ANY LICENSE UNDER ITS PATENT RIGHTS, NOR THE RIGHTS OF OTHERS.

CT MICRO ARE NOT AUTHORIZED FOR USE AS CRITICAL COMPONENTS IN LIFE SUPPORT DEVICES OR SYSTEMS WITHOUT EXPRESS WRITTEN APPROVAL OF CT MICRO INTERNATIONAL CORPORATION.

- 1. Life support devices or systems are devices or systems which, (a) are intended for surgical implant into the body, or (b) support or sustain life, or (c) whose failure to perform when properly used in accordance with instruction for use provided in the labelling, can be reasonably expected to result in significant injury to the user.*
- 2. A critical component is any component of a life support device or system whose failure to perform can be reasonably expected to cause the failure of the life support device or system, or to affect its safety or effectiveness.*