



Constant current type 1-CH H-bridge driver IC

Features

- Low voltage operation (VDD min=2.5V)
- Low saturation voltage (sum of upside transistor and bottom side transistor is 0.3V at 200mA)
- Low input current.
- Low current consumption (sleep mode with zero current drain when EN is low.)
- Build-in thermal shutdown (TSD, 150°C).
- Small package:SOT-23-8 or TDFN 2X2-8

Applications

- Shutter or Iris controller for DSC
- Shutter or Iris controller for Mobile phone.

General Description

G2004 is a constant current type 1-CH H-bridge driver IC with small package (SOT-23-8 or TDFN 2X2-8). It is one channel constant current (200mA) with H-bridge motor driver IC. It is suitable for camera module application for DSC and Mobile phone.

Ordering Information

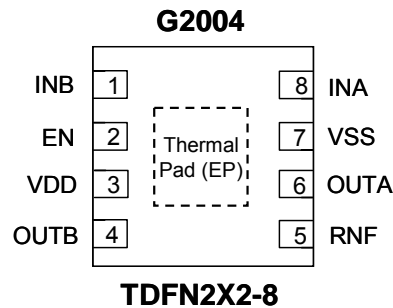
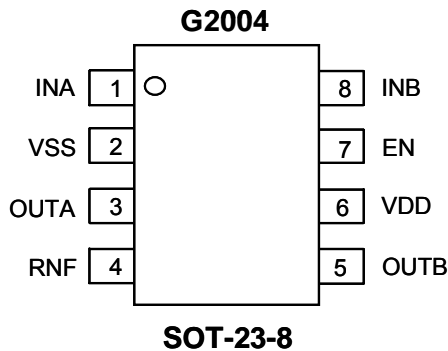
ORDER NUMBER	MARKING	TEMP. RANGE	PACKAGE (Green)
G2004TM1U	2004x	-20°C to +85°C	SOT-23-8
G2004RC1U	2004	-20°C to +85°C	TDFN2X2 -8

Note: TM: SOT-23-8 RC:TDFN2X2-8

1: Bonding Code

U: Tape & Reel

Pin Configurations



Note: Recommend connecting the Thermal Pad (EP) to the Ground for excellent power dissipation.