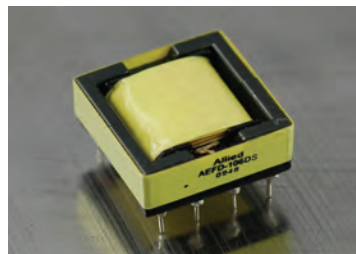




# HIGH FREQUENCY TRANSFORMER

AEFD-106DS

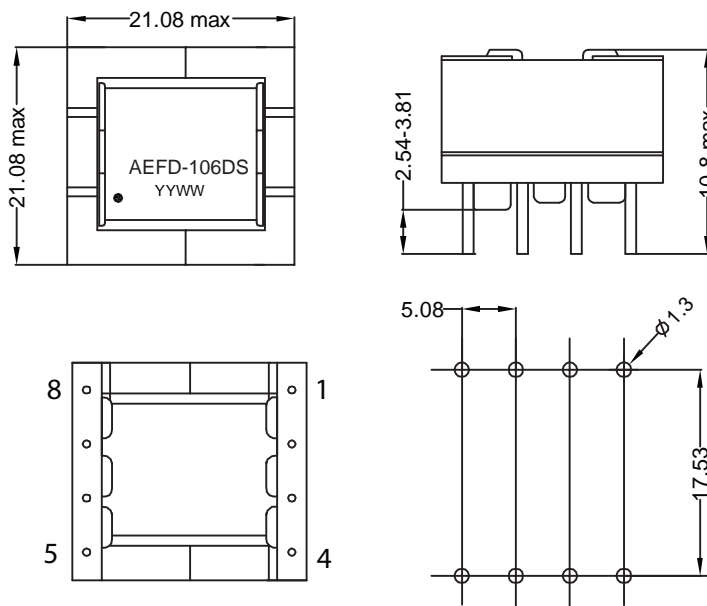
- IEC60950 Compatible
- High insulation type High efficiency
- RoHS Compliant
- Operating temperature range: 0°C to +70°C
- Storage temperature range: -25°C to +125°C



Electrical Specifications @25°C							
Part Number	Turns Ratio @100KHz,1V	Inductance @100KHz,1V	DCR @25° C			HI-POT	
	(1,2-7,8):(3-6):(4-5)	1,2-7,8	1-8(1+2,7+8)	3-6	4-5	1-4(1+2,3+4)	3-5
AEFD-106DS	9:9:9±1%	2uH± 10%	0.015 max	0.015 max	0.017 max	VAC625 3mA 60S	

All specifications subject to change without notice.

## MECHANICAL



Unless otherwise specified all tolerances are: ±0.25 in mm

## SCHEMATICS

