

PLEASE CHECK WWW.MOLEX.COM FOR LATEST PART INFORMATION

Part Number: [39880-0780](#)
Status: **Active**
Overview: Eurostyle™ Terminal Blocks
Description: 5.08mm Pitch Beau™ Eurostyle™ High Profile, Two Level Terminal Block, Modular, 80 Circuits

Documents:

[3D Model](#) [RoHS Certificate of Compliance \(PDF\)](#)
[Drawing \(PDF\)](#)

General

Product Family	Terminal Blocks
Series	39880
Application	N/A
Component Type	One Piece
Overview	Eurostyle™ Terminal Blocks
Product Name	Eurostyle™Multi-Level
Type	Euro Block
UPC	822348699070

Physical

Circuits (Loaded)	80
Circuits (maximum)	80
Entry Angle	N/A
Lock to Mating Part	None
Net Weight	185.974/g
Number of Rows	2
Orientation	Vertical
PC Tail Length	4.00mm
PCB Retention	None
PCB Thickness - Recommended	1.57mm
Panel Mount	No
Pitch - Mating Interface	5.08mm
Pitch - Termination Interface	5.08mm
Polarized to Mating Part	N/A
Shrouded	Fully
Stackable	No
Surface Mount Compatible (SMC)	No
Temperature Range - Operating	110°C
Wire Size AWG	16, 18, 20, 22, 24, 26, 28, 30

Electrical

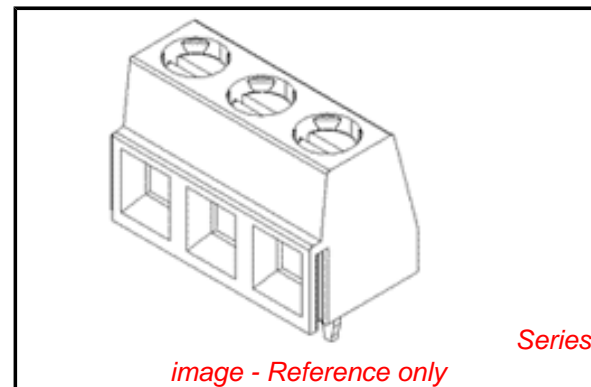
Current - Maximum per Contact	24A
Voltage - Maximum	300V

Material Info

Old Part Number	882480
-----------------	--------

Reference - Drawing Numbers

Sales Drawing	SD-39880-006
---------------	--------------



EU RoHS

**ELV and RoHS
Compliant**
REACH SVHC
 Not Reviewed
Low-Halogen Status
 Not Reviewed

China RoHS



**Need more information on product
environmental compliance?**

Email productcompliance@molex.com
 For a multiple part number RoHS Certificate of
 Compliance, [click here](#)

Please visit the [Contact Us](#) section for any
 non-product compliance questions.

Search Parts in this Series

[39880Series](#)

Mates With

N/A