



7N10Z

Power MOSFET

7A, 100V N-CHANNEL POWER MOSFET

DESCRIPTION

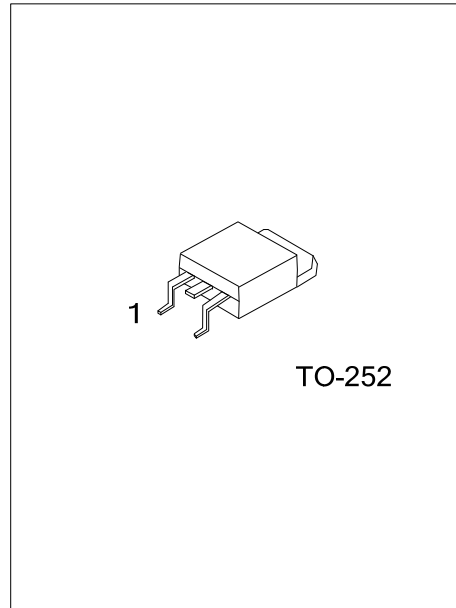
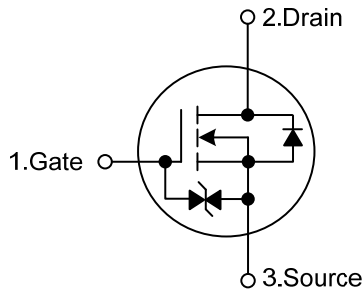
The UTC **7N10Z** is an N-Channel enhancement mode power MOSFET providing customers with excellent switching performance and minimum on-state resistance. The UTC **7N10Z** uses planar stripe and DMOS technology to provide perfect quality. This device can also withstand high energy pulse in the avalanche and the commutation mode.

The UTC **7N10Z** is generally applied in low voltage applications, such as DC motor controls, audio amplifiers and high efficiency switching DC/DC converters.

FEATURES

- * $R_{DS(ON)} < 0.35\Omega @ V_{GS}=10V, I_D=3.5A$
- * Fast Switching
- * Improved dv/dt Capability

SYMBOL



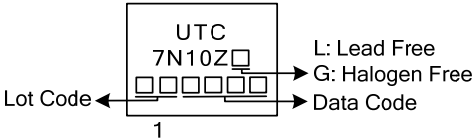
ORDERING INFORMATION

Ordering Number		Package	Pin Assignment			Packing
Lead Free	Halogen Free		1	2	3	
7N10ZL-TN3-R	7N10ZG-TN3-R	TO-252	G	D	S	Tape Reel

Note: Pin Assignment: G: Gate D: Drain S: Source

<p>7N10ZL-TN3-R</p>	<p>(1) R: Tape Reel</p> <p>(2) TN3: TO-252</p> <p>(3) L: Lead Free, G: Halogen Free and Lead Free</p>
---------------------	---

MARKING



■ ABSOLUTE MAXIMUM RATINGS (T_C=25°C, unless otherwise specified)

PARAMETER	SYMBOL	RATINGS	UNIT
Drain -Source Voltage	V _{DSS}	100	V
Gate-Source Voltage	V _{GSS}	±20	V
Continuous Drain Current T _C =25°C	I _D	7	A
Pulsed Drain Current (Note 2)	I _{DM}	28	A
Single Pulsed Avalanche Energy (Note 3)	E _{AS}	50	mJ
Power Dissipation	P _D	2.5	W
Derate above 25°C		0.02	W/°C
Operating Junction Temperature	T _J	-55 ~ +150	°C
Storage Temperature	T _{STG}	-55 ~ +150	°C

Note: 1. Absolute maximum ratings are those values beyond which the device could be permanently damaged.

Absolute maximum ratings are stress ratings only and functional device operation is not implied.

2. Repetitive Rating : Pulse width limited by maximum junction temperature

3. L =26mH, I_{AS} =7A, V_{DD} =25V, R_G =25Ω Starting T_J =25°C

■ THERMAL DATA

PARAMETER	SYMBOL	RATINGS	UNIT
Junction to Ambient	θ _{JA}	50	°C/W

Note: When mounted on the minimum pad size recommended (PCB Mount)

■ ELECTRICAL CHARACTERISTICS (T_C=25°C, unless otherwise specified)

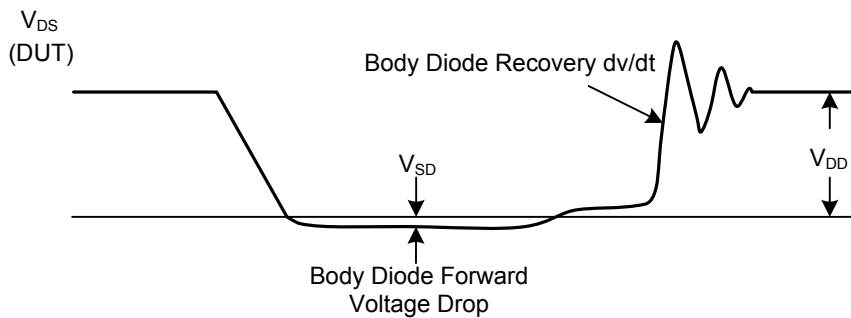
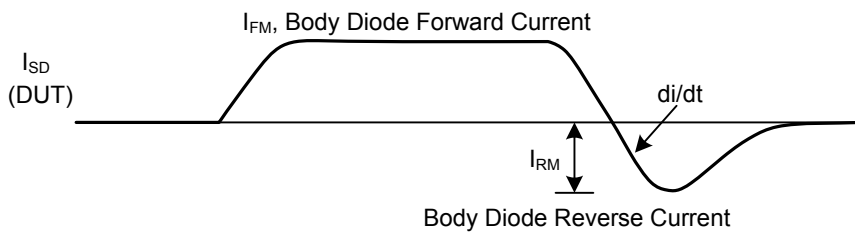
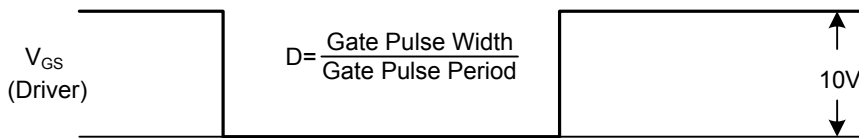
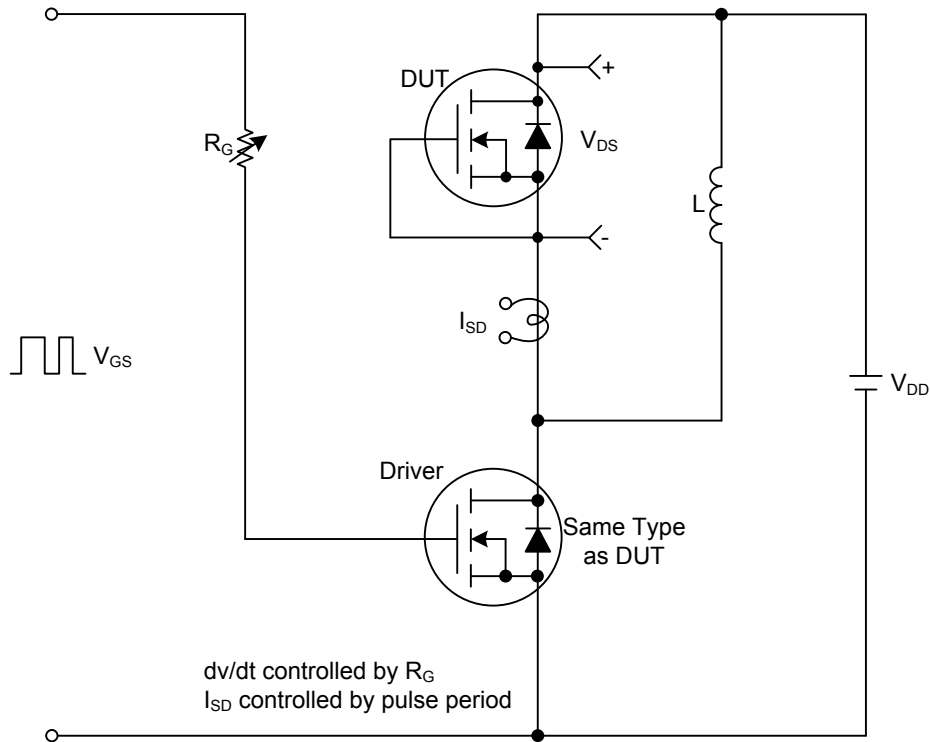
PARAMETER	SYMBOL	TEST CONDITIONS	MIN	TYP	MAX	UNIT
OFF CHARACTERISTICS						
Drain-Source Breakdown Voltage	BV _{DSS}	V _{GS} =0V, I _D =250μA	100			V
Drain-Source Leakage Current	I _{DSS}	V _{DS} =100V, V _{GS} =0V			1	μA
Gate-Source Leakage Current	I _{GSS}	V _{GS} =±20V, V _{DS} =0V			±10	μA
ON CHARACTERISTICS						
Gate Threshold Voltage	V _{GS(TH)}	V _{DS} = V _{GS} , I _D =250μA	2.0		4.0	V
Static Drain-Source On-Resistance	R _{DS(ON)}	V _{GS} =10V, I _D =3.5A		0.145	0.35	Ω
DYNAMIC PARAMETERS						
Input Capacitance	C _{ISS}	V _{DS} =25V, V _{GS} =0V, f=1.0MHz		420	450	pF
Output Capacitance	C _{OSS}			80	100	pF
Reverse Transfer Capacitance	C _{RSS}			11	15	pF
SWITCHING PARAMETERS						
Total Gate Charge	Q _G	V _{GS} =10V, V _{DS} =50V, I _D =1.3A (Note 1,2)		9.5		nC
Gate Source Charge	Q _{GS}			1		nC
Gate Drain Charge	Q _{GD}			2.5		nC
Turn-ON Delay Time	t _{D(ON)}	V _{DD} =30V, I _D =0.5A, R _G =25Ω (Note 1,2)		33	40	ns
Turn-ON Rise Time	t _R			35	42	ns
Turn-OFF Delay Time	t _{D(OFF)}			94	116	ns
Turn-OFF Fall-Time	t _F			35	40	ns
SOURCE- DRAIN DIODE RATINGS AND CHARACTERISTICS						
Maximum Continuous Drain-Source Diode Forward Current	I _S				7	A
Maximum Pulsed Drain-Source Diode Forward Current	I _{SM}				28	A
Drain-Source Diode Forward Voltage	V _{SD}	I _S =7A, V _{GS} =0V			1.5	V

Notes: 1. Pulse Test : Pulse width ≤ 300μs, Duty cycle ≤ 2%

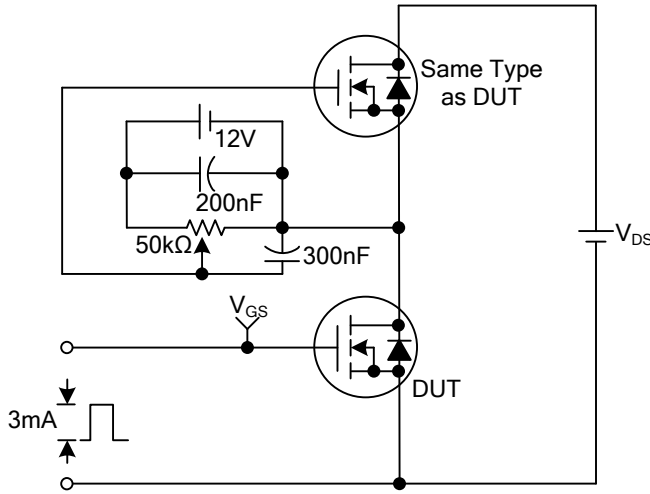
2. Essentially independent of operating temperature

■ TEST CIRCUITS AND WAVEFORMS

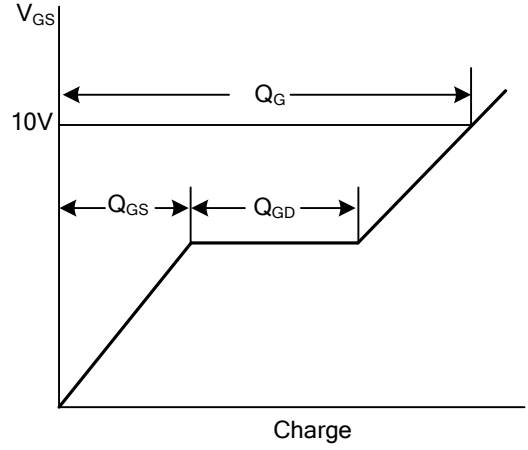
Peak Diode Recovery dv/dt Test Circuit & Waveforms



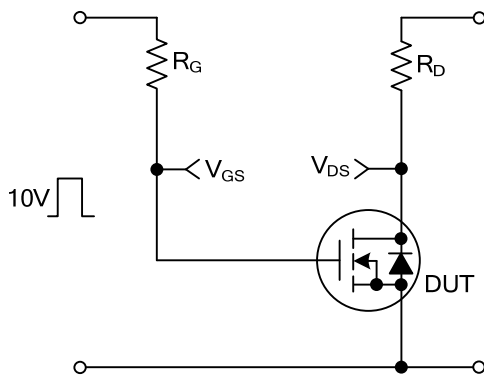
■ TEST CIRCUITS AND WAVEFORMS (Cont.)



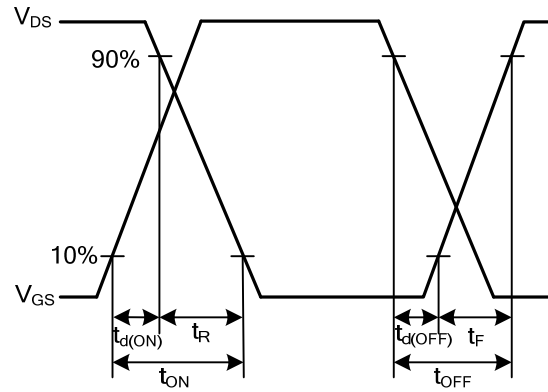
Gate Charge Test Circuit



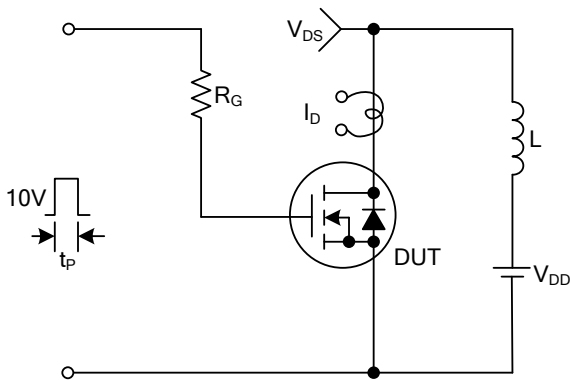
Gate Charge Waveforms



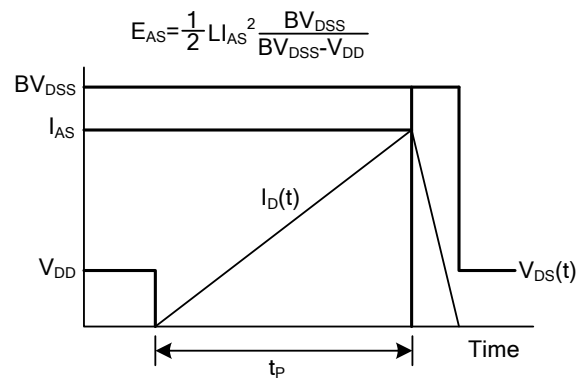
Resistive Switching Test Circuit



Resistive Switching Waveforms

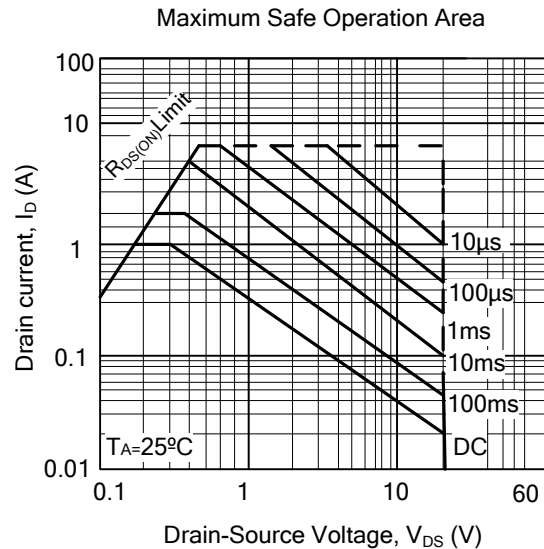
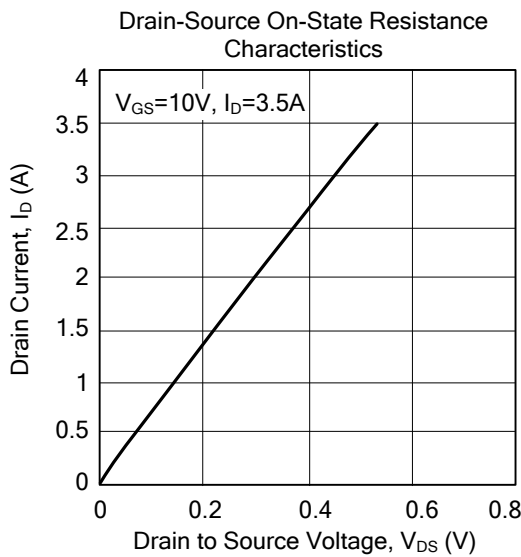
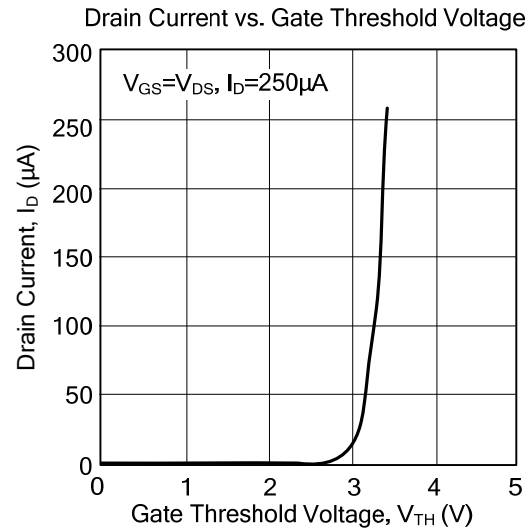
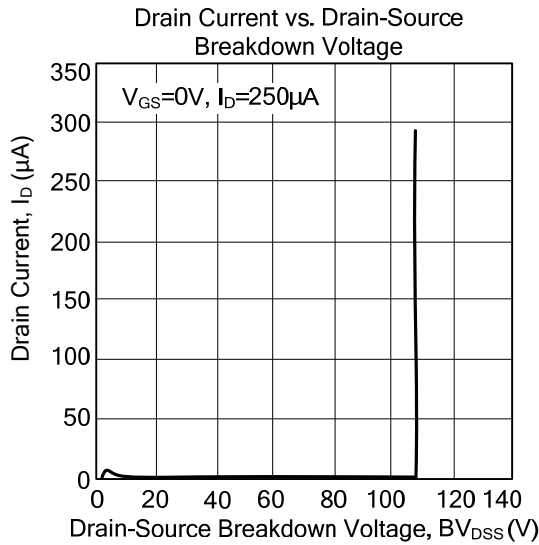


Unclamped Inductive Switching Test Circuit



Unclamped Inductive Switching Waveforms

TYPICAL CHARACTERISTICS



UTC assumes no responsibility for equipment failures that result from using products at values that exceed, even momentarily, rated values (such as maximum ratings, operating condition ranges, or other parameters) listed in products specifications of any and all UTC products described or contained herein. UTC products are not designed for use in life support appliances, devices or systems where malfunction of these products can be reasonably expected to result in personal injury. Reproduction in whole or in part is prohibited without the prior written consent of the copyright owner. The information presented in this document does not form part of any quotation or contract, is believed to be accurate and reliable and may be changed without notice.