

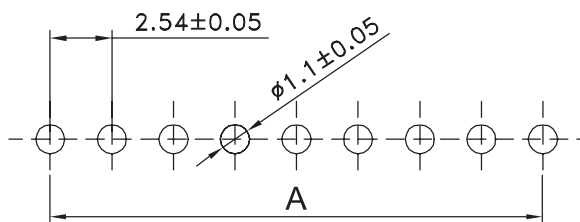
1

2

3

4

5



PCB LAYOUT - COMPONENT VIEW

TECHNICAL CHARACTERISTICS

MATERIAL

INSULATOR: PA6T
 FLAMABILITY RATING: UL94-V0
 COLOR: BLACK
 CONTACT MATERIAL: COPPER ALLOY
 CONTACT TYPE: STAMPED
 CONTACT PLATING: GOLD
 QUALITY CLASS: 3 AS PER CECC 75 301-802
 PITCH: 2.54MM

ENVIRONMENTAL

OPERATING TEMPERATURE: -40 UP TO 105°C
 COMPLIANCE: LEAD FREE AND ROHS

ELECTRICAL

CURRENT RATING: 3A
 WORKING VOLTAGE: 250V AC
 INSULATOR RESISTANCE: >1000 MOHM
 DIELECTRIC WITHSTANDING VOLTAGE: 500V AC/MN
 CONTACT RESISTANCE: 20 mOHM MAX

STANDARD

 CERTIFIED: E323964

SOLDERING

JEDEC LEAD FREE WAVE SOLDERING PROCESS

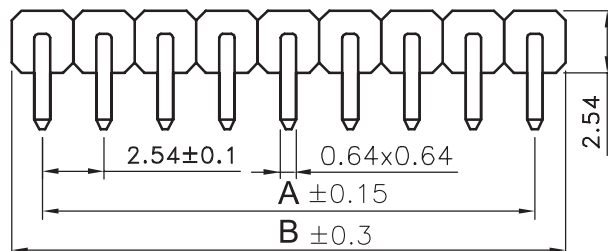
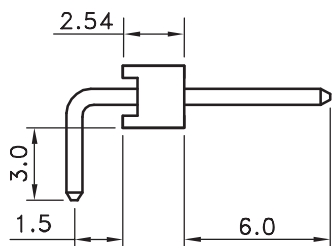
PACKAGING

BAG

DIMENSION

A = 2.54 x (NB. PIN -1)

B = 2.54 x NB. PIN



RoHS Compliant

PROJECTION:



GENERAL TOLERANCE

.X = ± 0.2 .XX = ± 0.15 

APPROVAL: GMo

UNIT: MM

DESCRIPTION: 2.54MM ANGLED PIN HEADER

SIZE

SCALE:

WERI PART NO: 613 0xx 110 21

A4

SHEET: 1/3

DRAW: PEARL

| | | | | | | | |
|-----|-----------|-----------|----|--|--|--|--|
| | | | | | | | |
| | | | | | | | |
| | | | | | | | |
| | | | | | | | |
| I | 15-JUN-15 | PCN PA6T | AK | | | | |
| H | 14-SEP-10 | DIMENSION | GG | | | | |
| REV | DATE | FILE | BY | | | | |

1

2

3

4

5

Note:

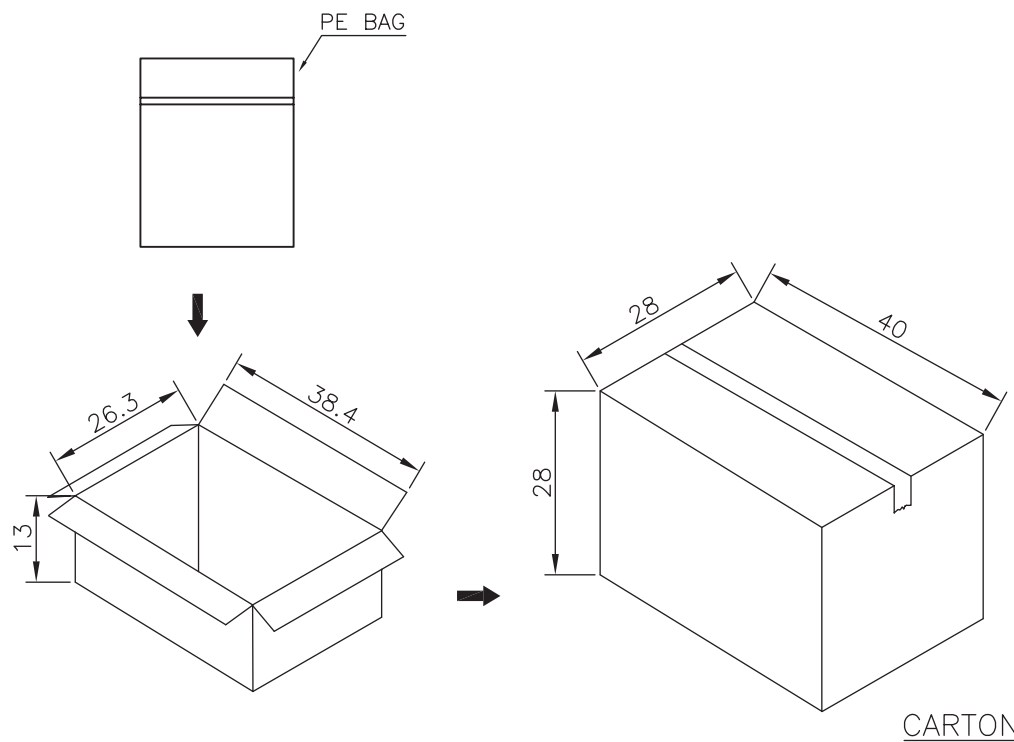
1.Dimension

Inner Carton Size:38.4*26.3*13(CM)

Carton Size:40*28*28(CM)

2.Quantity:

2 Inner Carton/Carton



| Pin | Pcs/Bag | Pcs/Inner Carton | Pcs/Carton | Pin | Pcs/Bag | Pcs/Inner Carton | Pcs/Carton |
|-----|---------|------------------|------------|-----|---------|------------------|------------|
| 2 | 2000 | 30000 | 60000 | 22 | 200 | 4000 | 8000 |
| 3 | 2000 | 30000 | 60000 | 23 | 200 | 4000 | 8000 |
| 4 | 2000 | 30000 | 60000 | 24 | 200 | 4000 | 8000 |
| 5 | 1000 | 13000 | 26000 | 25 | 200 | 4000 | 8000 |
| 6 | 1000 | 13000 | 26000 | 26 | 200 | 4000 | 8000 |
| 7 | 1000 | 13000 | 26000 | 27 | 200 | 4000 | 8000 |
| 8 | 1000 | 13000 | 26000 | 28 | 200 | 4000 | 8000 |
| 9 | 1000 | 13000 | 26000 | 29 | 200 | 4000 | 8000 |
| 10 | 500 | 6000 | 12000 | 30 | 200 | 4000 | 8000 |
| 11 | 500 | 6000 | 12000 | 31 | 200 | 4000 | 8000 |
| 12 | 500 | 6000 | 12000 | 32 | 200 | 4000 | 8000 |
| 13 | 500 | 6000 | 12000 | 33 | 200 | 4000 | 8000 |
| 14 | 500 | 6000 | 12000 | 34 | 200 | 4000 | 8000 |
| 15 | 500 | 6000 | 12000 | 35 | 200 | 4000 | 8000 |
| 16 | 500 | 6000 | 12000 | 36 | 200 | 4000 | 8000 |
| 17 | 500 | 6000 | 12000 | 37 | 200 | 4000 | 8000 |
| 18 | 200 | 4000 | 8000 | 38 | 200 | 4000 | 8000 |
| 19 | 200 | 4000 | 8000 | 39 | 200 | 4000 | 8000 |
| 20 | 200 | 4000 | 8000 | 40 | 200 | 4000 | 8000 |
| 21 | 200 | 4000 | 8000 | | | | |

| RoHS Compliant | | | |
|----------------|------|------|----|
| G | | | |
| F | | | |
| E | | | |
| D | | | |
| C | | | |
| B | | | |
| A | | PDF | |
| REV | DATE | FILE | BY |

PROJECTION:



GENERAL TOLERANCE

.X = +/- 0.2

.XX = +/- 0.15



APPROVAL: GMo

UNIT: MM

SCALE:

SHEET: 2/3

DRAW: PEARL

DESCRIPTION: 2.54MM ANGLED PIN HEADER

WERI PART NO: 613 0xx 110 21

SIZE

A4

1

2

3

4

5

Cautions and Warnings:

This electronic component is designed and developed with the intention for use in general electronics equipments.

Before incorporating the components into any equipments in the field such as aerospace, aviation, nuclear control, submarine, transportation, (automotive control, train control, ship control), transportation signal, disaster prevention, medical, public information network etc. where higher safety and reliability are especially required or if there is possibility of direct damage or injury to human body, Würth Elektronik must be asked for a written approval.

In addition, even electronic component in general electronic equipments, when used in electrical circuits that require high safety, reliability functions or performance, the sufficient reliability evaluation-check for the safety must be performed before by the user before usage.

A

B

C

RoHS Compliant

| | | | | | | | |
|-----|-----------|------|----|--|---|---|-------------------|
| G | | | | PROJECTION:  | GENERAL TOLERANCE .X = +/- 0.2 .XX = +/- 0.15 |  | |
| F | | | | | | | |
| E | | | | | | | |
| D | | | | | | | |
| C | | | | APPROVAL: JC | UNIT: MM | DESCRIPTION: DISCLAIMER | SIZE A4 |
| B | | | | | SCALE: | | |
| A | 10-SEP-14 | PDF | QL | | SHEET: 3/3 | WERI PART NO: DISCLAIMER | |
| REV | DATE | FILE | BY | | DRAW: QL | | |

D