

20 STERN AVE.
 SPRINGFIELD, NEW JERSEY 07081
 U.S.A.

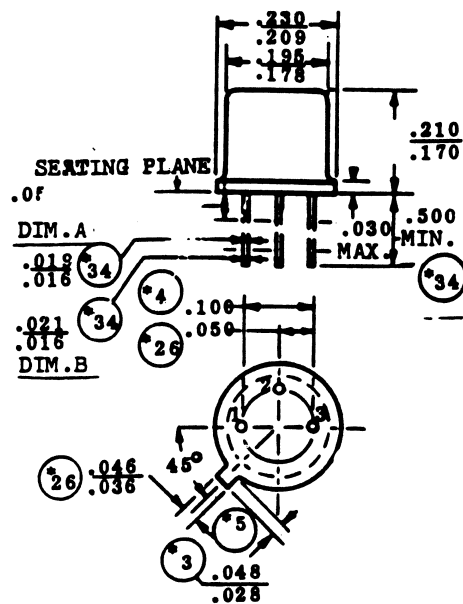
TELEPHONE: (201) 376-2922
 (212) 227-6005
 FAX: (201) 376-8960

PARAMETERS

2N740
 SI NPN LO-PWR BJT

Description: Si NPN Lo-Pwr BJT

Manufacturer.....	many
Mil/High-Rel? (Y/N).....	
Vbr CEO.....	80
hfe.....	80
@Ic (A).....	5.0m
@VCE (test) (V).....	5.0
Ic Max. (A).....	50m
Trans. Freq (Hz) Min.....	
C(ob) (F).....	10p
Icbo Max. @Vcb Max. (A).....	1.0u
Vbr CBO.....	125
Max. PD (W).....	500m
Derate (Amb) (W/xC).....	3.3m
Oper. Temp (x C) Max.....	200 ~
Pkg Style.....	TO-18
Surface Mounted (Y/N).....	N
Pinout Equivalence Number.....	3-12



Quality Semi-Conductors