

4

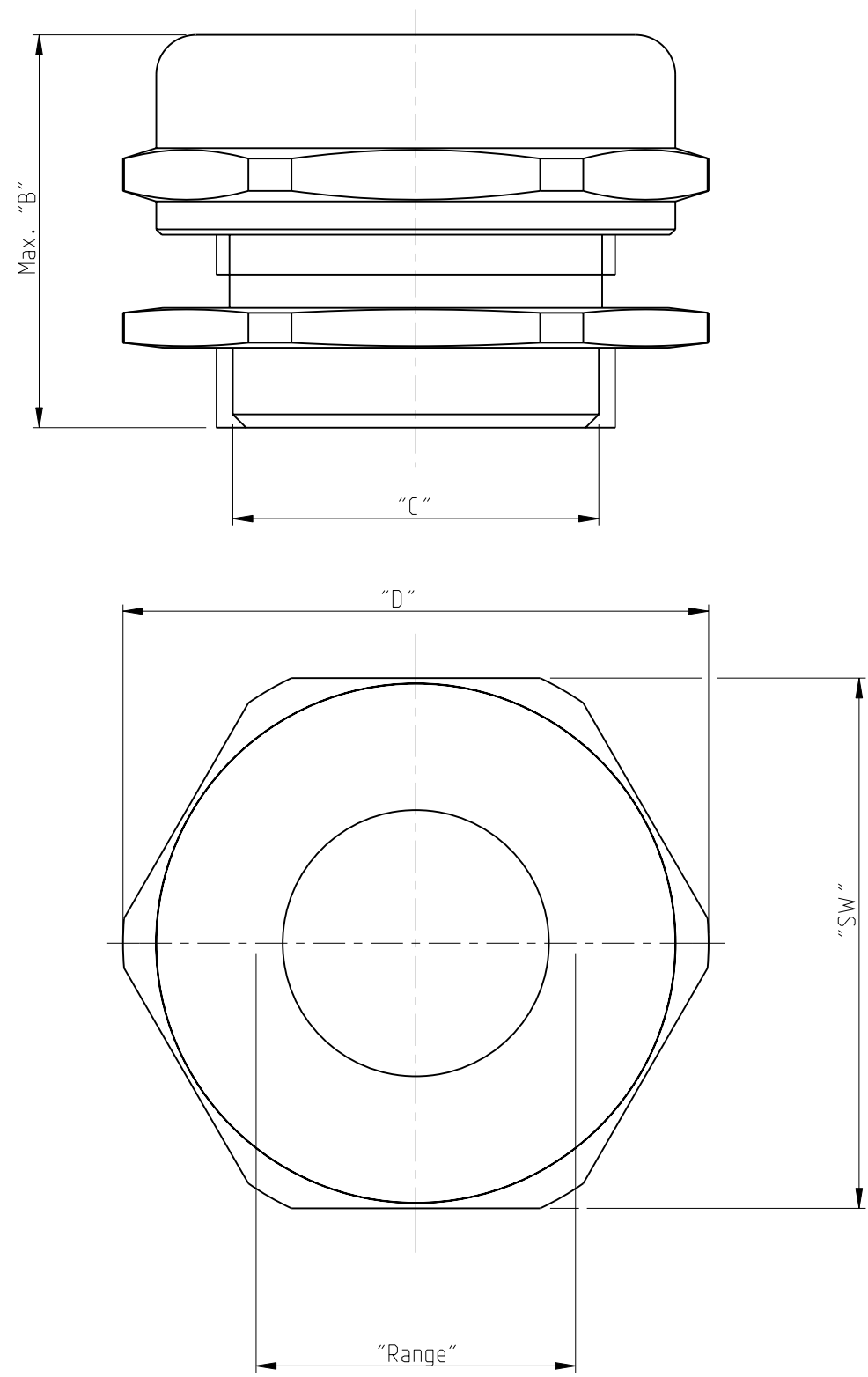
3

2

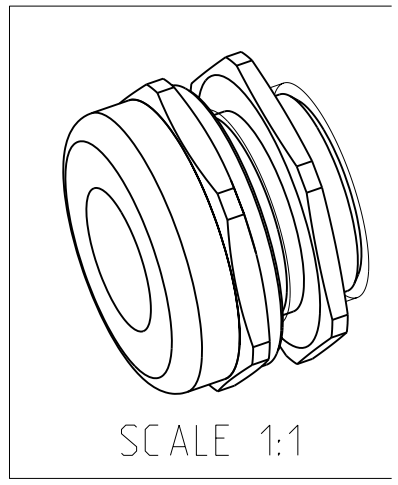
1

THIS DRAWING IS UNPUBLISHED. RELEASED FOR PUBLICATION 20  
 © COPYRIGHT 1997 BY - ALL RIGHTS RESERVED.


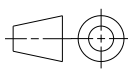
LOC	DIST	REVISIONS				
P	LTR	DESCRIPTION	DATE	DWN	APVD	
A1	-	A4	REVISED PER ECO-11-005030	24MAR2011	RK	HMR



- NOTES
- PARTS SHELL BE FREE AND CLEAN OF BURRS AND OTHER FOREIGN MATERIAL
  - MATERIALS  
 BASE HOUSING & PRESSURE SCREW: BRASS. NICKEL PLATED  
 SEALINGS: NBR. INSERT: PA
  - PACKAGING  
 QUANTITY: 10 PIECES



1-9	HUT.11.MS	5-10	23.5	PG11	22.2	20
2-9	HUT.13.MS	6-12	25	PG13.5	24.4	22
3-9	HUT.16.MS	10-14	25	PG16	26.7	24
4-9	HUT.21.MS	13-18	27	PG21	33.5	30
5-9	HUT.29.MS	18-25	31	PG29	44	40
6-9	HUT.36.MS	24-32	36	PG36	54	50
7-9	HUT.42.MS	30-38	39	PG42	61	57
8-9	HUT.48.MS	34-44	42	PG48	69	64
PN	ORDERING TEXT	RANGE	B	C	D	SW
			DIMENSIONS (mm)			

THIS DRAWING IS A CONTROLLED DOCUMENT.		DWN	Schneider	08.02.01	 TE Connectivity
DIMENSIONS: mm		CHK	Schweiger	08.02.01	
		APVD	-	-	
TOLERANCES UNLESS OTHERWISE SPECIFIED: n. ISO 8015 n. ISO 2768-mH-E n. DIN 16901-120 0 PLC ± 1 PLC ± 2 PLC ± 3 PLC ± 4 PLC ± ANGLES ±		PRODUCT SPEC	-	NAME	
MATERIAL	-	FINISH	-	APPLICATION SPEC	-
		WEIGHT	-	SIZE	A3
		CUSTOMER DRAWING		CAGE CODE	00779
				DRAWING NO	©=1106006
				RESTRICTED TO	-
				SCALE	1:1
				SHEET	1 OF 1
				REV	A4