

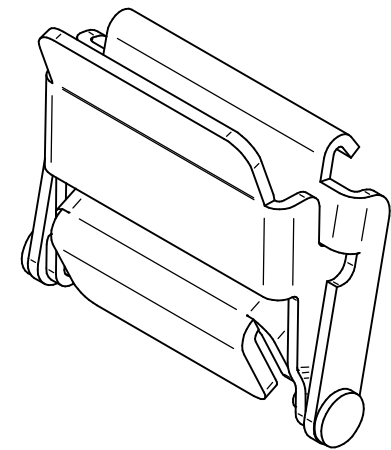
# PART No. 14QRSS

for more information visit

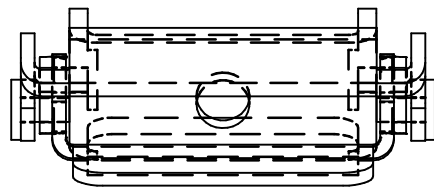
[www.hammondmfg.com](http://www.hammondmfg.com)

Data subject to change without notice

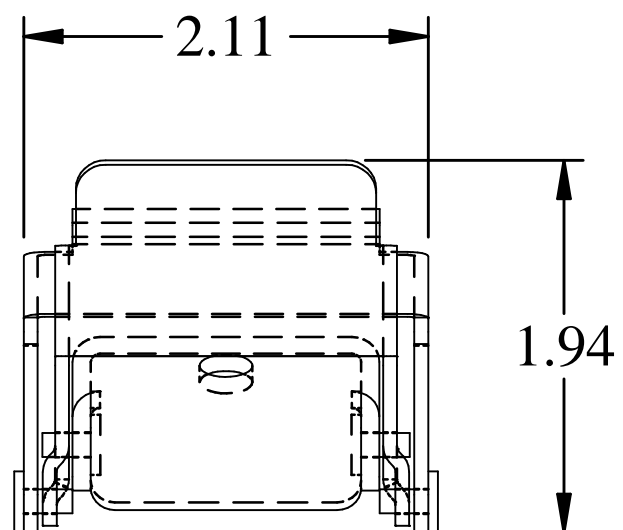
Isometric drawing Not to Scale



ISOMETRIC VIEW



TOP VIEW



FRONT VIEW



SIDE VIEW