

**PLEASE CHECK WWW.MOLEX.COM FOR LATEST PART INFORMATION**

**Part Number:** [1301910021](#)  
**Status:** **Active**  
**Overview:** [Lighting Accessories](#)  
**Description:** Lamp Bulb 13 Watt Fluorescent

**Documents:**

[RoHS Certificate of Compliance \(PDF\)](#)

**General**

Product Family	Portable Lighting
Series	<a href="#">130191</a>
NEMA Configuration	N/A
Outlet	None
Overview	<a href="#">Lighting Accessories</a>
Product Name	Woodhead®
Type	Accessory
UPC	78678854010
Woodhead	Yes

**Physical**

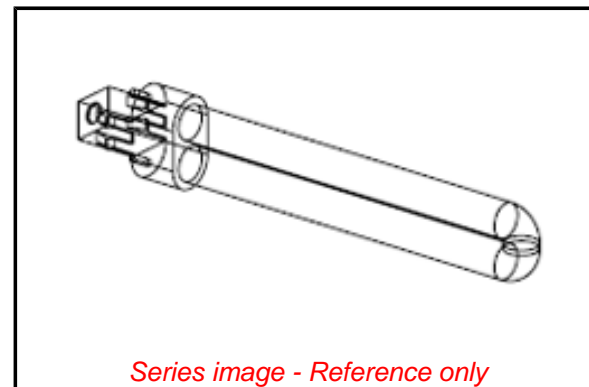
Cord Length - Primary	N/A
Cord Length - Secondary	N/A
Depth	N/A
Duty	N/A
Guard Included	No
Guard Type	N/A
Height	N/A
Length	N/A
Material - Guard	N/A
Net Weight	54.430/g
Packaging Type	Carton
Socket Construction	N/A

**Electrical**

Bulb Type	Fluorescent
Lamp Type	PL13/41
Lamp Wattage - Maximum	N/A
On/Off Switch	No
Voltage (Fixture) - Maximum	N/A

**Material Info**

Old Part Number	34-0350
-----------------	---------



*Series image - Reference only*

**EU ELV**

**Not Relevant**

**EU RoHS**

**Not Reviewed**

**REACH SVHC**

Not Reviewed

**Halogen-Free**

**Status**

**Not Reviewed**

**Need more information on product environmental compliance?**

Email [productcompliance@molex.com](mailto:productcompliance@molex.com)  
Please visit the [Contact Us](#) section for any non-product compliance questions.

China ROHS

Not Relevant

ELV

Not Relevant

**Search Parts in this Series**

[130191](#) Series