



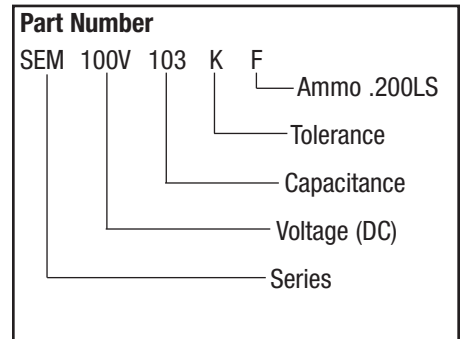
EPOXY COATED, INDUCTIVE, FILM CAPACITORS, RADIAL LEADS

FEATURES

- GOOD REPUTATION IN USE WITH CONSUMER & INDUSTRIAL ELECTRONICS
- OPTIMUM FOR AUTOMATIC INSERTION DUE TO THEIR SMALL SIZE AND LIGHT WEIGHT
- COATED WITH EPOXY RESIN FOR SUPERIOR HEAT RESISTANCE, HUMIDITY RESISTANCE AND SOLVENT RESISTANCE

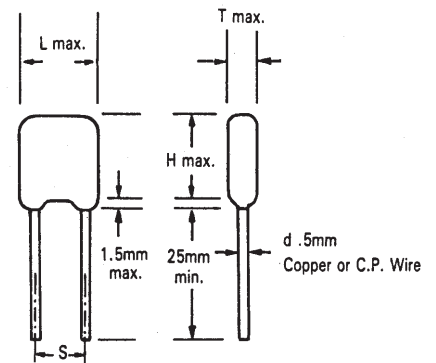
SPECIFICATIONS

OPERATING TEMPERATURE RANGE	-40°C to +85°C
RATED VOLTAGE (DC)	50V, 100V
CAPACITANCE RANGE	0.001 to 0.47 MFD
CAPACITANCE TOLERANCE	±20% (M), ±10% (K), ±5% (J)
INSULATION RESISTANCE	50,000 Megohm min.
DISSIPATION FACTOR	≤ 0.0075 (at 1 KHZ)
DIELECTRIC STRENGTH	250% of rated voltage for 5 seconds



STANDARD PRODUCTS AND CASE SIZE TABLE (UNIT: MM)

VDC MFD	50 & 100 VOLTS DC			
	L	T	H	S
0.001	6.0	3.5	9.5	3.5
0.0012	6.0	3.5	9.95	3.5
0.0015	6.0	3.5	9.5	3.5
0.0018	6.0	3.5	9.5	3.5
0.0022	6.0	3.5	9.5	3.5
0.0033	6.0	3.5	9.5	3.5
0.0039	6.0	3.5	9.5	3.5
0.0047	6.0	4.0	9.5	4.0
0.0056	6.0	4.0	9.5	4.0
0.0068	6.0	4.0	9.5	4.0
0.0082	6.5	4.0	9.5	4.0
0.01	6.5	4.0	9.5	4.0
0.012	6.5	4.0	9.5	4.0
0.015	7.5	4.5	10.0	4.5
0.018	7.5	4.5	10.0	4.5
0.022	8.0	4.5	10.0	5.0
0.027	8.0	4.5	11.0	5.0
0.033	8.5	4.5	11.0	5.0
0.039	8.5	5.0	11.0	5.0
0.047	9.0	5.0	11.5	5.0
0.056	9.0	6.0	11.5	5.0
0.068	9.5	6.0	12.0	6.0
0.082	10.0	6.0	12.0	7.0
0.1	11.0	7.0	12.0	7.0
0.12	11.0	7.0	12.0	7.0
0.12	11.0	7.0	13.0	7.0
0.15	12.5	7.0	14.0	7.5
0.18	12.5	7.0	14.0	7.5
0.22	13.5	8.0	14.0	9.0



S ± 1.0mm for Lead spacing ≤ 6mm.
S ± 1.5mm for Lead spacing > 6mm.