

## 1. Scope

The present specifications shall apply to an MPE-220A-L.

## 2. Outline

Type	Silicon Schottky Barrier Diode
Structure	Resin Molded
Applications	High Frequency Rectification, etc.

## 3. Flammability

UL94V-0(Equivalent)

## 4. Absolute maximum ratings

No.	Item	Symbol	Unit	Rating	Conditions
1	Transient Peak Reverse Voltage	$V_{RSM}$	V	100	
2	Peak Reverse Voltage	$V_{RM}$	V	100	
3	Average Forward Current	$I_{F(AV)}$	A	20	Refer to derating curve in Section 7
4	Peak Surge Forward Current	$I_{FSM}$	A	120	10ms. Half sine wave, one shot
5	$I^2t$ Limiting Value	$I^2t$	$A^2s$	72	$1ms \leq t \leq 10ms$
6	Junction Temperature	$T_j$	°C	-40 to +150	
7	Storage Temperature	$T_{stg}$	°C	-40 to +150	

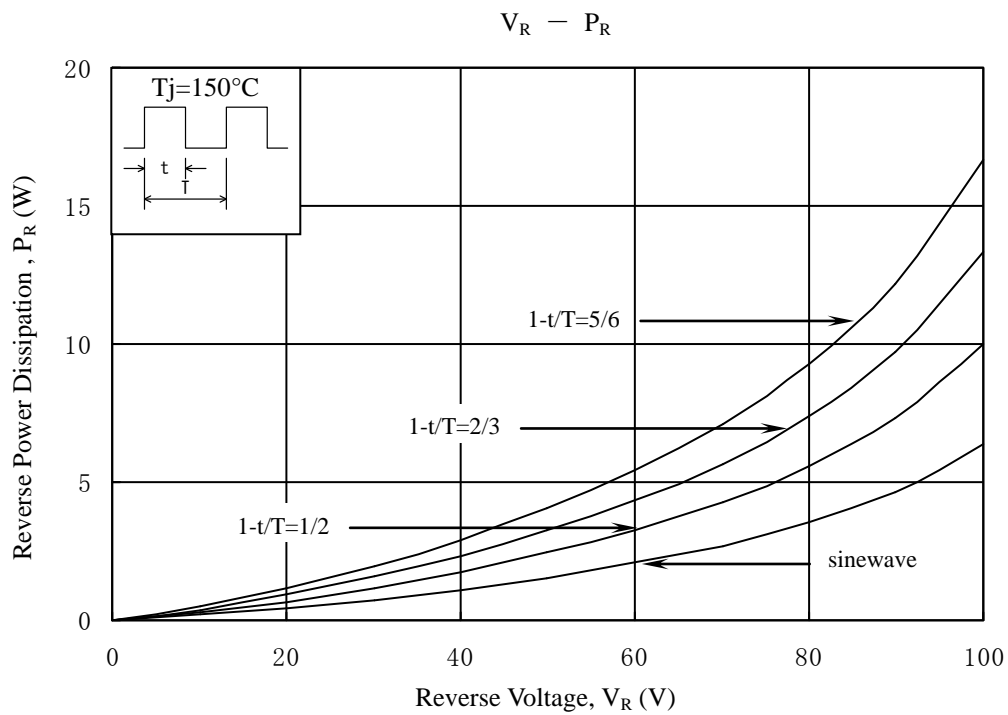
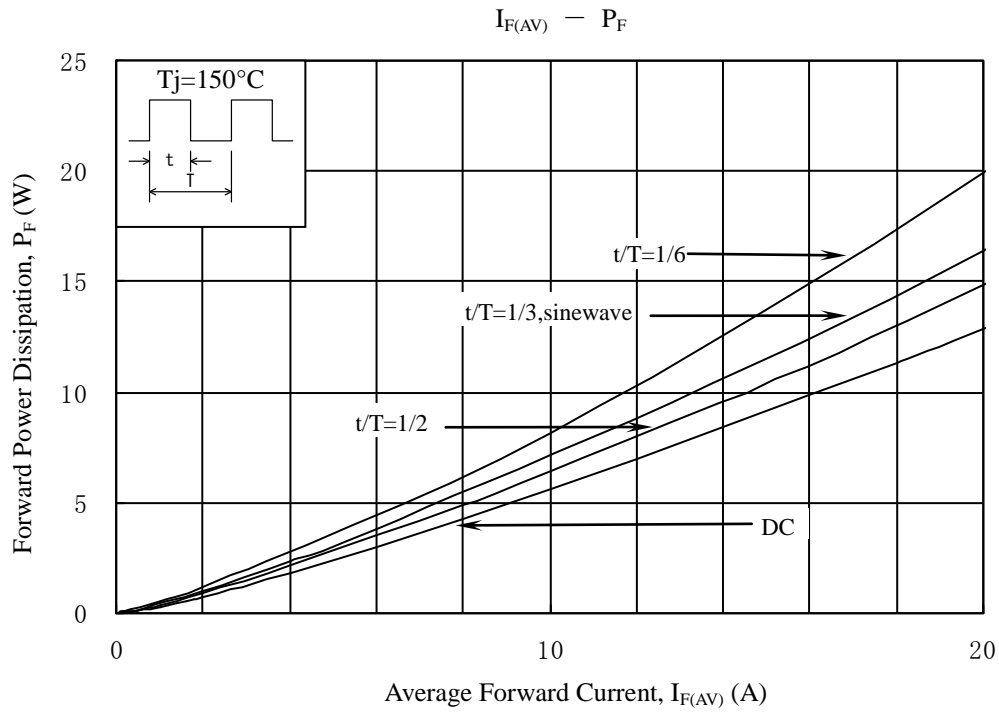
No.1, 2, 4 and 5 show ratings per one chip.

## 5. Electrical characteristics (Ta=25°C, unless otherwise specified)

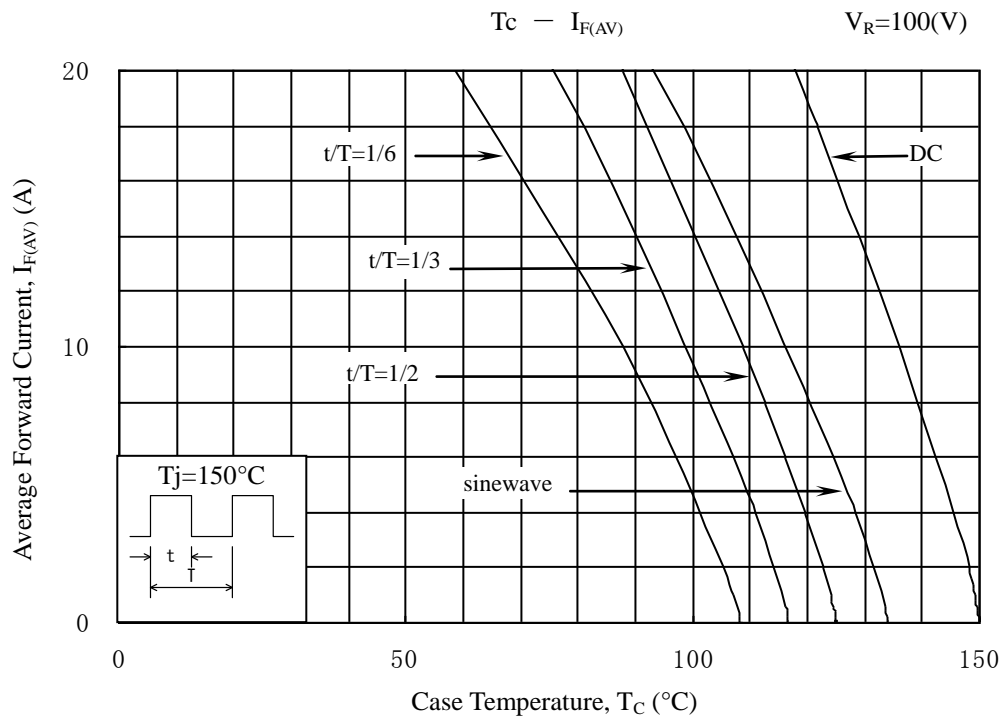
No.	Item	Symbol	Unit	Rating	Conditions
1	Forward Voltage Drop	$V_F$	V	0.85 max.	$I_F=10A$
2	Reverse Leakage Current	$I_R$	$\mu A$	1.0 max.	$V_R=V_{RM}$
3	Reverse Leakage Current Under High Temperature	$H \cdot I_R$	mA	100 max.	$V_R=V_{RM}, T_j=150^\circ C$
4	Thermal Resistance	$R_{th(j-c)}$	°C/W	2.5 max.	Between Junction and case

No.1, 2, and 3 show characteristics per one chip.

6. Characteristics

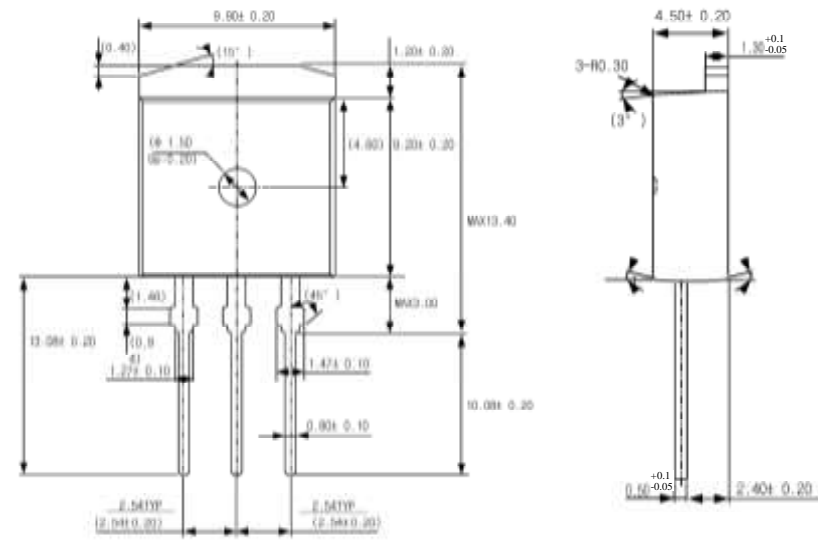


7. Derating



8. Package information

8-1 Package type, physical dimensions and material

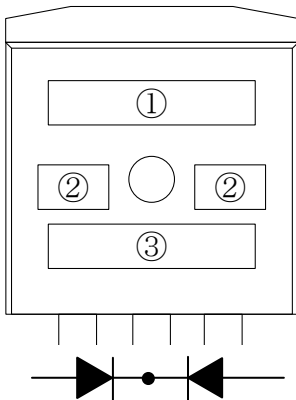


Dimensions in mm

8-2 Appearance

The body shall be clean and shall not bear any stain, rust or flaw.

8-3 Marking



①Type Name: E220A

②Polarity

③Lot. Number

1<sup>st</sup> letter      The last digit of year

2<sup>nd</sup> letter      Month

(1 to 9 for Jan. to Sept., O for Oct. N for Nov. D for Dec.)

3<sup>rd</sup> letter      Week(Every month of 1<sup>st</sup> ~5<sup>th</sup> week)

4<sup>th</sup>~6<sup>th</sup> letter      Suffix No.