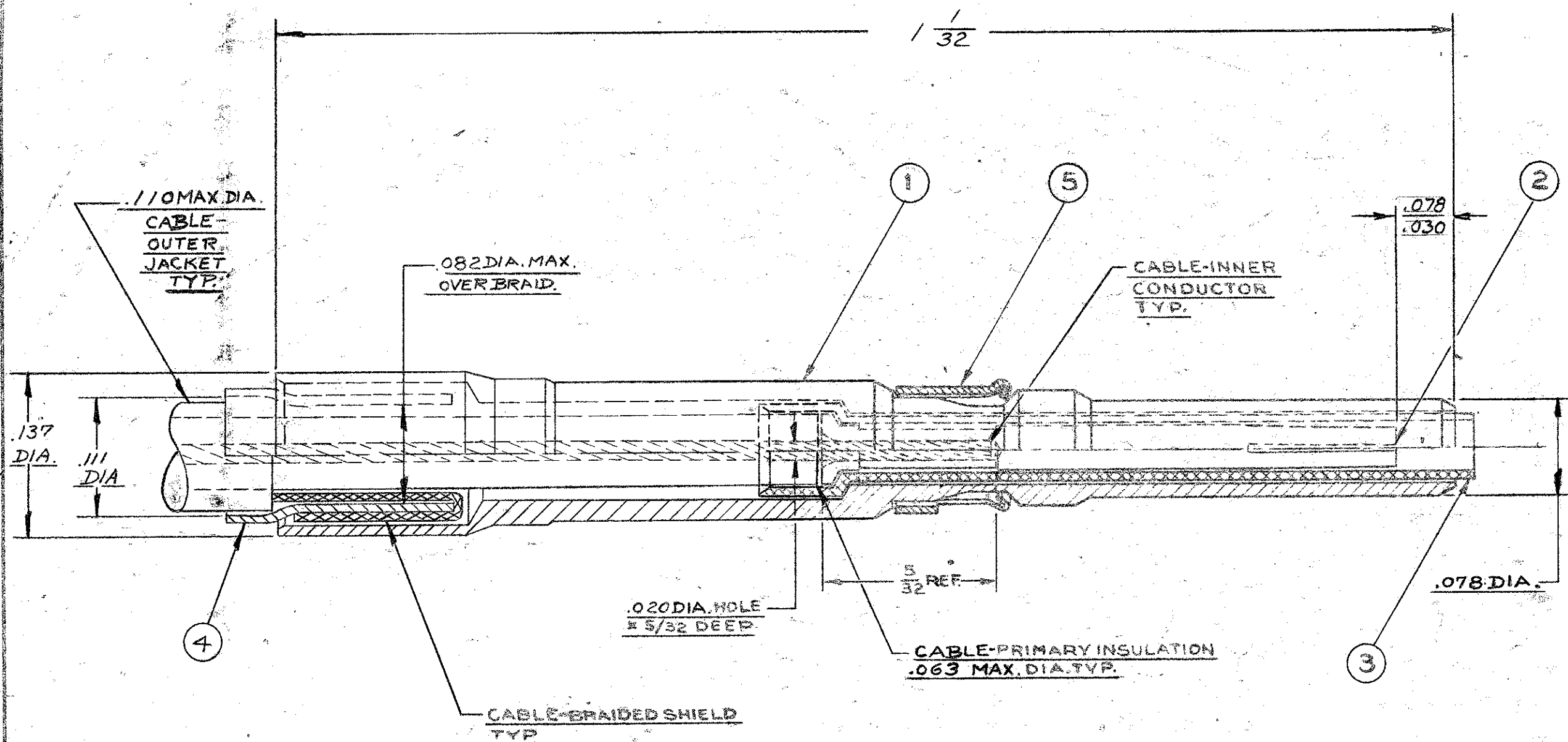


PIN CONTACT ASSEMBLY
CAT. NO. 100-8001 P

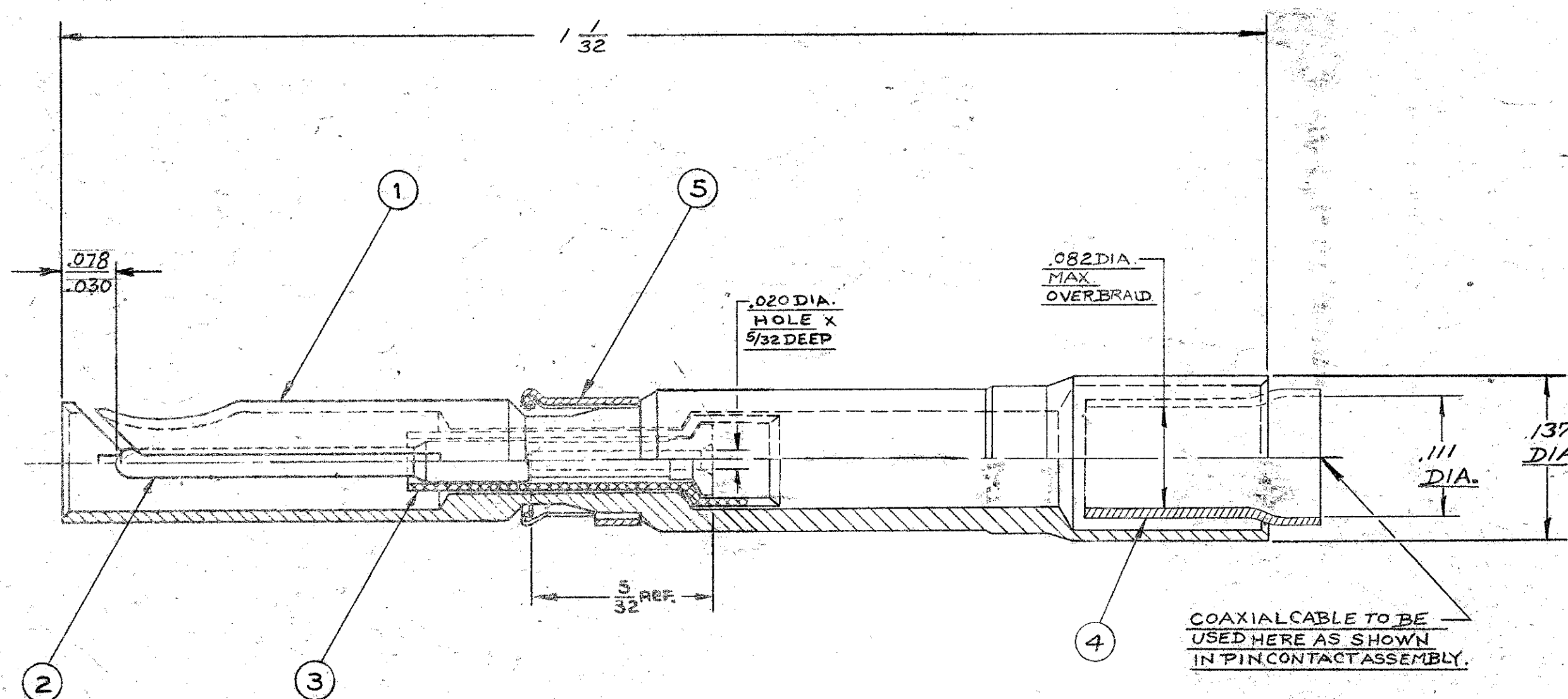


- ① PIN CONTACT (OUTER)
PHOSPHOR BRONZE, QQ-B-750, GOLD OVER COPPER FLASH
- ② SOCKET CONTACT (INNER)
BERYLLIUM COPPER, QQ-C-530, GOLD OVER COPPER FLASH
- ③ INSULATING SLEEVE (LONG)
POLYPROPYLENE
- ④ CRIMP FERRULE
BERYLLIUM COPPER, QQ-C-530, GOLD OVER COPPER FLASH
- ⑤ RETAINING CLIP
BERYLLIUM COPPER, QQ-C-533, GOLD OVER COPPER FLASH

Ⓛ

100-80
SHEET #2 OF 7 E

SOCKET CONTACT ASSEMBLY
CAT. NO. 100-8001 S



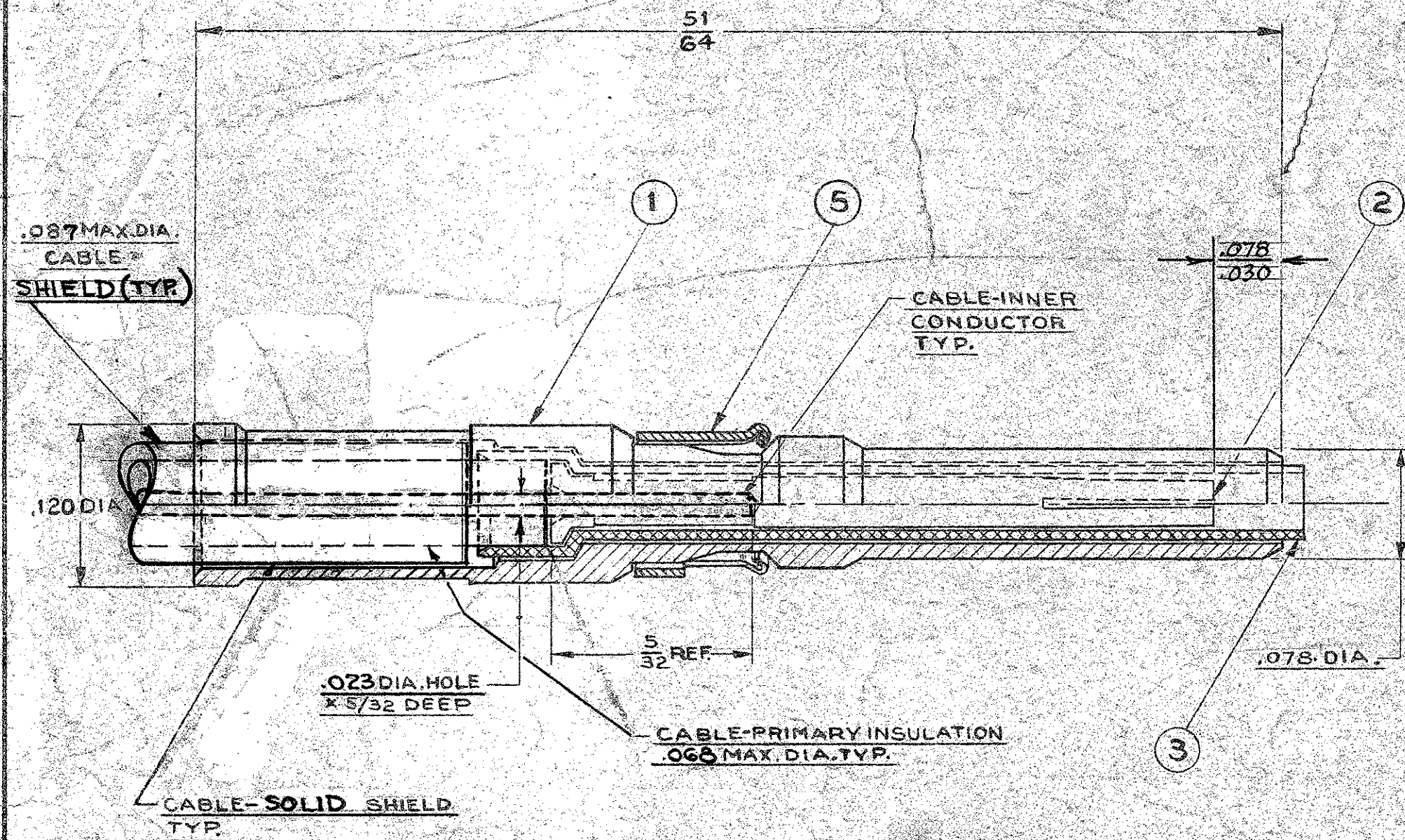
- ① SOCKET CONTACT (OUTER)
BERYLLIUM COPPER, QQ-C-530, GOLD OVER COPPER FLASH
- ② PIN CONTACT (INNER)
PHOSPHOR BRONZE, QQ-B-750, GOLD OVER COPPER FLASH
- ③ INSULATING SLEEVE (SHORT)
POLYPROPYLENE
- ④ CRIMP FERRULE
BERYLLIUM COPPER, QQ-C-530, GOLD OVER COPPER FLASH
- ⑤ RETAINING CLIP
BERYLLIUM COPPER, QQ-C-533, GOLD OVER COPPER FLASH

COAXIAL CABLE TO BE
USED HERE AS SHOWN
IN PIN CONTACT ASSEMBLY.

REV	CHANGE	DATE	BY	CHK
A	PRELIMINARY DRAWING	6-2-71	ENR 1228	ENR 1228
B	ADDED .078/.030 DIM. & PLACES PER ECR # 3443 ED 12874 EbbJC	5-28-86	ENR 220-86	ENR 16847 JLL
C	REMOVED NOTE INACTIVE - NOT FOR PRODUCTION OR SALES AS OF 4/23/77. EM12931. SEE SHEET 4. EWR # 220-86.			
D	REMOVED INACTIVE NOTE FROM CAT. NO. 100-8001 ECR # 4129 JLL	2-28-96	K.D.B.	

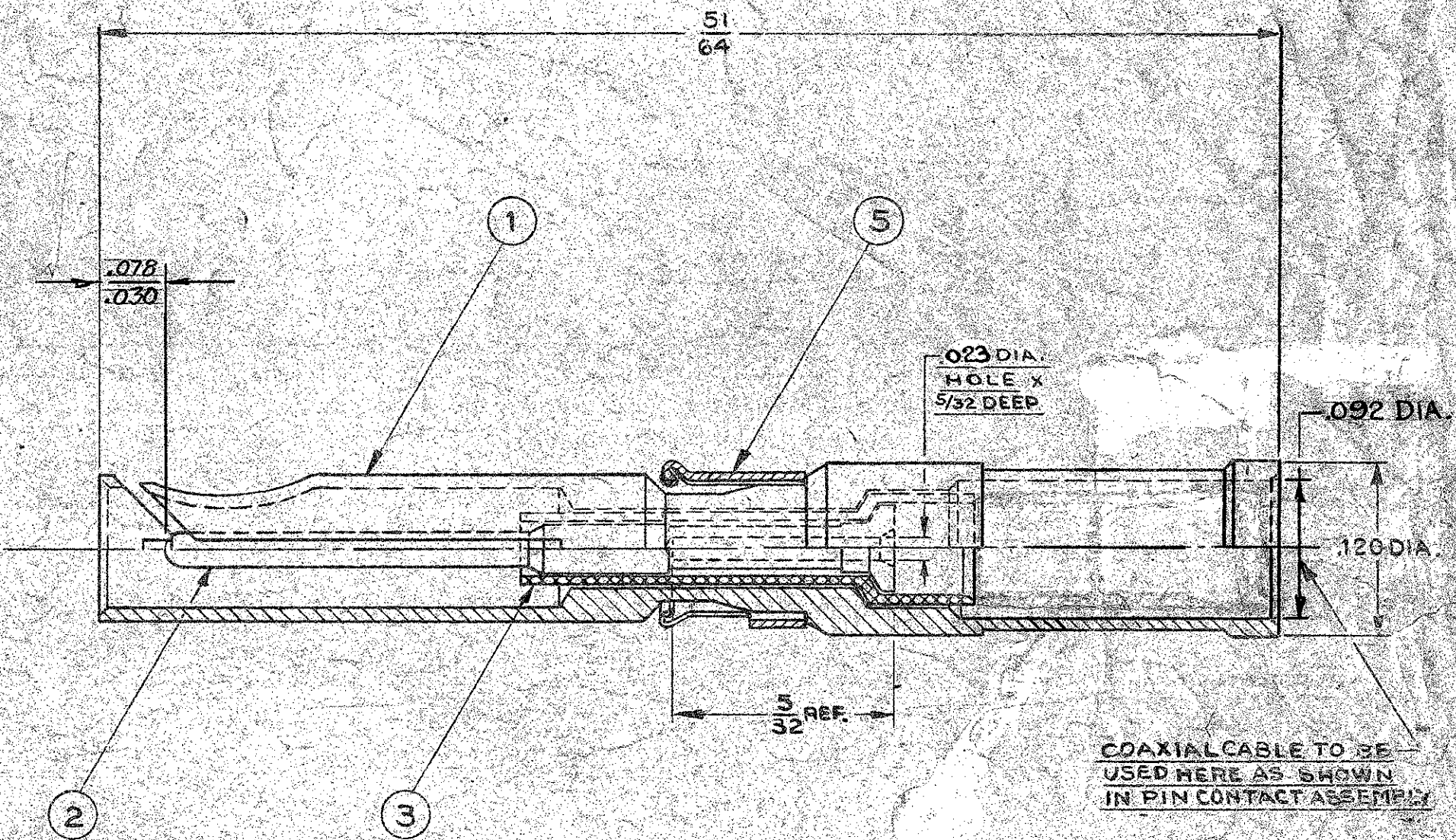
GENERAL NOTES UNLESS OTHERWISE SPECIFIED
 1. ALL DIMENSIONS ARE IN INCHES.
 2. ALL DIMENSIONS ARE TO MAX.
 3. REMOVE ALL BURRS TO _____ MAX.
 4. BREAK ALL SHARP EDGES EQ. TO _____ R. MAX.
 5. _____ R. MAX. ON INSIDE CORNERS.
 6. ALL DIAMETERS CONCENTRIC. _____ T.I.R. MAX.
 7. ALL SURFACES TO BE SQUARE AND/OR PARALLEL WITHIN _____ IN./IN.
 8. GENERAL SURFACE FINISH TO BE MICROINCHES RMS. MAX.
 9. TOLERANCES
 .XX ±.010
 .XXX ±.003
 FRACTIONS ±1/16
 ANGLES ±1/2°
 10. WEIGHT

TITLE OUTLINE ASSEMBLY - MRAC			
SHIELDED PIN & SOCKET CONTACT			
SCALE 10 X 1	DR DALEY	CHK E. ERICSSON	DATE 7-5-66
WINCHESTER ELECTRONICS DIVISION OF LITTON PRECISION PRODUCTS INC. DANVILLE, CONN.			
DWG. C	100-80 SHEET #2 OF 7		REV. E



PIN CONTACT ASSEMBLY
CAT. NO. 100-8002 P
FOR USE WITH MICROCOAX UT85

- ① PIN CONTACT (OUTER)
PHOSPHOR BRONZE, QQ-B-750, GOLD OVER COPPER FLASH
- ② SOCKET CONTACT (INNER)
BERYLLIUM COPPER, QQ-C-530, GOLD OVER COPPER FLASH
- ③ INSULATING SLEEVE (LONG)
POLYPROPYLENE
- ⑤ RETAINING CLIP
BERYLLIUM COPPER, QQ-C-533, GOLD OVER COPPER FLASH



SOCKET CONTACT ASSEMBLY
CAT. NO. 100-8002 S
FOR USE WITH MICROCOAX UT85

- ① SOCKET CONTACT (OUTER)
BERYLLIUM COPPER, QQ-C-530, GOLD OVER COPPER FLASH
- ② PIN CONTACT (INNER)
PHOSPHOR BRONZE, QQ-B-750, GOLD OVER COPPER FLASH
- ③ INSULATING SLEEVE (SHORT)
POLYPROPYLENE
- ⑤ RETAINING CLIP
BERYLLIUM COPPER, QQ-C-533, GOLD OVER COPPER FLASH

COAXIAL CABLE TO BE USED HERE AS SHOWN IN PIN CONTACT ASSEMBLY

P100-80 3/4" REF E

WAS XD-1291

REV	CHANGE	DATE
A	ADDED .078 DIA. DIM. 2 PLACES PER ECR #3443 EN 12874 JLL	6-2-71 S.K.
D	SEE SHEETS 2 & 4 EWR #220-86 EN 18847 JLL	5-28-86 DONNA
E	SEE SHEETS 2 & 4 ECR #1129 JLL	2-28-96 K.O.B.

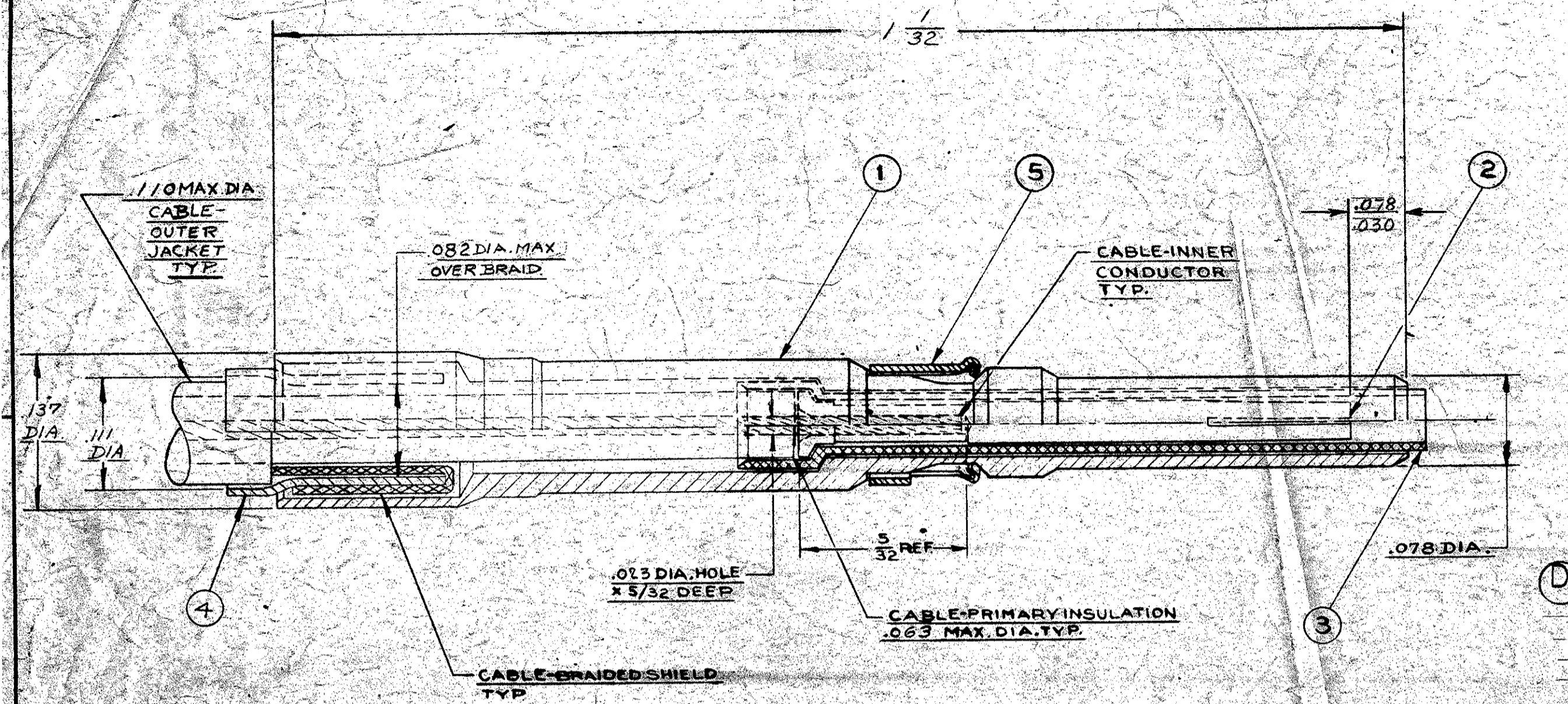
PRELIMINARY DRAWING
DO NOT USE FOR PRODUCTION

GENERAL NOTES UNLESS OTHERWISE SPECIFIED
 1. ALL DIMENSIONS ARE IN INCHES.
 2. ALL DIMENSIONS ARE
 3. REMOVE ALL BURRS TO _____ MAX.
 4. BREAK ALL SHARP EDGES EQ. TO _____ R. MAX.
 5. _____ R. MAX. ON INSIDE CORNERS.
 6. ALL DIAMETERS CONCENTRIC _____ T.I.R. MAX.
 7. ALL SURFACES TO BE SQUARE AND/OR PARALLEL WITHIN _____ IN./IN.
 8. GENERAL SURFACE FINISH TO BE MICROINCHES RMS. MAX.
 9. TOLERANCES
 XX ±.010
 XXX ±.003
 10. WEIGHT

TITLE OUTLINE ASSEMBLY - MRAC SHIELDED PIN & SOCKET CONTACT			
MATERIAL SEE ABOVE			
FINISH SEE ABOVE			
SCALE 10:1	DR. E. ERICSSON	CK'D.	AP'D.
DATE 8-24-65	DATE 8/24/65	WINCHESTER ELECTRONICS	
DIVISION OF LITTON PRECISION PRODUCTS INC. OAKVILLE, CONN.			
DWG. SIZE C	P100-80	SHEET 3 of 7	REV E

PIN CONTACT ASSEMBLY
CAT. NO. 100-8003 P

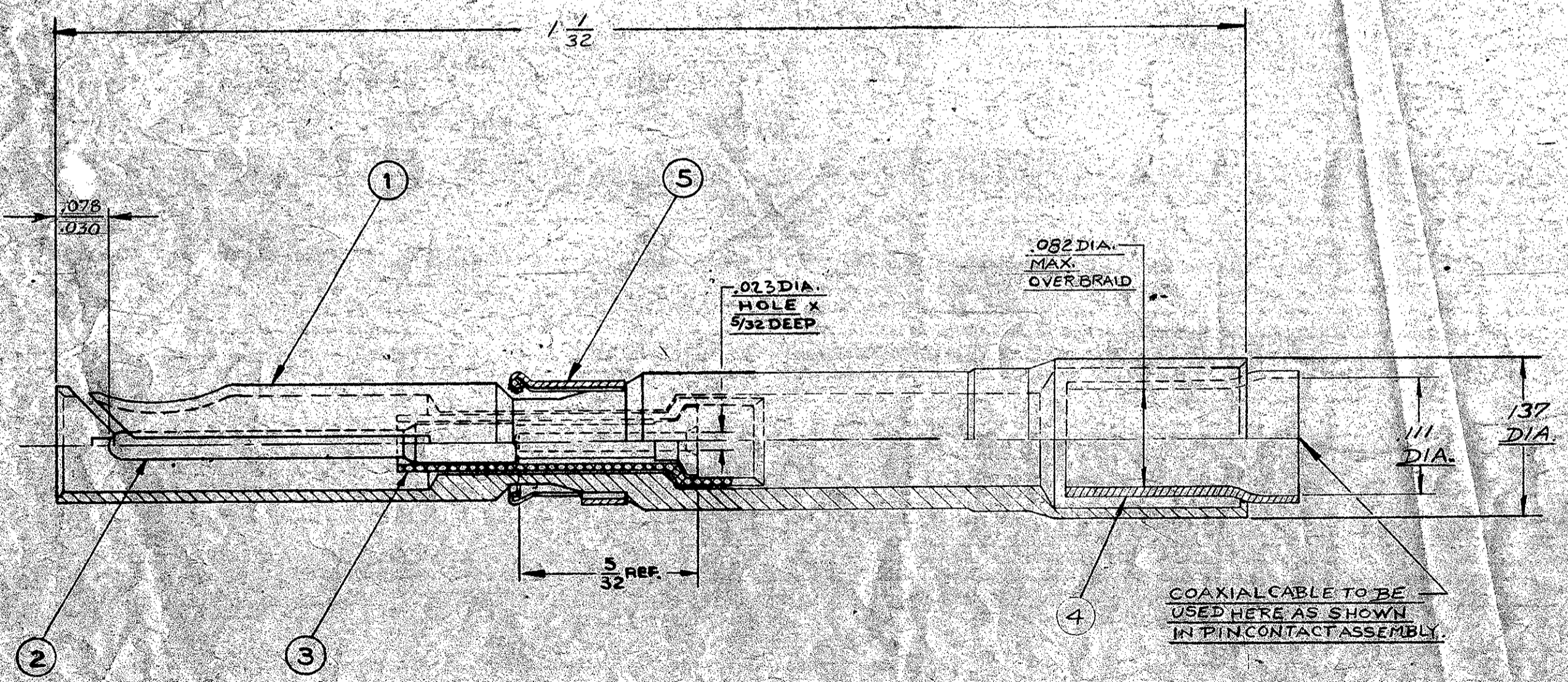
- ① PIN CONTACT (OUTER)
PHOSPHOR BRONZE, QQ-B-750, GOLD OVER COPPER FLASH
- ② SOCKET CONTACT (INNER)
BERYLLIUM COPPER, QQ-C-530, GOLD OVER COPPER FLASH
- ③ INSULATING SLEEVE (LONG)
POLYPROPYLENE
- ④ CRIMP FERRULE
BERYLLIUM COPPER, QQ-C-530, GOLD OVER COPPER FLASH
- ⑤ RETAINING CLIP
BERYLLIUM COPPER, QQ-C-533, GOLD OVER COPPER FLASH



100-80
SHEET #4 OF 7 E

SOCKET CONTACT ASSEMBLY
CAT. NO. 100-8003 S

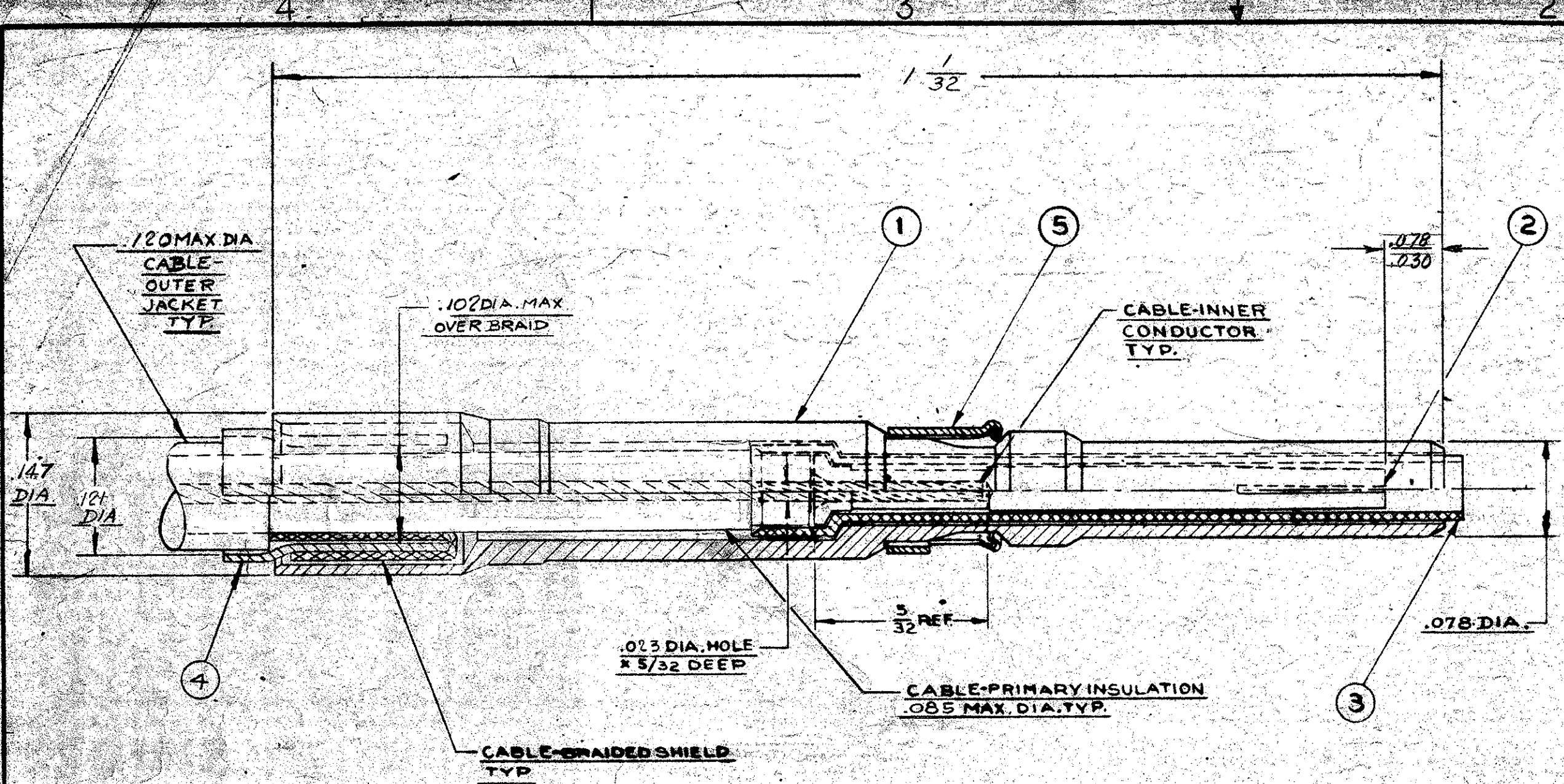
- ① SOCKET CONTACT (OUTER)
BERYLLIUM COPPER, QQ-C-530, GOLD OVER COPPER FLASH
- ② PIN CONTACT (INNER)
PHOSPHOR BRONZE, QQ-B-750, GOLD OVER COPPER FLASH
- ③ INSULATING SLEEVE (SHORT)
POLYPROPYLENE
- ④ CRIMP FERRULE
BERYLLIUM COPPER, QQ-C-530, GOLD OVER COPPER FLASH
- ⑤ RETAINING CLIP
BERYLLIUM COPPER, QQ-C-533, GOLD OVER COPPER FLASH



GENERAL NOTES UNLESS OTHERWISE SPECIFIED:
 1. ALL DIMENSIONS ARE IN INCHES.
 2. ALL DIMENSIONS ARE
 3. REMOVE ALL BURRS TO _____ MAX.
 4. BREAK ALL SHARP EDGES EQ. TO _____ R. MAX.
 5. _____ R. MAX. ON INSIDE CORNERS.
 6. ALL DIAMETERS CONCENTRIC _____ T.I.R. MAX.
 7. ALL SURFACES TO BE SQUARE AND/OR PARALLEL WITHIN _____ IN. IN.
 8. GENERAL SURFACE FINISH TO BE MICROINCHES RMS. MAX.
 9. TOLERANCES FRACTIONS B+1
 .XXX ±.010
 .XXX ±.003
 10. WEIGHT ANGLES ±1/2° EN1089

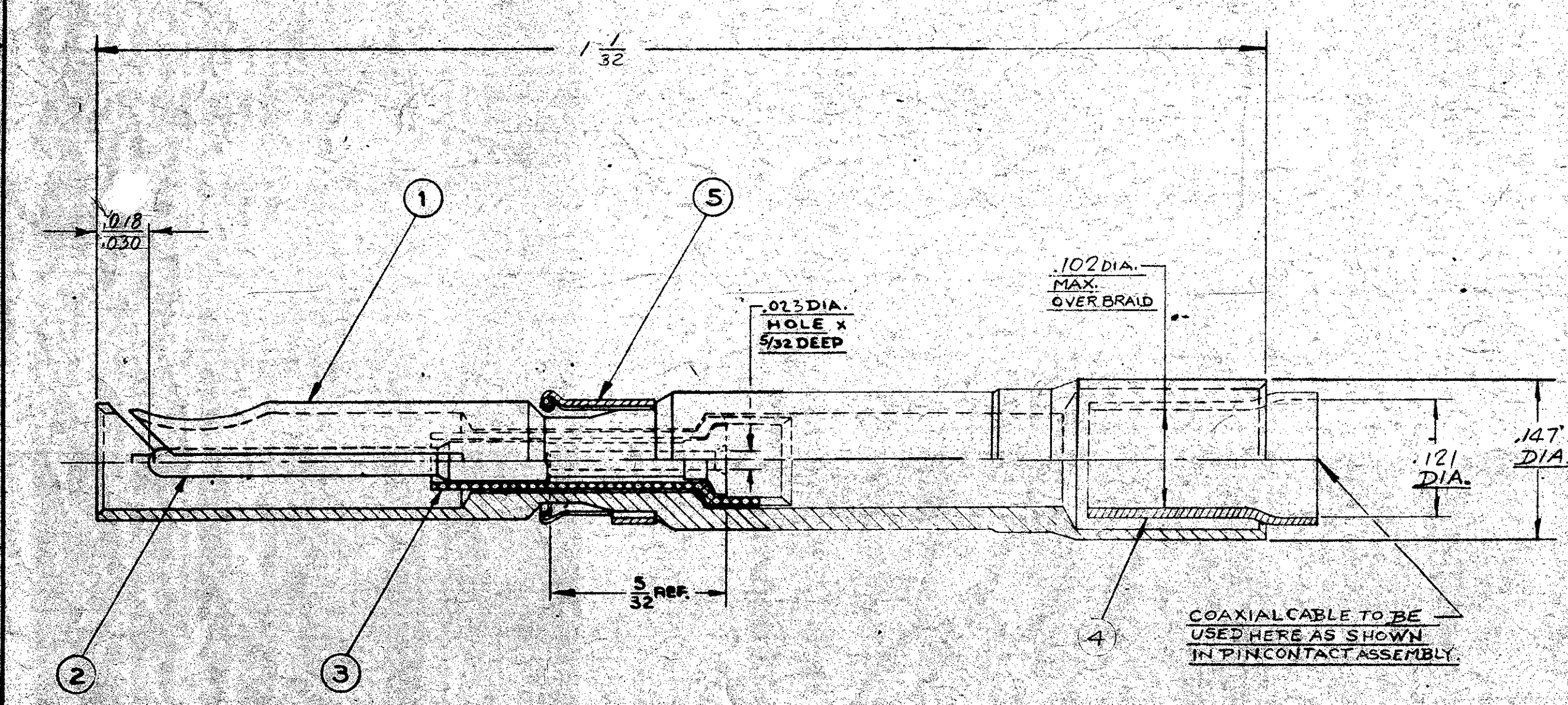
TITLE		OUTLINE ASSEMBLY — MRAC	
SCALE		10x1	
DATE	DATE	DATE	DATE
6-23-66	7-5-66		
WINCHESTER ELECTRONICS DIVISION OF LITTON PRECISION PRODUCTS INC. OAKVILLE, CONN.			
DWG. NO.	100-80	REV.	E
SIZE	C	SHEET	#4 OF 7

REV.	CHANGE	DATE	BY
A	PRELIMINARY REVISED	10-27-67	S.K.
B	ADDED .078/.030 DIA. & PLACES PER SCA #3443 EN 12874 (22)	6-2-71	S.K.
C	REMOVED NOTE INACTIVE - NOT FOR PRODUCTION OR SALES AS OF 4/23/71 EN 12931 SEE SHEET 2	5-28-86	DONNA
D	ENR # 220-86 EN 18847 V.L.L.	2-28-96	K.D.B.
E	REMOVED & MAKE SURE ABOVE FROM SCA # 449		



PIN CONTACT ASSEMBLY
CAT. NO. 100-8004P

- ① PIN CONTACT (OUTER)
PHOSPHOR BRONZE, QQ-B-750, GOLD OVER COPPER FLASH
- ② SOCKET CONTACT (INNER)
BERYLLIUM COPPER, QQ-C-530, GOLD OVER COPPER FLASH
- ③ INSULATING SLEEVE (LONG)
POLYPROPYLENE
- ④ CRIMP FERRULE
BERYLLIUM COPPER, QQ-C-530, GOLD OVER COPPER FLASH
- ⑤ RETAINING CLIP
BERYLLIUM COPPER, QQ-C-533, GOLD OVER COPPER FLASH



SOCKET CONTACT ASSEMBLY
CAT. NO. 100-8004S

- ① SOCKET CONTACT (OUTER)
BERYLLIUM COPPER, QQ-C-530, GOLD OVER COPPER FLASH
- ② PIN CONTACT (INNER)
PHOSPHOR BRONZE, QQ-B-750, GOLD OVER COPPER FLASH
- ③ INSULATING SLEEVE (SHORT)
POLYPROPYLENE
- ④ CRIMP FERRULE
BERYLLIUM COPPER, QQ-C-530, GOLD OVER COPPER FLASH
- ⑤ RETAINING CLIP
BERYLLIUM COPPER, QQ-C-533, GOLD OVER COPPER FLASH

P 100-80
SHEET # 5 OF 7 E

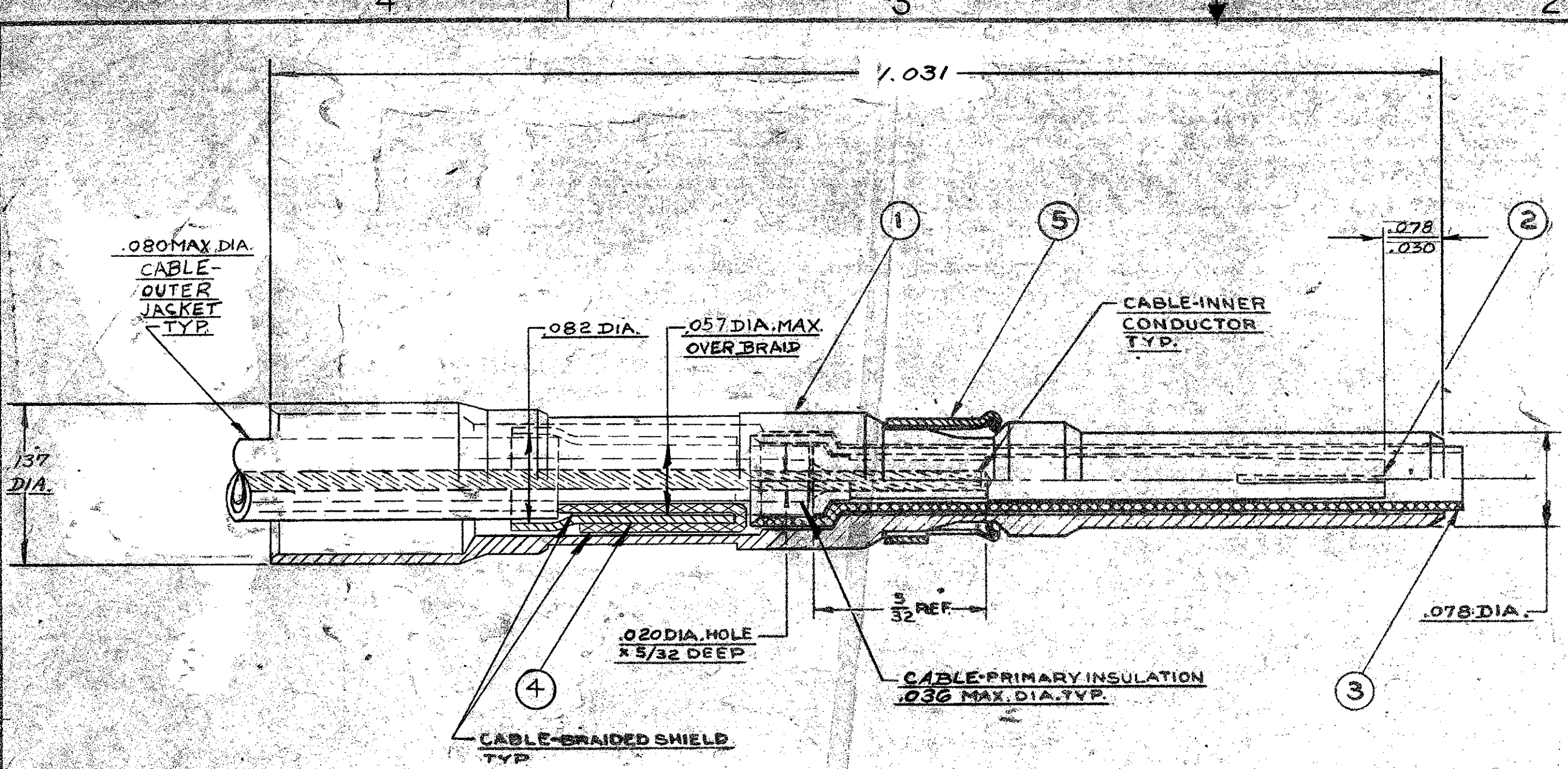
COAXIAL CABLE TO BE
USED HERE AS SHOWN
IN PIN CONTACT ASSEMBLY.

REV.	CHANGE	DATE	BY	CHKD.
A	ADDED 1078/030 DIM. PLACES PER ECR # 3443 EN 12874 E.W.	6-2-71	S.K.	
D	SEE SHEETS 2 & 4 ENR # 220-86 EN 1884 T.V.L.Z.	5-28-86	DOWN	
E	SEE SHEETS 2 & 4 FOR # 9129	2-28-96	K.D.B.	

PRELIMINARY DRAWING
DO NOT USE FOR PRODUCTION

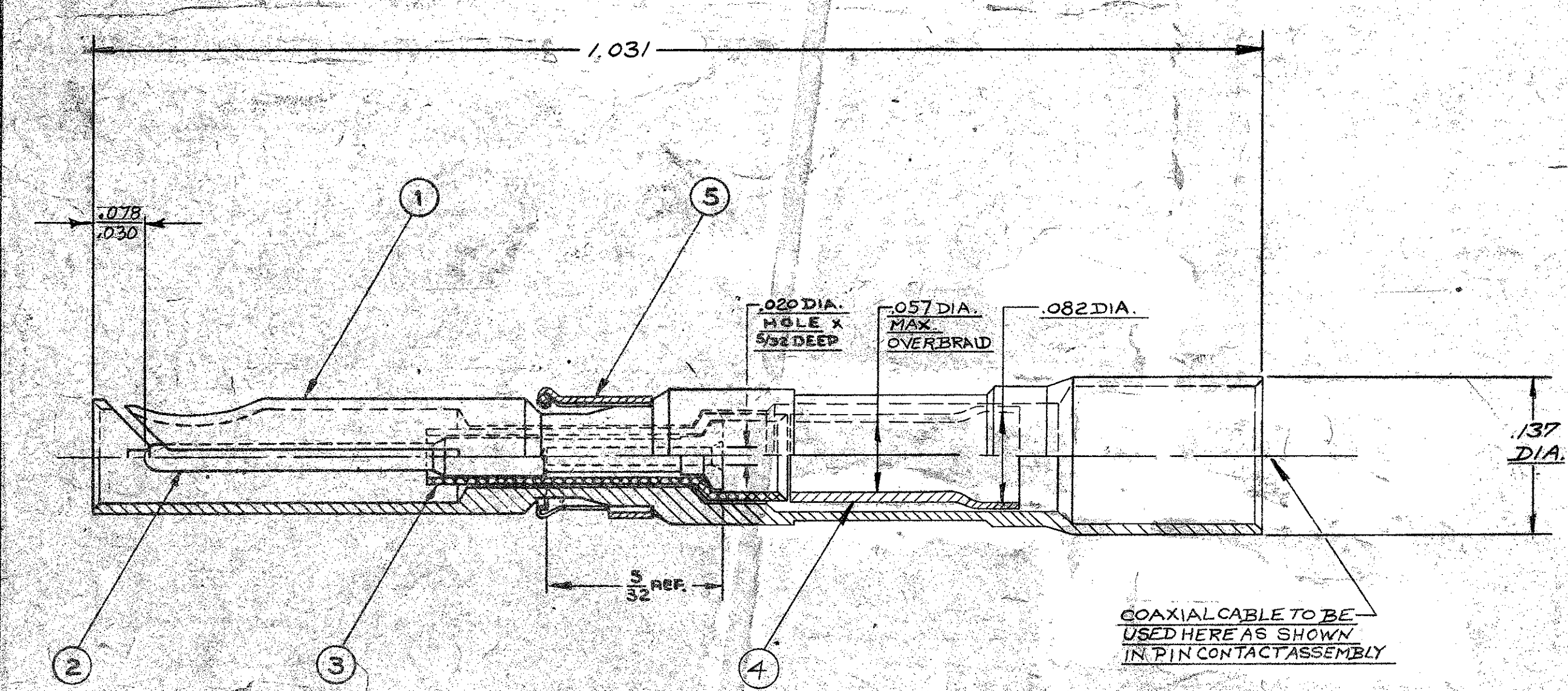
GENERAL NOTES UNLESS OTHERWISE SPECIFIED
 1. ALL DIMENSIONS ARE IN INCHES.
 2. ALL DIMENSIONS ARE
 3. REMOVE ALL BURRS TO ____ MAX.
 4. BREAK ALL SHARP EDGES EQ. TO ____ R. MAX.
 5. ____ R. MAX. ON INSIDE CORNERS.
 6. ALL DIAMETERS CONCENTRIC. ____ T.I.R. MAX.
 7. ALL SURFACES TO BE SQUARE AND/OR PARALLEL WITHIN ____ IN./IN.
 8. GENERAL SURFACE FINISH TO BE MICROINCHES RMS. MAX.
 9. TOLERANCES
 XX ±.010
 XXX ±.003
 10. WEIGHT

TITLE			
OUTLINE ASSEMBLY - MRAC			
SHIELDED PIN & SOCKET CONTACT			
SCALE	DR. E. BEARENS	CHKD. E. FELICSSON	APP'D. CR
10 X 1	DATE 8-29-66	DATE 8-29-66	DATE 8/30/66
WINCHESTER ELECTRONICS			
DIVISION OF LITTON PRECISION PRODUCTS, INC.			
DARVILLE, CONN.			
DWG. NO.	P 100-80	REV.	E
SIZE	C	SHEET	# 5 OF 7



PIN CONTACT ASSEMBLY
CAT. NO. 100-8005 P

- ① PIN CONTACT (OUTER)
PHOSPHOR BRONZE, QQ-B-750, GOLD OVER COPPER FLASH
- ② SOCKET CONTACT (INNER)
BERYLLIUM COPPER, QQ-C-530, GOLD OVER COPPER FLASH
- ③ INSULATING SLEEVE (LONG)
POLYPROPYLENE
- ④ CRIMP FERRULE
BERYLLIUM COPPER, QQ-C-530, GOLD OVER COPPER FLASH
- ⑤ RETAINING CLIP
BERYLLIUM COPPER, QQ-C-533, GOLD OVER COPPER FLASH



SOCKET CONTACT ASSEMBLY
CAT. NO. 100-8005 S

- ① SOCKET CONTACT (OUTER)
BERYLLIUM COPPER, QQ-C-530, GOLD OVER COPPER FLASH
- ② PIN CONTACT (INNER)
PHOSPHOR BRONZE, QQ-B-750, GOLD OVER COPPER FLASH
- ③ INSULATING SLEEVE (SHORT)
POLYPROPYLENE
- ④ CRIMP FERRULE
BERYLLIUM COPPER, QQ-C-530, GOLD OVER COPPER FLASH
- ⑤ RETAINING CLIP
BERYLLIUM COPPER, QQ-C-533, GOLD OVER COPPER FLASH

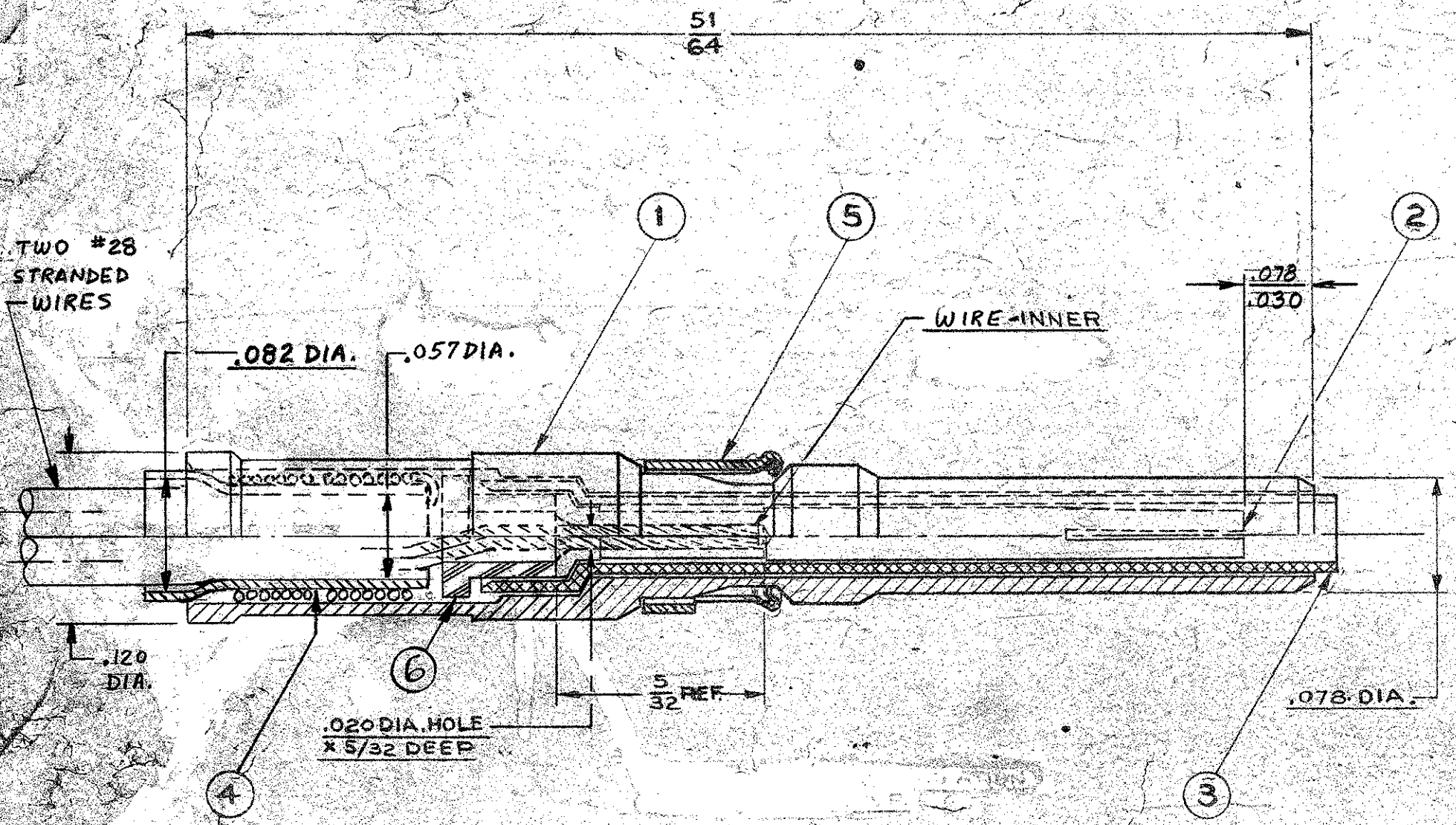
100-80
SHEET # 6 OF 7 E

REV	CHANGE	DATE	BY	CHK
A	.057 DIA, MAX. OVER BRAID. MAX. OVER DIA. MAX. OVER BRAID. (C. PLUS) EN 11807	9-25-68	J.K.	J.K.
B	ADDED 2 PLACES PER ECR #20-80 EN 12894	6-2-71	S.K.	S.K.
D	SEE SHEETS 2 & 4 EWP #20-80 EN 18847	5-28-86	DNNA	DNNA
E	SEE SHEETS E & F ECR # 429	2-28-92	K.D.B.	K.D.B.

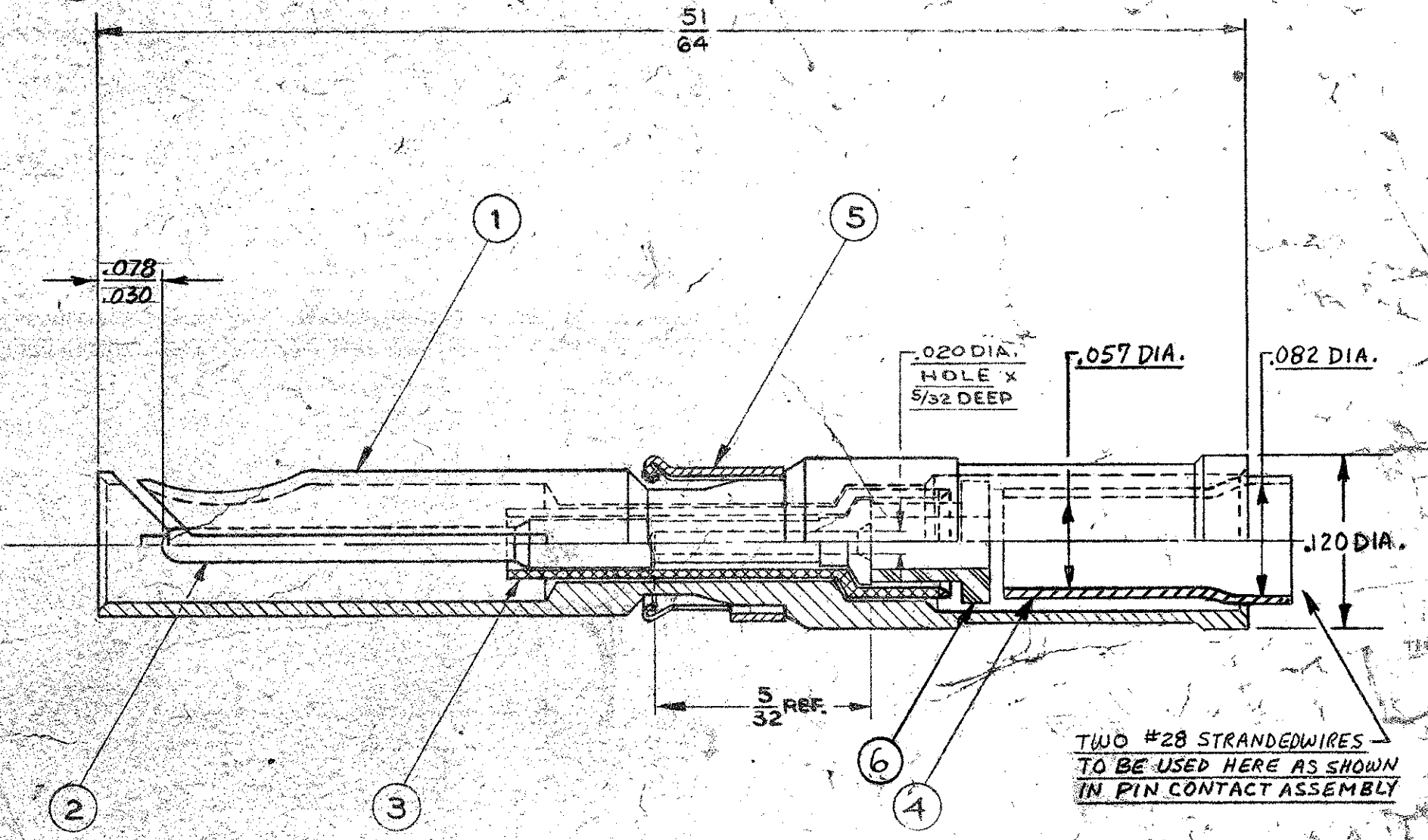
GENERAL NOTES UNLESS OTHERWISE SPECIFIED
 1. ALL DIMENSIONS ARE IN INCHES.
 2. ALL DIMENSIONS ARE
 3. REMOVE ALL BURRS TO _____ MAX.
 4. BREAK ALL SHARP EDGES EQ. TO _____ R. MAX.
 5. _____ R. MAX. ON INSIDE CORNERS.
 6. ALL DIAMETERS CONCENTRIC _____ T.I.R. MAX.
 7. ALL SURFACES TO BE SQUARE AND/OR PARALLEL WITHIN _____ IN./IN.
 8. GENERAL SURFACE FINISH TO BE MICROINCHES RMS. MAX.
 9. TOLERANCES
 XX ±.010
 XXX ±.003
 10. WEIGHT

FRACTIONS: ±1/4 ANGLES: ±1/4 EN-11397

TITLE			
OUTLINE ASSEMBLY - NTRAC			
SHIELDED PIN & SOCKET CONTACT			
SCALE	DR	CHK	APP'D
10 X 1	DALEY	ZIEM	MC
DATE	DATE	DATE	DATE
2-16-67	2-27-67	2/16/67	
WINCHES (ER ELECTRONICS			
DIVISION OF LITTON PRECISION PRODUCTS INC.			
GASVILLE, CONN.			
DWG	100-80		
REV	SHEET # 6 OF 7		E



PIN CONTACT ASSEMBLY
CAT. NO. 100-8006 P



SOCKET CONTACT ASSEMBLY
CAT. NO. 100-8006 S

- ① PIN CONTACT (OUTER)
PHOSPHOR BRONZE, QQ-B-750, GOLD OVER COPPER FLASH
- ② SOCKET CONTACT (INNER)
BERYLLIUM COPPER, QQ-C-530, GOLD OVER COPPER FLASH
- ③ INSULATING SLEEVE (LONG)
POLYPROPYLENE
- ④ CRIMP FERRULE
BERYLLIUM COPPER, QQ-C-530, GOLD OVER COPPER FLASH
- ⑤ RETAINING CLIP
BERYLLIUM COPPER, QQ-C-533, GOLD OVER COPPER FLASH
- ⑥ BUSHING, DIELECTRIC
THERMOPLASTIC MATERIAL

- ① SOCKET CONTACT (OUTER)
BERYLLIUM COPPER, QQ-C-530, GOLD OVER COPPER FLASH
- ② PIN CONTACT (INNER)
PHOSPHOR BRONZE, QQ-B-750, GOLD OVER COPPER FLASH
- ③ INSULATING SLEEVE (SHORT)
POLYPROPYLENE
- ④ CRIMP FERRULE
BERYLLIUM COPPER, QQ-C-530, GOLD OVER COPPER FLASH
- ⑤ RETAINING CLIP
BERYLLIUM COPPER, QQ-C-533, GOLD OVER COPPER FLASH
- ⑥ BUSHING, DIELECTRIC
THERMOPLASTIC MATERIAL

100-80 E
SHEET #7 OF 7

DATE	12/28/70	DR.	JAC	CHK'D.	S. JAEM	AP'D.	ED	
SCALE	10:1	DATE	12/17/70	DATE	12-28-70	DATE	12/28/70	
WINCHESTER ELECTRONICS DIVISION OF LITTON PRECISION PRODUCTS INC. DARVILLE, CONN.								
DWG. NO.	100-80 SHEET #7 OF 7						REV	E

RELEAS'D	EN 12652	ADD'D.	025/030	5-28-86	2-28-96
D/W	2 PLATES	PER	ENR # 143	ENR # 220-86	ENR # 4129
SEE	SHEETS 2 & 4	ENR	# 18847	SEE	SHEETS 2 & 4
ENR	# 4129	ENR	# 4129	ENR	# 4129

GENERAL NOTES UNLESS OTHERWISE SPECIFIED
 1. ALL DIMENSIONS ARE IN INCHES.
 2. ALL DIMENSIONS ARE
 3. REMOVE ALL BURRS TO MAX.
 4. BREAK ALL SHARP EDGES EQ. TO R. MAX.
 5. R. MAX. ON INSIDE CORNERS.
 6. ALL DIAMETERS CONCENTRIC T.I.R. MAX.
 7. ALL SURFACES TO BE SQUARE AND/OR PARALLEL WITHIN .001 IN./IN.
 8. GENERAL SURFACE FINISH TO BE .8 MICRONS RMS. MAX.
 9. TOLERANCES FRACTIONS
 .XX ±.010
 .XXX ±.003
 10. WEIGHT ANGLES ±.2°

TITLE OUTLINE ASSEMBLY - MRAC
 SHIELDED PIN & SOCKET CONTACT
 MATERIAL SEE ABOVE
 FINISH SEE ABOVE
 SCALE 10:1
 DR. JAC
 DATE 12/17/70
 CHK'D. S. JAEM
 DATE 12-28-70
 AP'D. ED
 DATE 12/28/70
 WINCHESTER ELECTRONICS
 DIVISION OF LITTON PRECISION PRODUCTS INC.
 DARVILLE, CONN.