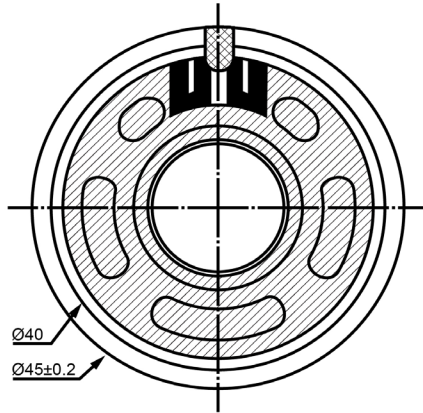
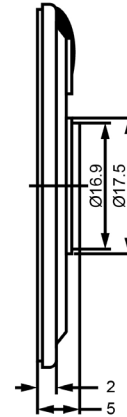



TOP VIEW



SIDE VIEW



Specifications			Notes	Revision History					
Description	Value	Unit		Version	Description	Date	Approved		
Shape	Round		1) All dimensions are in mm unless otherwise noted 2) All parts meet RoHS  DB UNLIMITED	1	Released from Engineering	10/21/2013	J.S		
Resonant Frequency	500	(Hz)							
Frequency Range	500 ~ 5,000	(Hz)							
SPL @ 10cm	90	(dBA)							
Impedance	8	(Ohm)							
Cone Material	Mylar								
Nominal Power	0.5	(W)							
Max Power	1	(W)							
Mount Type	Flush Mount								
Operating Temperature	-25 ~ +55	°C							
Storage Temperature	-25 ~ +55	°C							
Weight	11	(g)							
				Dynamic Speaker		SM450508-2			
				Drawn by	Date	Checked by	Date	Approved by	Date
				A.B.	10/21/2013	C.E.	10/21/2013	J.S	10/21/2013