

Si80XX THREE TO SIX CHANNEL DIGITAL ISOLATOR EVALUATION BOARD USER'S GUIDE

1. Introduction

The Si80xx evaluation kit allows designers to evaluate Silicon Lab's family of low-power digital isolators. These are CMOS devices offering substantial data rate, propagation delay, power, size, reliability, and external BOM advantages over legacy isolation technologies. The operating parameters of these products remain stable across wide temperature ranges and throughout device service life for ease of design and highly uniform performance. All device versions have Schmitt trigger inputs for high noise immunity and only require VDD bypass capacitors. Data rates up to 10 Mbps are supported, and all devices achieve propagation delays of less than 65 ns. Enable inputs provide a single point control for enabling and disabling output drive. Ordering options include a choice of 1kV_{RMS} isolation ratings. For more information, refer to the Si80xx family data sheets. This evaluation kit consists of an evaluation board featuring the QSOP-16 package. Note that the other packages are not available at this time.

1.1. Kit Contents

The Si80xx Evaluation Kit contains the following items:

- Si80xx based evaluation board as shown in Figures 1.
- Si80xx Digital isolator (installed on the evaluation board)
 - Si8065 (QSOP-16)

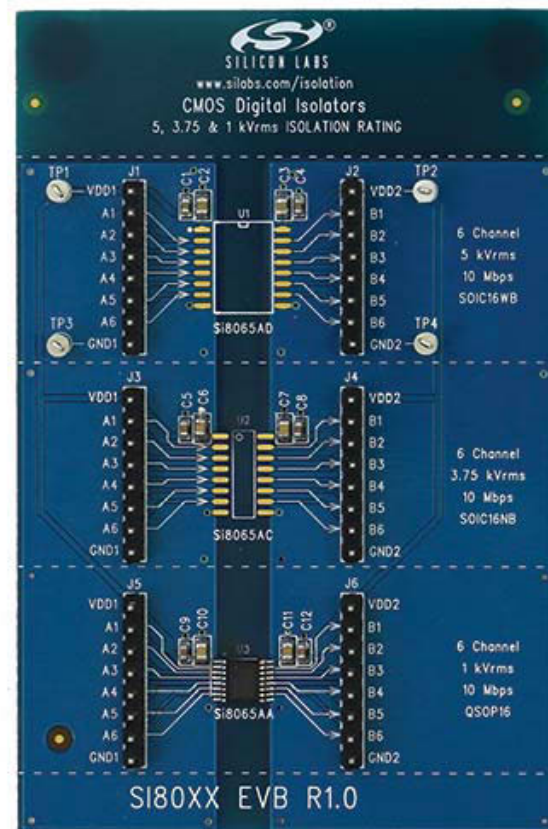


Figure 1. Si80xx Evaluation Board Overview

2. Required Equipment

The following items are required to demonstrate the evaluation board:

- 1 digital multimeter
- 2 multimeter test leads (red and black)
- 1 oscilloscope (Tektronix TDS 2024B or equivalent)
- 1 BNC splitter
- 4 coaxial cables
- 2 dc power supply (HP6024A, 30 V dc, 0–100 mA or equivalent)
- 2 BNC to clip converters (red and black)
- 4 Banana to clip wires (2 red and 2 black)
- 1 function generator (Agilent 33220A, 20 MHz or equivalent)
- Si80xx Evaluation Board (board under test)
- Si80xx Digital Isolator Input Evaluation Board User's Guide (this document)

3. Hardware Overview and Demo

Figure 2 illustrates the connection diagram used to demonstrate the Si80xx-EVB. This demo transmits a 500 kHz (5 V peak, 50 percent duty cycle) square wave through the isolator to its output. In this example, VDD1 and VDD2 are powered by 5 V supplies. Figure 3 shows a scope shot of CH1 (input) and CH2 (output). Note that if a user wants to evaluate a digital isolator other than the ones pre-populated, this can be accomplished by removing the installed device and replacing it with the desired footprint-compatible isolator device.

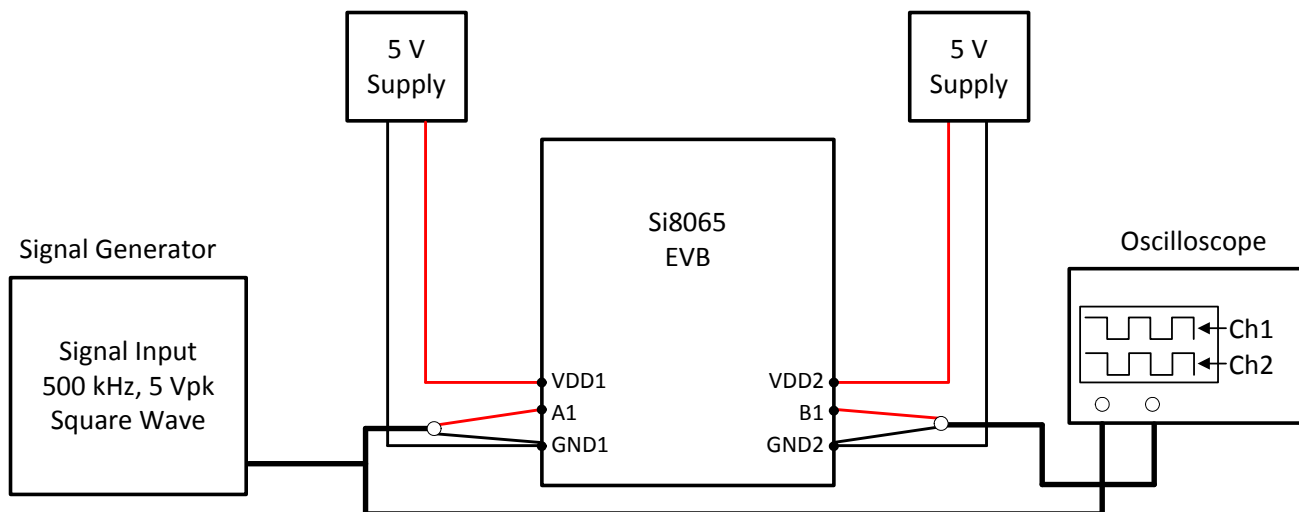


Figure 2. Summary Diagram and Demo Setup

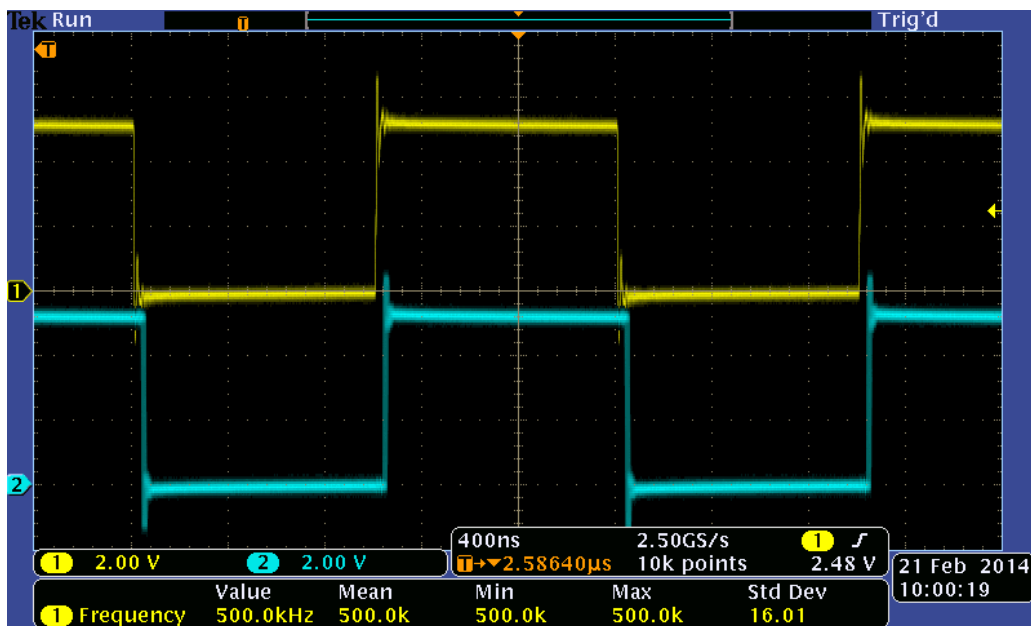


Figure 3. Oscilloscope Display of Input and Output

3.1. DC Supply Configuration

To run the demo, follow the instructions below. Review Figure 2 and Figure 5 if necessary.

1. Turn OFF the dc power supply and ensure that the output voltage is set to its lowest output voltage.
2. Connect the banana ends of the black and red banana-to-clip terminated wires to the outputs of both dc supplies.
3. For the input side of the Si80xx-EVB, connect the clip end of the red banana-to-clip terminated wire to VDD1 and the clip end of the black wire to GND1.
4. Similarly, for the output side of the EVB, the red wire goes to VDD2 and the black wire goes to GND2.
5. Turn ON the dc power supply and adjust both dc power supplies to provide 5 V on their outputs.
6. Ensure that the current draw is less than 25 mA. If it is larger, this indicates that either the board or Si80xx has been damaged or the supply is connected backwards.

3.2. Wave Form Generator

1. Turn ON the arbitrary waveform generator with the output disengaged.
2. Adjust its output to provide a 500 kHz, 0 to 5 V peak square wave (50 percent duty cycle) to its output.
3. Connect one end of the first coaxial cable to the output of the signal generator.
4. Connect the BNC splitter to the other end of the first coaxial cable.
5. From the BNC splitter, connect the second coaxial cable to CH1 of the scope. CH1 will display the input to the EVB.
6. Connect the third coaxial cable to the BNC splitter, and connect a BNC-to-clip converter to the end of this coaxial cable.
7. From here, connect the clip end of the BNC-to-clip converter to the Si80xx-EVB's A1 (red wire here) and GND1 (black wire here).
8. Connect one end of the fourth coaxial cable to a BNC-to-clip converter (note that a scope probe can be used here instead).
9. From here, connect the clip end of the BNC-to-clip converter to the Si80xx-EVB's B1 (red wire here) and GND2 (black wire here).
10. Connect the other end of the fourth coaxial cable to CH2 of the oscilloscope. CH2 will display the output of the EVB.
11. Engage the output of the waveform generator.

3.3. Oscilloscope Setup

1. Turn ON the oscilloscope.
2. Set the scope to Trigger on CH1 and adjust the trigger level to 1 V minimum.
3. Set CH1 and CH2 to 2 V per division.
4. Adjust the seconds/division setting to 400 ns/division.
5. Adjust the level indicator for all channels to properly view each channel as shown in Figure 3.

A 500 kHz square wave should display on Channel 1 of the scope for the input and a 5 V delayed version of this square wave should display the output on Channel 2, as shown in Figure 3. This concludes the basic demo.

4. Hardware and Overview Setup

The board is designed to be powered from two separate supplies VDD1, VDD2 that can be independently varied from 3.15 to 5.5 V. Figure 4 shows a silkscreen overview of the board and Figure 5 shows the board schematic.

The power and jumper connection descriptions are summarized here:

- J1/3/5 Stake headers used to power and connect to the digital isolator's Side1 pins.
- J2/4/6 Stake headers used to power and connect to the digital isolator's Side 2 pins.
- TP1/2/3/4 Test Points that can also be used to provide VDD and GND.

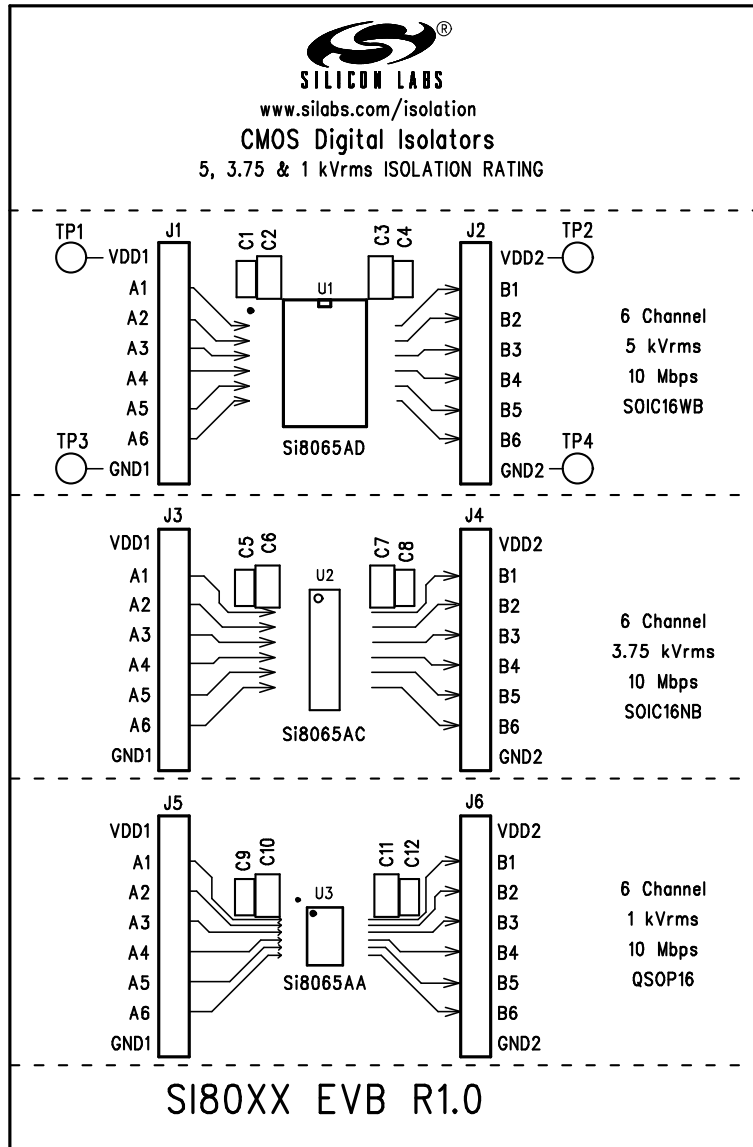


Figure 4. Si80xx DIP8 Evaluation Board Silkscreen

5. Si80xx Evaluation Board Schematics

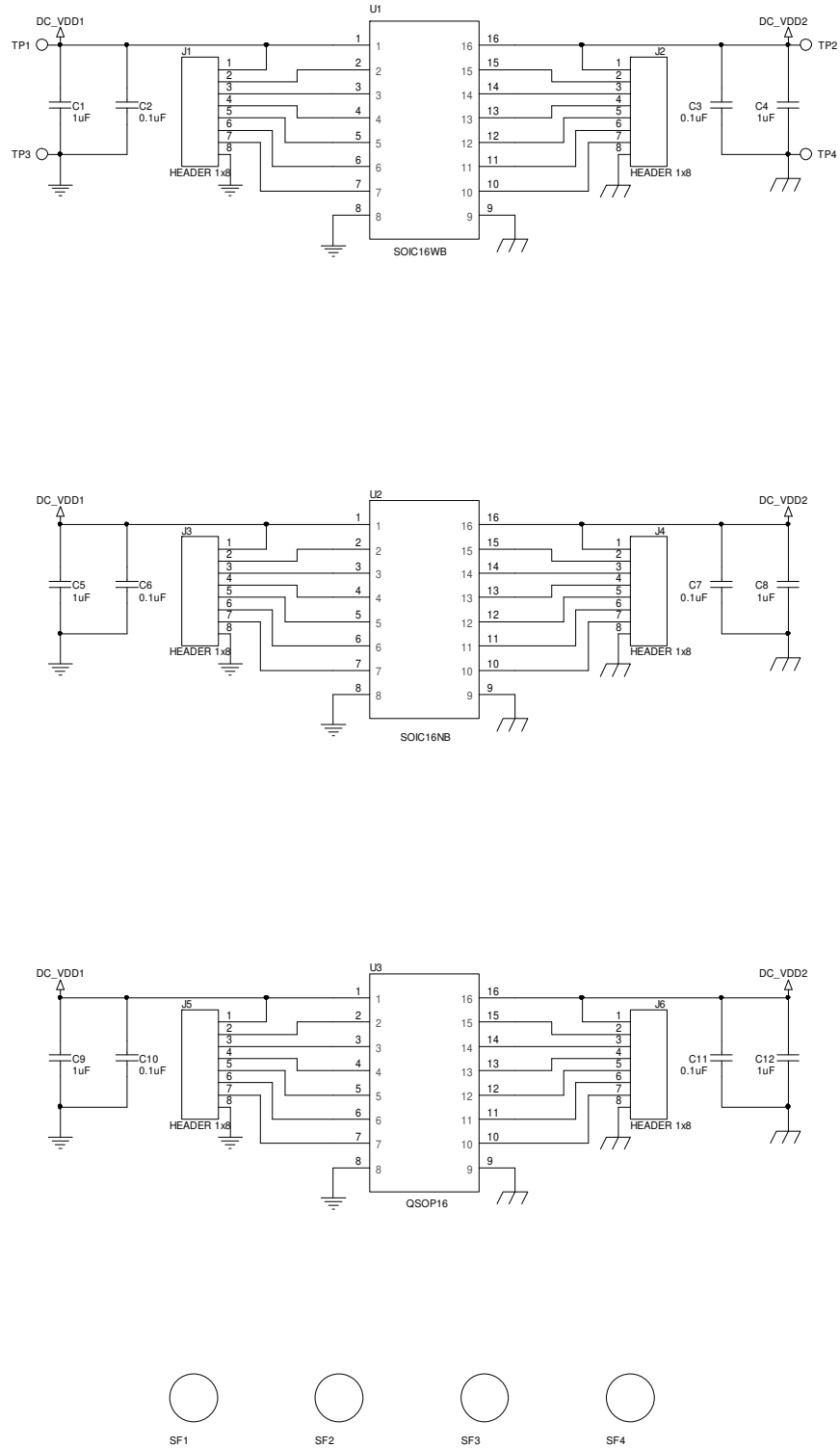


Figure 5. Si80xx Evaluation Board Schematic

6. Bill of Materials**Table 1. Si80xx Evaluation Board Bill of Materials**

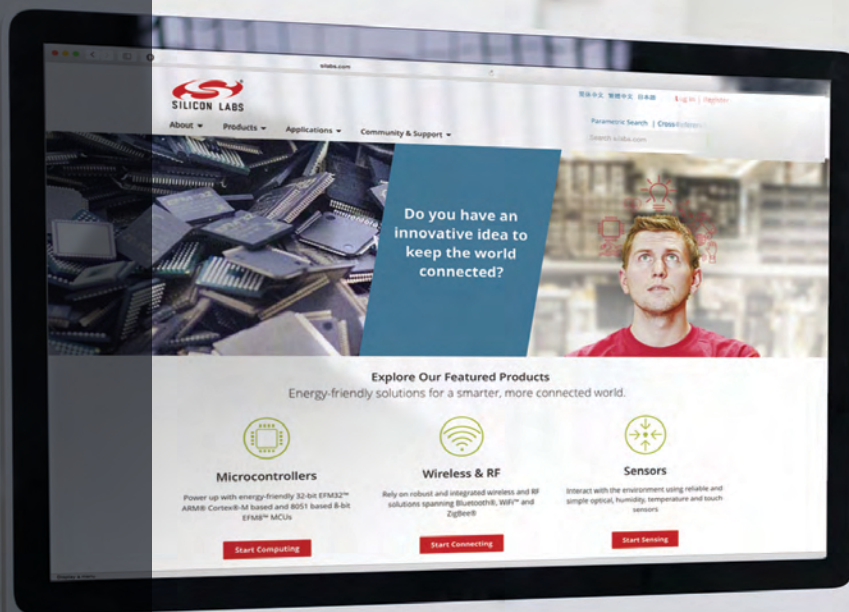
Item	Qty	Ref	Part #	Supplier	Description	Value
1	6	C1, C4, C5, C8, C9, C12	C0603X5R250-105K	Venkel	CAP, 1 μ F, 25 V, \pm 10%, X5R, 0603	1 μ F
2	6	C2, C3, C6, C7, C10, C11	C0805X7R101-104K	Venkel	CAP, 0.1 μ F, 100 V, \pm 10%, X7R, 0805	0.1 μ F
3	6	J1, J2, J3, J4, J5, J6	TSW-108-07-T-S	Samtec	Header, 1x8, 0.1in pitch, tin plated	HEADER 1x8
4	4	SF1, SF2, SF3, SF4	SJ61A6	3M	HDW, Bumpon cylindrical 312X.215 BLK	Bumper
5	4	TP1, TP2, TP3, TP4	151-201-RC	Kobiconn	Testpoint, White, PTH	White
6	1	U1	Si8065AD-B-IS (not installed)	Silicon Labs	IC, three to six-channel digital isolators, SOIC16WB	SOIC16WB
7	1	U2	Si8065AC-B-IS1 (not installed)	Silicon Labs	IC, three to six-channel digital isolators, SOIC16NB	SOIC16NB
8	1	U3	Si8065AA-B-IU	Silicon Labs	IC, isolator, 6 I/O, QSOP16	QSOP16

Si80xx-EVB

7. Ordering Guide

Table 2. Si80xx Evaluation Board Ordering Guide

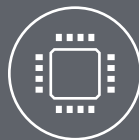
Ordering Part Number (OPN)	Description
Si80xx-KIT	Si80xx Isolator Evaluation Board Kit



Smart.
Connected.
Energy-Friendly



Products
www.silabs.com/products



Quality
www.silabs.com/quality



Support and Community
community.silabs.com

Disclaimer

Silicon Laboratories intends to provide customers with the latest, accurate, and in-depth documentation of all peripherals and modules available for system and software implementers using or intending to use the Silicon Laboratories products. Characterization data, available modules and peripherals, memory sizes and memory addresses refer to each specific device, and "Typical" parameters provided can and do vary in different applications. Application examples described herein are for illustrative purposes only. Silicon Laboratories reserves the right to make changes without further notice and limitation to product information, specifications, and descriptions herein, and does not give warranties as to the accuracy or completeness of the included information. Silicon Laboratories shall have no liability for the consequences of use of the information supplied herein. This document does not imply or express copyright licenses granted hereunder to design or fabricate any integrated circuits. The products must not be used within any Life Support System without the specific written consent of Silicon Laboratories. A "Life Support System" is any product or system intended to support or sustain life and/or health, which, if it fails, can be reasonably expected to result in significant personal injury or death. Silicon Laboratories products are generally not intended for military applications. Silicon Laboratories products shall under no circumstances be used in weapons of mass destruction including (but not limited to) nuclear, biological or chemical weapons, or missiles capable of delivering such weapons.

Trademark Information

Silicon Laboratories Inc., Silicon Laboratories, Silicon Labs, SiLabs and the Silicon Labs logo, CMEMS®, EFM, EFM32, EFR, Energy Micro, Energy Micro logo and combinations thereof, "the world's most energy friendly microcontrollers", Ember®, EZLink®, EZMac®, EZRadio®, EZRadioPRO®, DSPLL®, ISOmodem®, Precision32®, ProSLIC®, SiPHY®, USBXpress® and others are trademarks or registered trademarks of Silicon Laboratories Inc. ARM, CORTEX, Cortex-M3 and THUMB are trademarks or registered trademarks of ARM Holdings. Keil is a registered trademark of ARM Limited. All other products or brand names mentioned herein are trademarks of their respective holders.



Silicon Laboratories Inc.
400 West Cesar Chavez
Austin, TX 78701
USA

<http://www.silabs.com>