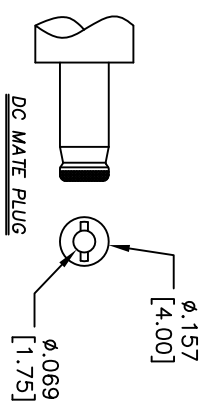
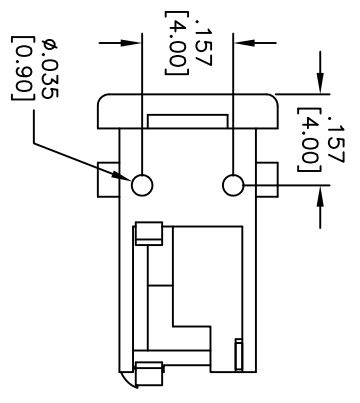
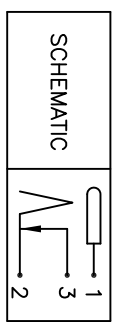
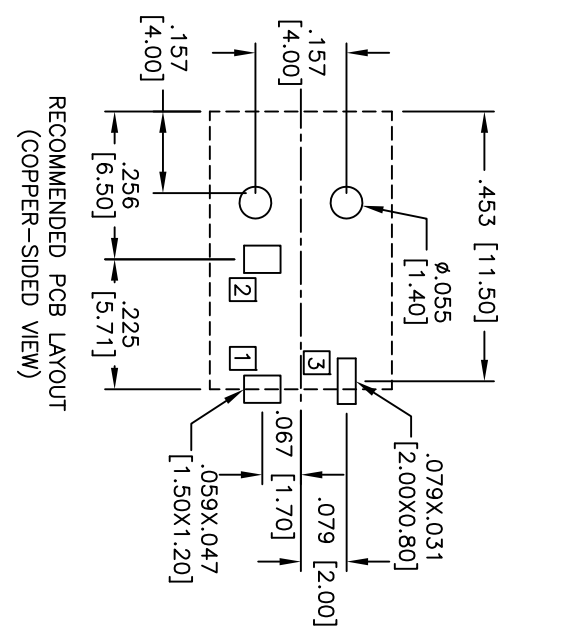
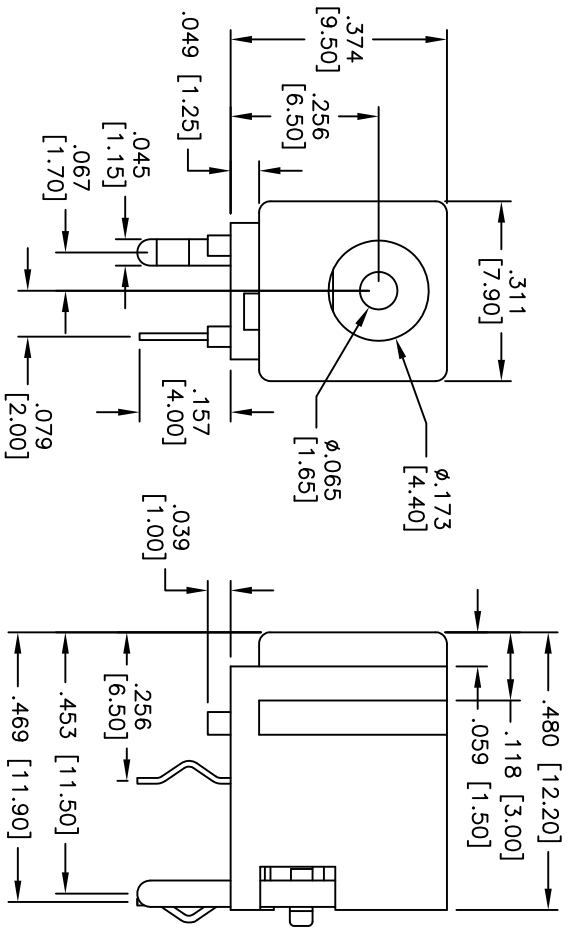


Rev	AWO #	Description	Date	Appr
-		RELEASED	8/28/09	

APPROVED: \_\_\_\_\_  
 DATE: \_\_\_\_\_ TITLE: \_\_\_\_\_



B

**SPECIFICATIONS:**

- Material: Insulator: PBT, rated UL 94V-0
- Insulator color: Black
- Center Pin: Brass
- Contacts: Copper Alloy
- Plating: Tin over Copper underplate overall

- Electrical: Operating voltage: 30 VDC max.
- Current rating: 1 Amp max.
- Contact resistance: 30 mohms max. initial
- Insulation resistance: 100 Mohms min.
- Dielectric withstanding voltage: 500 VAC for 1 minute
- Temperature Rating: Operating temperature: -25°C to +70°C
- Environmental: Lead free, RoHS compliant
- Recommended soldering temp: 235°C for 5 sec.

A

UNLESS OTHERWISE SPECIFIED  
 ALL DIMENSIONS ARE IN INCHES [MM]  
 TOLERANCES: EXCEPT AS NOTED

INCHES	HOLES
.X ± .10	$\phi$ X ± .10
.XX ± .020	$\phi$ XX ± .015
.XXX ± .015	$\phi$ XXX ± .010

APPROVALS

DATE
8/28/09

**ADAM TECH**  
 909 Rahway Avenue, Union, NJ 07083  
 Phone: 908-687-5000 Fax: 908-687-5710

DC POWER JACK, 1.65mm CENTER PIN

A

6

5

4

3

2

1

REV.

SHEET 1 OF 1



SIZE	PART NO.
X	ADC-023A-9

SCALE	NTS	SHEET	1 OF 1