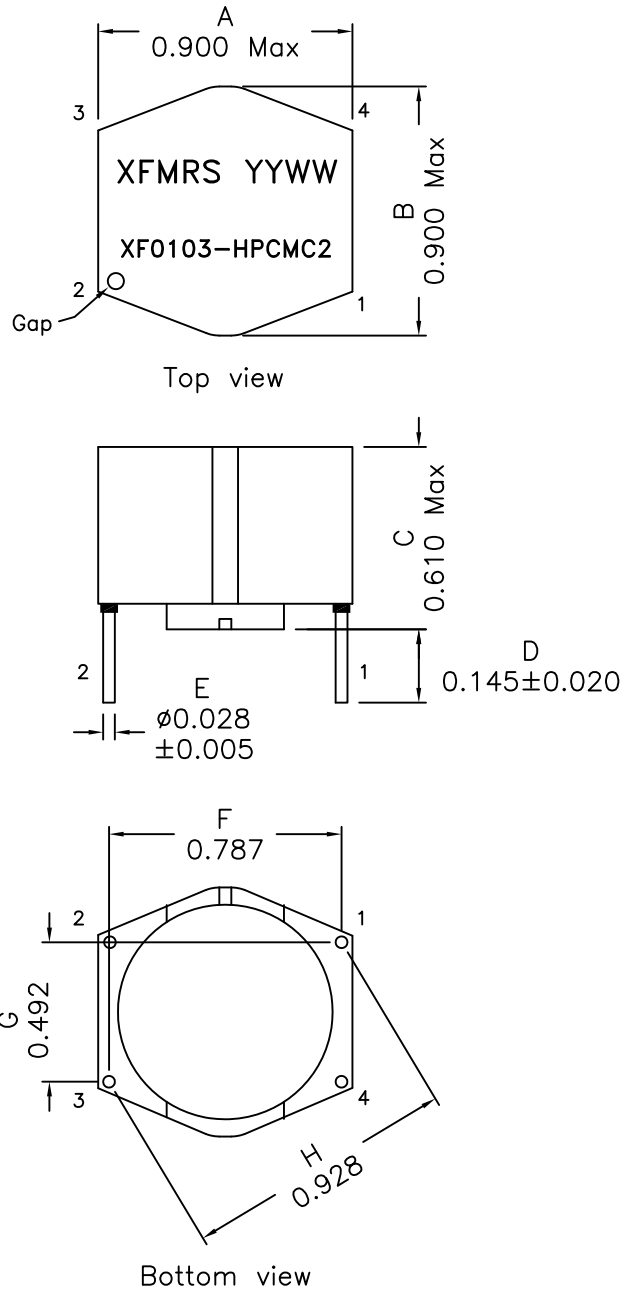
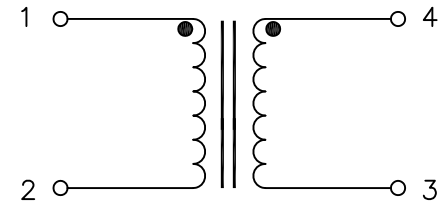


1. Mechanical Dimensions:



2. Schematic:



3. Electrical Specifications:@25°C

OCL: 10mH±30%@100KHz 0.1V, Each Wdg

Q: Pins 1-2 20 Min @10KHz 0.1V

DCR: 0.480 Ohms Typ, Each Wdg

LL: 140uH Typ @100KHz 0.1V, Short Opposite Wdg

Rated Current: 1Amp

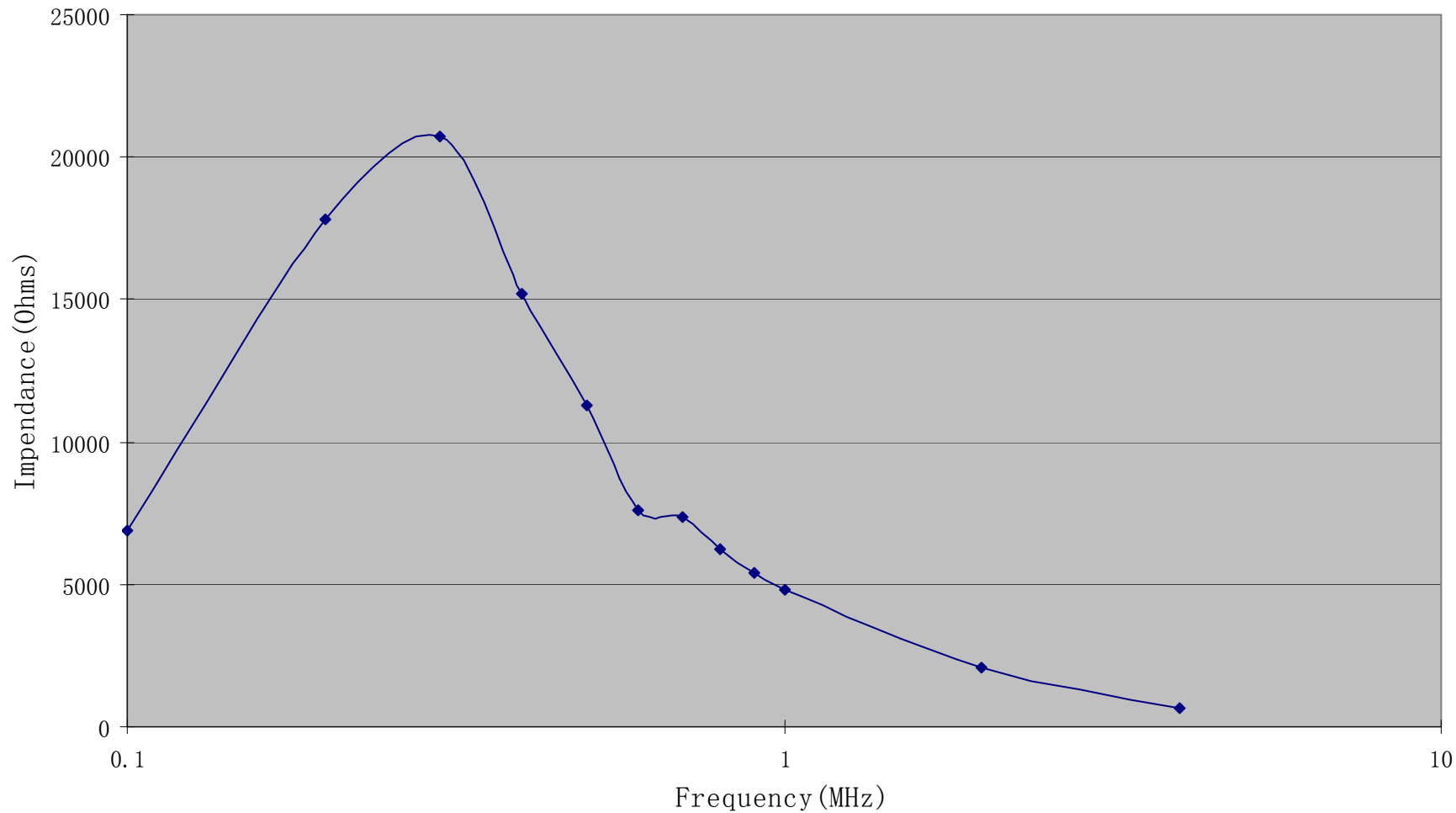
Hipot: 1500Vac, Wdg to Wdg

Notes:

1. Solderability: Leads shall meet MIL-STD-202G, Method 208H for solderability.
2. Flammability: UL94V-0
3. ASTM oxygen index: > 28%
4. Insulation System: Class F 155°C. UL file E151556
5. Operating Temperature Range: All listed parameters are to be within tolerance from -40°C to +85°C
6. Storage Temperature Range: -55°C to +125°C
7. Aqueous wash compatible
8. Electrical and mechanical specifications 100% tested
9. RoHS Compliant Component

DOC. REV: A/7

| | | | |
|--|------|-----------------------------|-----------|
| XFMRS Inc. www.XFMRS.com | | Title: Common Mode Choke | |
| UNLESS OTHERWISE SPECIFIED TOLERANCES: .xxx ±0.020 Dimensions in INCH | | P/N: XF0103-HPCMC2 | REV. A |
| | DWN. | Feng | Jul-13-12 |
| | CHK. | YK Liao | Jul-13-12 |
| SHEET 1 OF 2 | APP. | BSJ | Jul-13-12 |



DOC. REV: A/7

| | | | | |
|------------------------------------|----------------------------|---------|--------------------|--------|
| XFMRs Inc. www.XFMRS.com | Title: Common Mode Choke | | | |
| | UNLESS OTHERWISE SPECIFIED | | P/N: XF0103-HPCMC2 | REV. A |
| TOLERANCES: | DWN. | Feng | Jul-13-12 | |
| .xxx ±0.020 | CHK. | YK Liao | Jul-13-12 | |
| Dimensions in INCH | APP. | BSJ | Jul-13-12 | |
| SHEET 2 OF 2 | | | | |

PROPRIETARY

Document is the property of XFMRs Group & is not allowed to be duplicated without authorization.