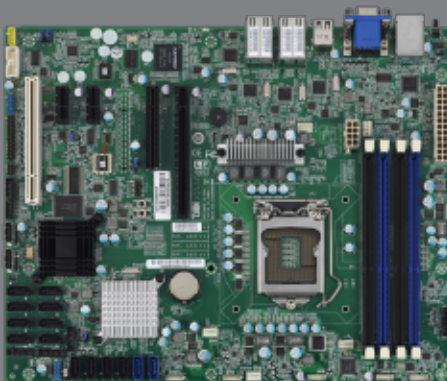
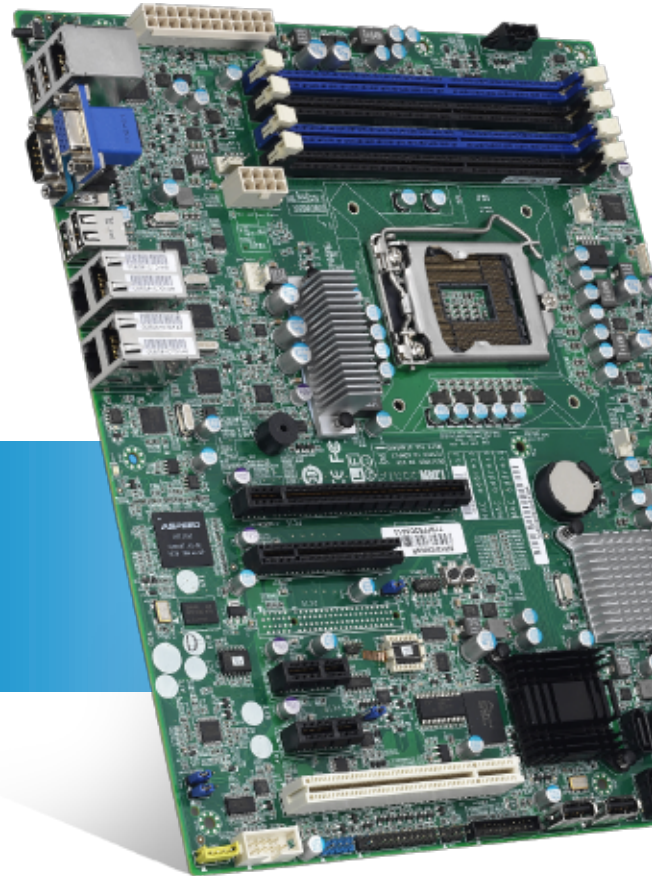
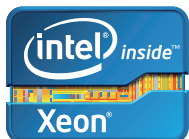


SINGLE-SOCKET ATX SERVER / WORKSTATION PLATFORM

S5512

S5512G2NR-LE / S5512GM2NR
S5512WGM2NR / S5512GM4NR



■ Intel® C204 Chipset

High-end single server / workstation storage and virtualization

- Single LGA1155 socket supports (1) Intel® Xeon® processor E3-1200 i3-2100 (32nm / 22nm) series processors
 - Intel® C204 PCH / C202 PCH
 - (4) 240-pin DDR3 DIMM slots support up to 32GB U-DDR3 1600/1333/1066 MHz w/ ECC memory
 - (2) PCI-E 2.0 x 1 slot (x1 link)
 - (1) PCI-E 2.0 x 8 slot (x4 link) (w/o-LE and -W SKU)
 - (1) PCI-E 2.0/3.0 x 8 slot (x8 link)
 - (1) PCI-E 2.0/3.0 x 16 slot (x8 link or x16 link; default x8 link) PCI-E 3.0 only for Ivy Bridge CPU
 - (4) SATA-II connectors w/ RAID 0, 1, 10, 5 support
 - (2) SATA-III connectors
 - (4) GbE LAN + (1) 10/100 MB IPMI port
 - AST2150 BMC w/ IPMI and iKVM support
 - ATX (12" x 9.6") form factor
- * Use Intel® IVY Bridge CPU to Support PCI-E Gen.3

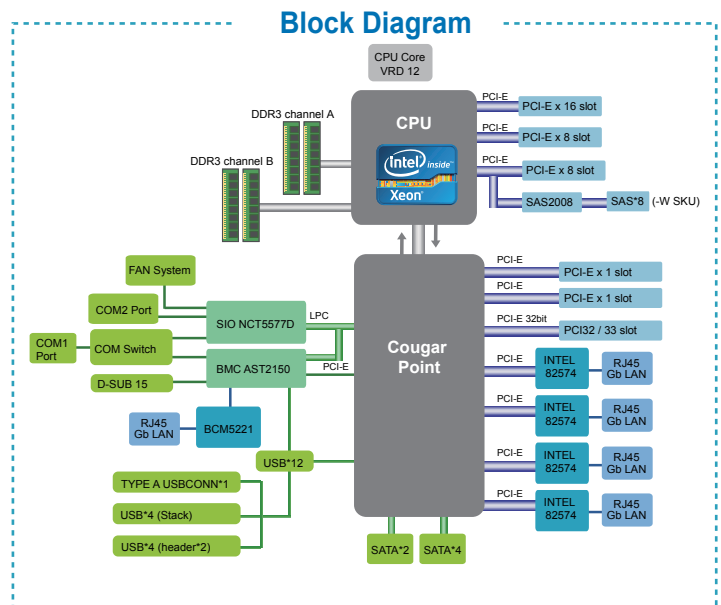


S5512

S5512G2NR-LE / S5512GM2NR / S5512WGM2NR / S5512GM4NR

TYAN Specifications

Processor	Supported CPU Series	Intel Xeon E3-1200, i3-2100 (32nm/ 22nm) series processors	
	Socket Type / Q'ty	LGA1155 / (1)	
	Thermal Design Power (TDP) wattage	95W/ 80W/ 65W/ 45W/ 20W	
Chipset	PCH / PCI-E Switch	Intel® C204 / C202(-LE SKU)	
	Super I/O	NCT 5577D	
Memory	Supported DIMM Qty	(4) DIMM sockets	
	DIMM Type / Speed	DDR3 1066/ 1333/ 1600 UDIMM	
	Capacity	Up to 32GB ECC UDIMM	
	Memory channel	2 Channels	
	Memory voltage	1.5V	
Expansion Slots	PCI-E	(2) PCI-E 2.0 x 1 slot (x1 link) (1) PCI-E 2.0 x 8 slot (x 4 link) (w/o-LE and -W SKU) (1) PCI-E 2.0/3.0 x 8 slot (x8 link) (1) PCI-E 2.0/3.0 x 16 slot (x8 link or x16 link; default x8 link) PCI-E 3.0 only for Ivy Bridge CPU	
	PCI	(1) PCI slot	
LAN	Port Q'ty	Max (5)	
	Controller	Intel® 82574L + BCM5221	
Storage	SAS (opt.)	Connector	(8) Single port
		Controller	LSI SAS2008 (-W SKUs only)
		Speed	6.0 Gb/s
	SATA	RAID	RAID 0/1/1E/10 (LSI Integrated RAID)
		Connector	(6) Single-port
		Controller	Intel® Cougar point C204
SATA	Speed	2 for 6.0 Gb/s(blue color), 4 for 3.0 Gb/s(black color) -LE SKU 6 for 3.0 Gb/s	
	RAID	RAID 0/1/10/5 (Intel® RST)	
Graphic	Connector type	D-Sub 15-pin	
	Resolution	1600x1200@60Hz	
	Chipset	Aspeed AST2150	
Input /Output	USB	(10) USB2.0 ports (4 at rear, 4 via cable, 2 type A onboard)	
	COM	(2) ports (1 at rear, 1 via cable)	
	SAS	(8) single SAS port	
	VGA	(1) D-Sub 15-pin VGA port	
	RJ-45	Max (5) GbE ports	
	Power	SSI 24-pin + 8-pin power connectors	
	Front Panel	(1) 2x12 pin SSI front panel header	
	SATA	(6) single port SATA connectors	
	System Monitoring	Chipset	W83795G
		Voltage	Monitors voltage for CPU, memory, chipset & power supply
Fan		Total (5) 4-pin headers	
Temperature		Monitors temperature for CPU & system environment	
Others		Chassis intrusion detection Watchdog timer support	



Server Management	Onboard Chipset	Onboard Aspeed AST2150
	AST2150 IPMI Feature	IPMI 2.0 compliant baseboard management controller (BMC) BIOS update USB 2.0 virtual hub
	AST2150 iKVM Feature	24-bit high quality video compression Dual 10/100 Mb/s MAC interfaces
BIOS	Brand / ROM size	AMI / 8MB
	Feature	Plug and Play (PnP)/ PCI 2.3 WfM2.0 / SMBIOS2.3 / PXE boot ACPI 1.0 power management Power on mode after power recovery User-configurable H/W monitoring Auto-configurable of hard disk types Multiple boot options
Form Factor	Form Factor	ATX
	Board Dimension	12"x9.6" (304x244mm)
Operating System	OS supported list	Please refer to our OS supported list.
	Regulation	FCC (DoC) Class B CE (DoC) Yes
Operating Environment	Operating Temp.	10° C ~ 35° C (41° F~ 95° F)
	Non-operating Temp.	- 40° C ~ 70° C (-40° F ~ 158° F)
Humidity	Humidity	Operating Relative Humidity: 15% to 90% (non-condensing) Non-operating Relative Humidity: 10% to 95% (non-condensing)
	RoHS	RoHS 6/6 Compliant Yes
ErP/EuP	Version 5.0	Support

(Specifications are subject to change without notice. Items pictured may only be representative.)

MITAC INTERNATIONAL CORP.
TYAN Business Unit

USA
Tel: +1-510-651-8868
Fax: +1-510-651-7688

Taiwan
Tel: +886-2-2652-5888
Fax: +886-2-2652-5805

Japan
Tel: +81-3-3769-8311
Fax: +81-3-3769-8328

Europe
Sales: +32 2456 1721
Technical Support: +32 2456 1722

China
Shanghai Tel: +86-21-61431188 Ext 1366
China Tel: +86-010-62555015 Ext 8302