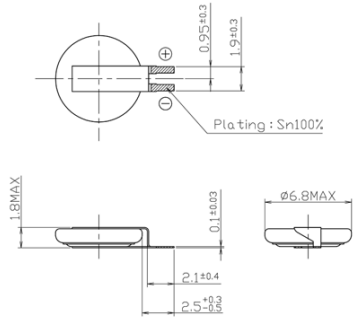


Coin Type Polyacene Capacitors

PAS614L-VL3



■ Features

- Item Summary
3.3V, 90 μ Ah(Measured between 3.3V-2.0V), 0.25F, 80 Ω
- Lifecycle Stage
Mass Production
- Standard packaging quantity (minimum)
Tray 1000pcs

■ Products characteristics table

Temperature Range	-25 to +60°C
Maximum Usable Voltage	3.3V
Nominal Capacity	90 μ Ah(Measured between 3.3V-2.0V) 0.25F
Internal Resistance	80 Ω
Initial Capacitance	- 0.25F \pm 20%
Initial Internal Resistance	Less than 300 Ω
RoHS Compliance	Yes
Halogen Free	Yes
Soldering Method	Manual

2015.06.01

The data is reference only. Electrical characteristics vary depending on environment or measurement condition.
 TAIYO YUDEN reserves the right to make change to the Date at any time without notice.
 Before making final selection, please check product specification.