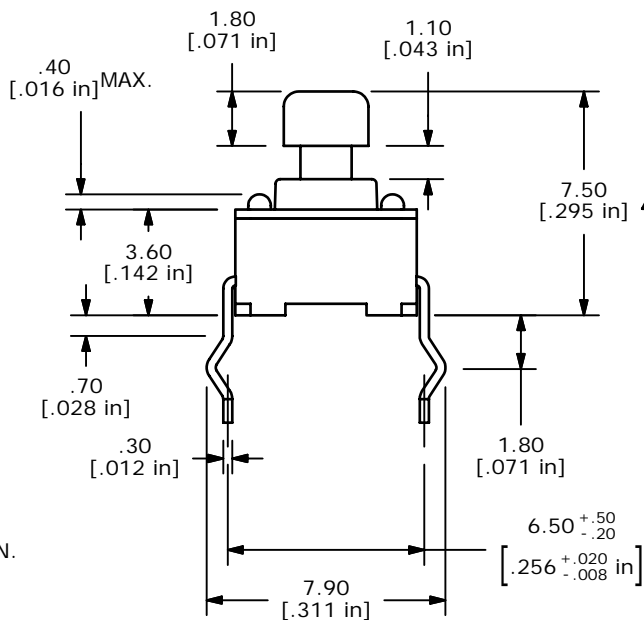


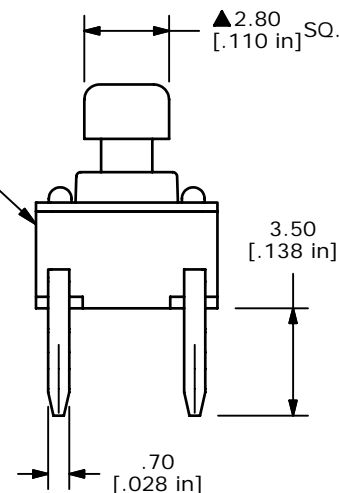
CIRCUIT: SPST

NOTES:

1. ALL DIMENSIONS IN MM [INCH]
2. TERMINAL NUMBERS FOR REF. ONLY
3. TOLERANCE: X.X=±0.4
X.XX=±0.25
4. RATING: 50mA @ 12VDC
5. TRAVEL: 0.25 +0.2/-0.1
- ▲ 6. OPERATING FORCE: 160±50gF
7. ELECTRICAL LIFE: 100,000 CYCLES MIN.
8. CONTACT RESISTANCE: 100mΩ MAX.
9. CONTACT MATERIAL: GOLD
10. ▲ DENOTES CRITICAL PARAMETER
11. 2002/95/EC (ROHS) COMPLIANT



USE GOLD DOME
P990005



REV	PCR NO	DESCRIPTION	DATE	BY
E	16433	CLEANED UP DWG.	9/7/06	BO
D	16090	ADD GOLD DOME NOTE	6/5/06	CT
C	15719	REVISE & REDRAWN (UPDATE NOTES)	1/31/06	PH



TITLE TL1105SPF160R				
SCALE	DATE	DR	DWG	REV
4:1	9/7/2006	BO	P010204	E

THE INFORMATION CONTAINED IN THIS DOCUMENT IS PROPRIETARY TO E-SWITCH AND IS NOT TO BE COPIED OR TRANSFERRED