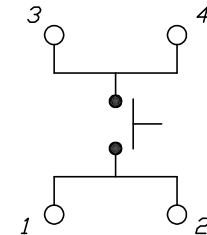
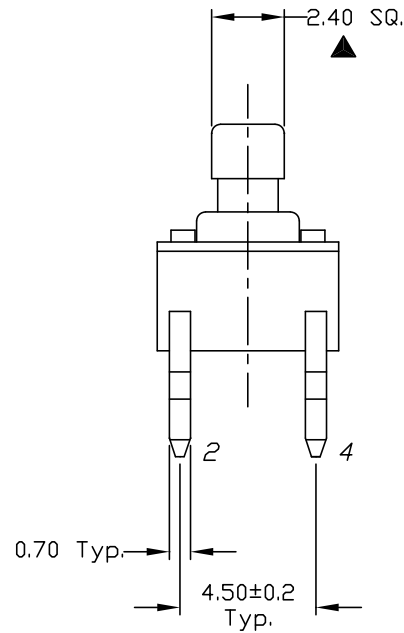
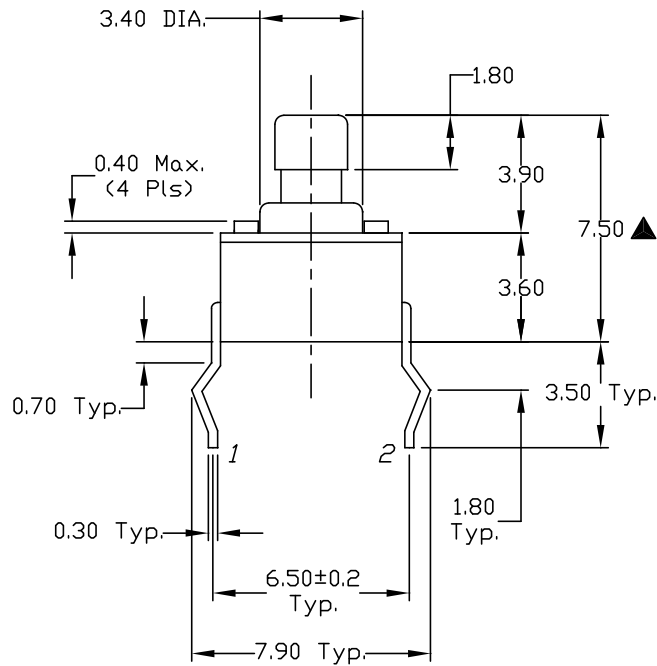


RECOMMEND P.C.B. LAYOUT

NOTES:

1. ALL DIMENSIONS IN MM
2. GENERAL TOLERANCE: 0.0=±0.4  
0.00=±0.25
3. TERM. NOS. FOR REF. ONLY
4. RATING: 50mA, @12V DC
5. TRAVEL: 0.25±0.1mm
- ▲ 6. OPERATING FORCE: 160±50gf
7. CONTACT RESISTANCE: 100 milliohms Max.
8. ELECTRICAL LIFE: 100,000 CYCLES MIN.
- ▲ 9. DESIGNATE MAJOR DIMENSIONS
- ▲ 10. MATERIAL: HOUSING: NYLON 6/6 UL94-HB  
STEM: BLK. PPS. UL94-V0



CIRCUIT: SPST  
CONTACT CONFIGURATION

**E-SWITCH**<sup>®</sup>

TITLE

TL 1105 T F160 Q

E	10080	REVISED & REDRAWN	1/14/99	
REV.	ECN No.	DESCRIPTION	DATE	CHKD

THE INFORMATION CONTAINED IN THIS DOCUMENT IS PROPRIETARY TO E-SWITCH AND IS NOT TO BE COPIED OR TRANSFERRED

SCALE

4:1

DATE

8/28/95

DR

MM

DWG

P010200

REV

E