

6

5

4

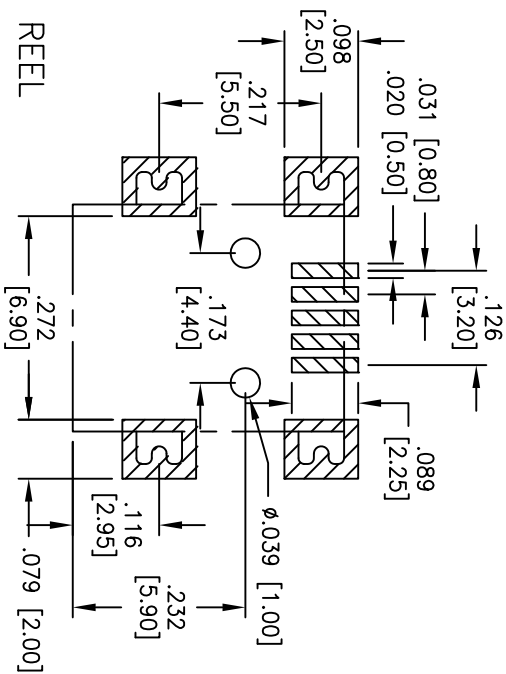
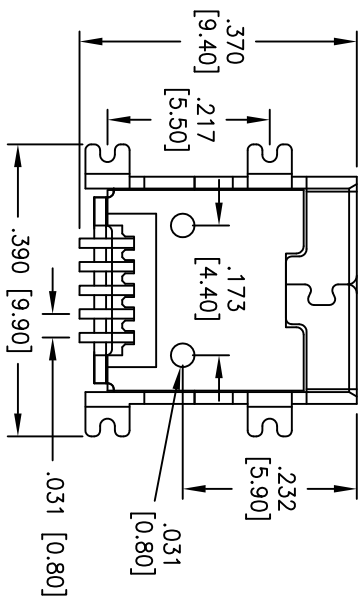
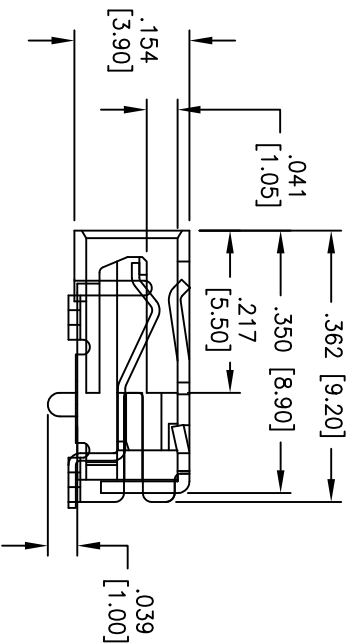
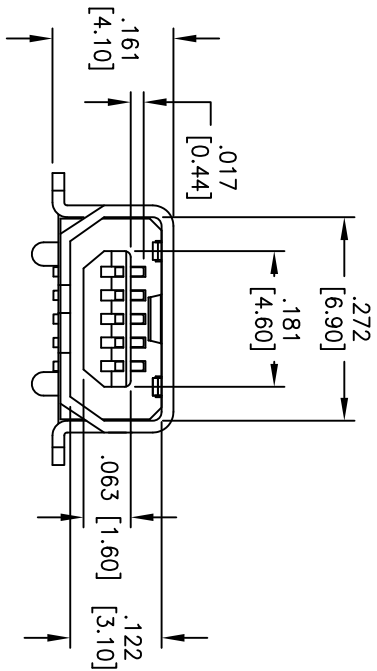
3

2

1

APPROVED: _____
 DATE: _____ TITLE: _____

Rev	AWO #	Description	Date	Appr
-		RELEASED	4/21/10	
A		REVISED DIM.	12/16/10	



PACKAGED ON TAPE & REEL

RECOMMENDED PCB LAYOUT

SPECIFICATIONS:

- Material: Insulator: Hi-Temp Thermoplastic, rated UL94V-0
- Insulator color: Black
- Contacts: Phosphor Bronze
- Shell: Phosphor Bronze, Nickel plated
- Plating: Gold Flash over Nickel underplate overall
- Electrical: Current rating: 1 Amp max.
- Contact resistance: 30 mohms max.
- Insulation resistance: 1000 Mohms min. @ 500 VDC
- Dielectric withstanding voltage: 500 VAC for 1 minute
- Temperature Rating: Operating temperature: -55°C to +105°C
- Environmental: Lead free, RoHS compliant.
- Recommended soldering temp: 260°C for 5 sec.



UNLESS OTHERWISE SPECIFIED ALL DIMENSIONS ARE INCHES [MM] TOLERANCES: EXCEPT AS NOTED	
X .XX ± .10	ØXX ± .015
.XX ± .020	ØXXX ± .010
.XXX ± .015	ØXXX ± .010
APPROVALS	DATE
DRAWN DY	4/21/10
CHECKED	
APPROVED	

ADAM TECH
 909 Rahway Avenue, Union, NJ 07083
 Phone: 908-687-5000 Fax: 908-687-5710

TITLE: MINI USB, TYPE AB, SINGLE PORT
 RIGHT ANGLE, TRUE SMT

SIZE PART NO. MUSB-AB1-S-RA-TSMT-T/R
 REF: S00126T SCALE: NTS SHEET 1 OF 1

6

5

4

3

2

1