

# MTG 10 Watt DC/DC Converter

## MTG 10 Watt DC-DC converter

- Rated 10W OUTPUT
- DIP24 PACKAGE
- SINGLE/DUAL OUTPUT
- WIDE INPUT 2:1 & 4:1

## ELECTRICAL SPECIFICATIONS

All specifications tested typically @ 25°C, humidity<7%, nominal input and rated output unless otherwise noted

Items:	Test conditions	Min	Typ.	Max
Operating temperature		-40°C		+85°C
Storage temperature		-55°C		+125°C
Humidity				90%
Efficiency		72%	82%	
Switching frequency			400 KHZ	

## OUTPUT SPECIFICATIONS

Items:		Min	Typ.	Max
Output voltage accuracy	At nominal load and nominal voltage			±5%
Output power				10W
Line regulation				0.5%
Load regulation	From 20% to full load			2%
Ripple and noise	20 MHz BW			100 mV p-p
Minimum load				10%

## INPUT SPECIFICATIONS

Items:		Min	Typ.	Max
Input voltage range	2:1 - 12V	9	12	18
	2:1 - 24V	18	24	36
	4:1 - 24V	9	24	36

## OTHER SPECIFICATIONS

Items:	Value
Case material	Non-conductive metal casing
MTBF	>1,000,000 HRS

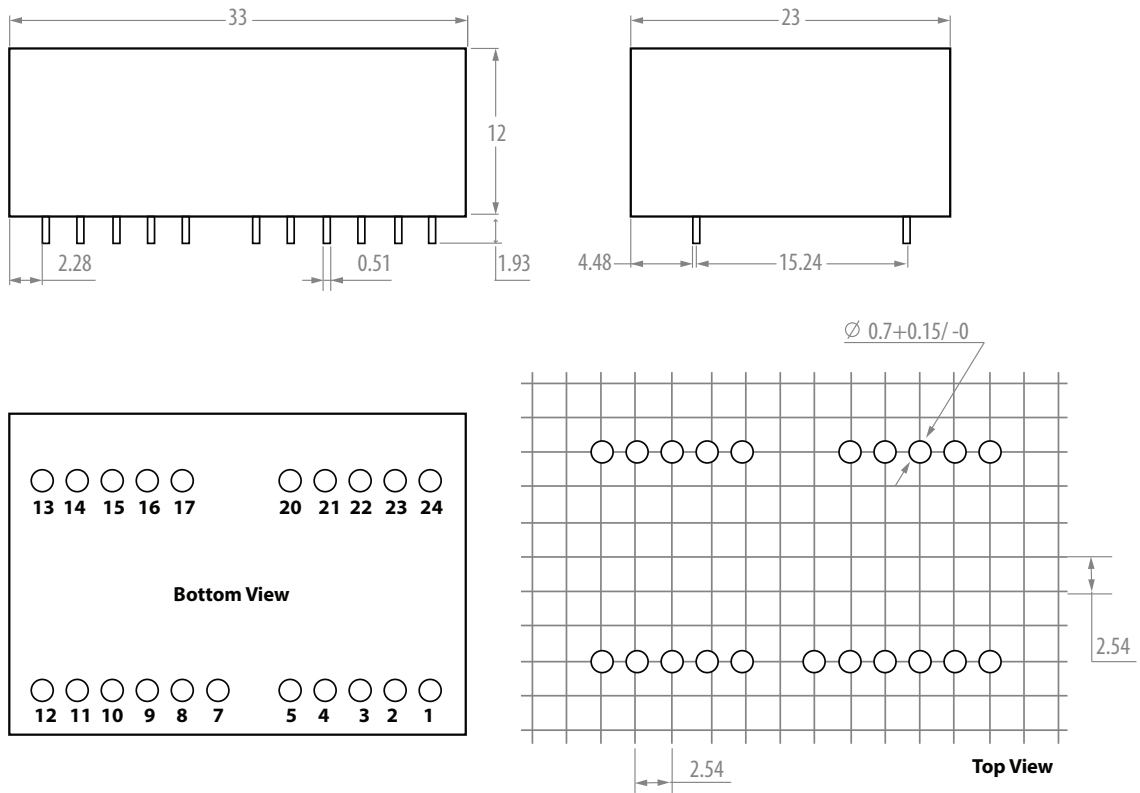
## PRODUCT LIST

Part number	Input voltage range (VDC)	Output voltage (VDC)	Max Current (mA)	Efficiency (%Typ.)	Capacitor Load Max (uF)
MTGx10N-1205	9-18	5	2060	75	2200
MTGx10N-2405	18-36	5	2040	81	2200
MTGx10W-2405	9-36	5	1950	72	1000
MTGx10N-1209	9-18	9	1120	78	6800
MTGx10N-2409	18-36	9	1100	72	2200
MTGx10W-2409	9-36	9	1205	74	2200
MTGx10N-1212	9-18	12	820	75	6800
MTGx10N-2412	18-36	12	840	83	6800
MTGx10W-2412	9-36	12	860	84	2200

Output selection - replace 'x' with '-E' for single output, 'P' for dual output.

# MTG 10 Watt DC/DC Converter

## Package and Pinning



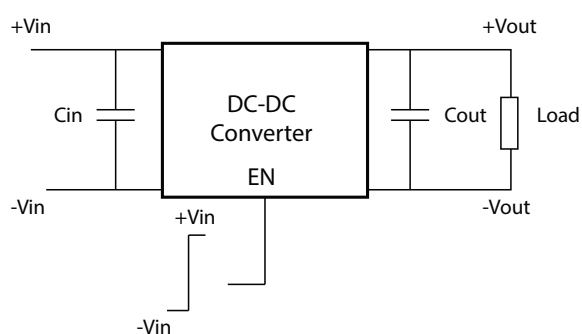
Pin #	Single	Dual
1	N.C	N.C
2	N.C	N.C
3	N.C	N.C
4	N.C	N.C
5	N.C	N.C
7	N.C	N.C
8	N.C	N.C
9	-Vin	-Vin
10	-Vin	-Vin
11	+Vin	+Vin
12	+Vin	+Vin
13	N.C	N.C
14	N.C	N.C
15	+Vout	+Vout
16	-Vout	COM
17	EN	EN
20	N.C	N.C
21	N.C	COM
22	N.C	-Vout
23	N.C	N.C
24	N.C	N.C

The product information and specifications are subject to change without prior notice.

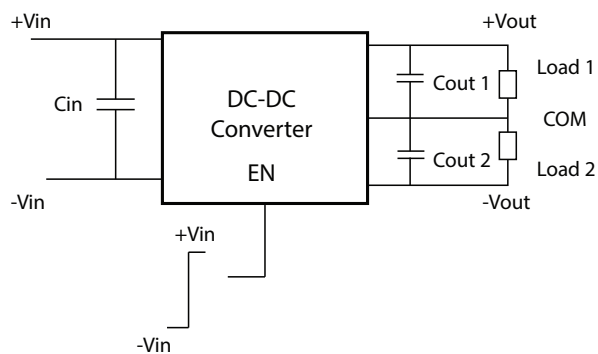
# MTG 10 Watt DC/DC Converter

## Typical Connection

### Single output



### Dual output



Typical component selection:  $C_{in} > 5\mu F$ ,  $C_{out} > 10\mu F$ .

Connect 'EN' pin to GND to disable the output.

Connect 'EN' pin to  $+V_{in}$  or leave unconnected to enable the output.