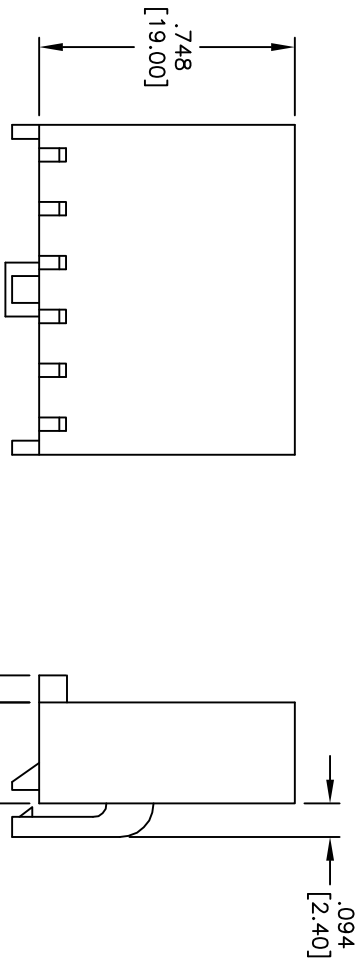
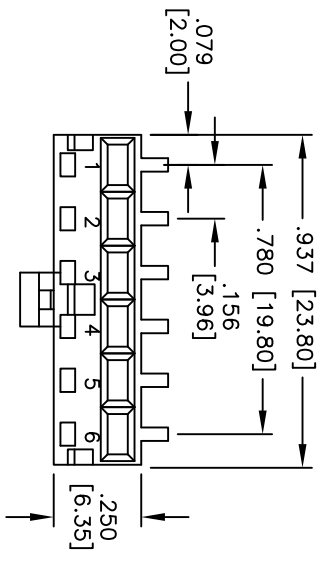


Rev	AWO #	Description	Date	Appr
-		RELEASED	4/20/10	

APPROVED: _____
 DATE: _____ TITLE: _____



WITH KEYING HALF KEYING WITHOUT KEYING
 (ONLY FOR MTG-06-04) (FOR OTHER P/N)



ADAM PART NO.	KEYING REQD. AT CIRCUIT POSITIONS					
	1	2	3	4	5	6
MTG-06-01	YES	YES	YES	YES	YES	YES
MTG-06-02	YES	NO	NO	NO	NO	NO
MTG-06-03	NO	NO	NO	YES	NO	NO
MTG-06-04	YES	NO	YES	YES	NO	NO
MTG-06-07	NO	YES	NO	NO	NO	NO
MTG-06-08	NO	NO	YES	NO	NO	NO
MTG-06-09	NO	NO	NO	NO	YES	NO
MTG-06-10	NO	NO	NO	NO	NO	YES

SPECIFICATIONS:

Material: Nylon 66, rated UL 94V-2
 Insulator color: Natural
 Electrical:
 Operating voltage: 250 VAC max.
 Current rating: 5 Amps max.
 Contact resistance: 20 mohms max.
 Insulation resistance: 1,000 Mohms min.
 Dielectric withstanding voltage: 1,500 VAC for 1 minute
 Temperature Rating:
 Operating temperature: -40°C to +105°C
 Environmental:
 Lead free, RoHS compliant



ADAM TECH

909 Rahway Avenue, Union, NJ 07083
 Phone: 908-687-5000 Fax: 908-687-5710

TITLE: POWER LATCH CRIMP HOUSING
 .156 [3.96] PITCH

UNLESS OTHERWISE SPECIFIED ALL DIMENSIONS ARE INCHES [MM]		TOLERANCES: EXCEPT AS NOTED INCHES		HOLDERS	
.X	± .10	ØX	± .10		
.XX	± .020	ØXXX	± .015		
.XXX	± .015	ØXXX	± .010		
APPROVALS		DATE			
DRAWN	DY	4/20/10			
CHECKED					
APPROVED					
SIZE	PART NO.	MTG-06-XX		REV.	
REF: S000QT	SCALE: NTS	SHEET 1 OF 1			