

COM-656E

Wide-Range Temperature Intel® Atom™ D2550 COM Express Compact Type 6 CPU Module



Features

- **Fanless Design**
- Soldered Onboard Intel® Atom™ D2550 Processor
- Integrated Gigabit Ethernet
- Single Channel 24-bit LVDS, Analog RGB, and 2 x DDI Ports
- **Wide Range Operating Temp.:** -40 ~ 85°C

System

CPU	Intel® Atom™ D2550 1.86GHz processor
Memory	1 x DDR3 SO-DIMM socket, supporting SDRAM up to 4GB
Chipset	Intel® PCH NM10
BIOS	AMI UEFI BIOS
Watchdog Timer	1~255 levels reset

I/O

USB Port	8 x USB 2.0 ports
Digital I/O	8-bit programmable Digital Input/Output
Expansion Bus	6 x PCIe x1 lanes SPI and LPC (Low Pin Count) interfaces
Storage	2 x Serial ATA port with 300MB/s HDD transfer rate
Ethernet Chipset	1 x Intel® 82583V PCIe GbE controller
Audio	HD Audio Link

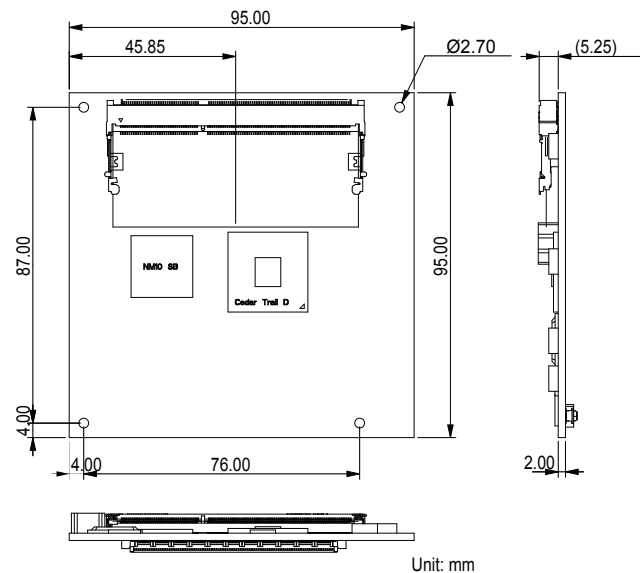
Display

Graphics Chipset	Integrated Intel® Graphics Media Accelerator 3650
Graphics Interface	LCD: Single Channel 24-bit LVDS 2 x DDI ports Support Analog RGB

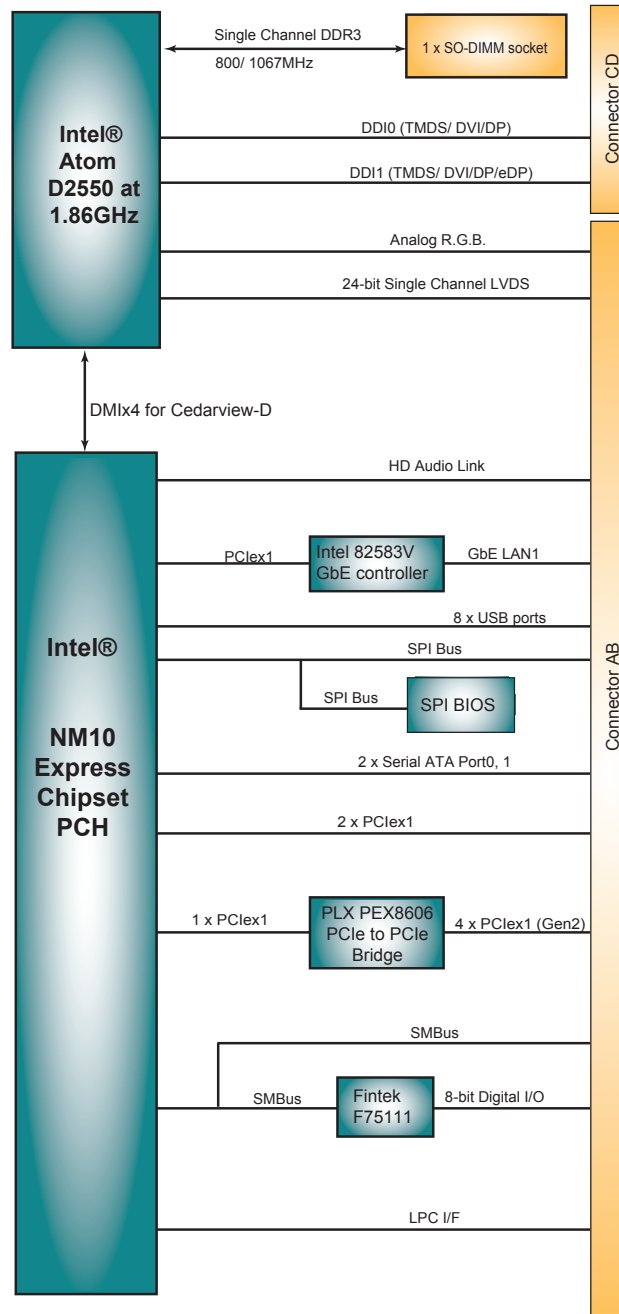
Mechanical & Environmental

Power Requirement	+12V, 5VSB
Power Consumption	1.37A@+12V (Typical)
Operating Temp.	-40 ~ 85°C (-40 ~ 185°F)
Operating Humidity	10 ~ 95% @ 85°C (non-condensing)
Dimension (L x W)	95 x 95 mm (3.7" x 3.7")

Dimensions



Block Diagram



Ordering Information

COM-656E Intel® Atom™ D2550 1.86GHz COM express Compact CPU module

Optional Accessories

HS-250C-F1 Heat spreader (95x95x18mm)

HS-0000-W4 Universal evaluation heatsink kit w/ thermal pad (dimension: 125x95x22mm, only used on a flat type heatspreader)

PBE-1702 COM Express type 6 evaluation carrier board (ATX form factor)

See page 64

CBK-04-1702-00 Cable kit

- 1 x USB cable
- 2 x COM port cables
- 1 x SATA cable