

Functional

- 4 Regulated Voltages are provided
 - Microprocessor Core (1.3V to 3.5V)
 - AGP Bus (1.5V or 3.3V)
 - Memory (1.8V)
 - GTL Bus (1.5V)
- Linear Controllers Drives with both MOSFET and Bipolar Series Pass Transistors
- Fixed or Externally Resistor-Adjustable Linear Outputs (FIX Pin)
- Simple Single-Loop Control Design
 - Voltage-Mode PWM Control
- Fast PWM Converter Transient Response
 - High-Bandwidth Error Amplifier
 - Full 0% to 100% Duty Ratio
- Excellent Output Voltage Regulation
 - Core PWM Output: $\pm 1\%$ Over Temperature
 - Other Outputs: $\pm 3\%$ Over Temperature
- TTL-Compatible 5- Bit DAC Microprocessor Core Output Voltage Selection
 - Wide Range - $1.3V_{DC}$ to $3.5 V_{DC}$
- Power-Good Output Voltage Monitor
- Over-Voltage and Over-Current Fault Monitors
 - Switching Regulator Does Not Require Extra Current Sensing Element, Uses MOSFET's $r_{DS(ON)}$
- Small Converter Size
 - Constant Frequency Operation
 - 200kHz Free-Running Oscillator; Programmable From 50kHz to Over 1MHz

Applications

- Motherboard Power Regulation for Computers

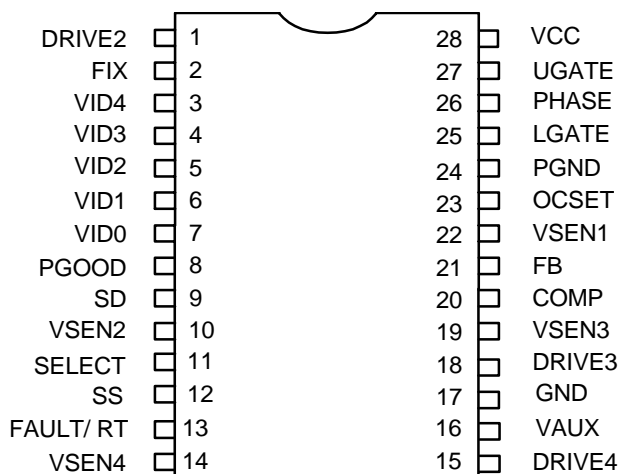
General Description

The APW6021 provides the power control and protection for four output voltages in high-performance, graphics intensive microprocessor and computer applications. The IC integrates voltage-mode PWM controller and three linear controllers, as well as the monitoring and protection functions into a 28-pin SOIC package. The PWM controller regulates the microprocessor core voltage with a synchronous-rectified buck converter. The linear controllers regulate the computer system's AGP 1.5V or 3.3V bus power, the 1.5V GTL bus power, and the 1.8V power for the North/South Bridge core voltage and/or cache memory circuits. The APW6021 includes an Intel-compatible, TTL 5-input digital-to-analog converter (DAC) that adjusts the core PWM output voltage from $1.3 V_{DC}$ to $2.05 V_{DC}$ in 0.05V steps and from $2.1 V_{DC}$ to $3.5 V_{DC}$ in 0.1V increments. The precision reference and voltage-mode control provide $\pm 1\%$ static regulation. The AGP bus power linear controller's output (V_{OUT2}) is user-selectable, through a TTL-compatible signal applied at the SELECT pin, for levels of 1.5V or 3.3V with $\pm 3\%$ accuracy. Based on the status of the FIX pin, the other two linear regulators provide either fixed output voltages of $1.5V \pm 3\%$ (V_{OUT3}) and $1.8V \pm 3\%$ (V_{OUT4}), or user-adjustable by means of an external resistor divider. All linear controllers can employ either N-channel MOSFETs or bipolar NPNs for the pass transistor.

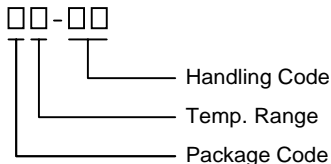
The APW6021 monitors all the output voltages. A single Power Good signal is issued when the core is within $\pm 10\%$ of the DAC setting and all other outputs are above their under-voltage levels. Additional built-in over-voltage protection for the core output uses the lower MOSFET to prevent output voltages above 115% of the DAC setting. The PWM controller's over-current function monitors the output current by using the voltage drop across the upper MOSFET's $r_{DS(ON)}$.

ANPEC reserves the right to make changes to improve reliability or manufacturability without notice, and advise customers to obtain the latest version of relevant information to verify before placing orders.

Pin Description



Ordering Information

<p>APW6021 </p>	<p>Package Code K : SOP - 28 Temp. Range C : 0 to 70°C Handling Code TU : Tube TR : Tape & Reel</p>
---	---

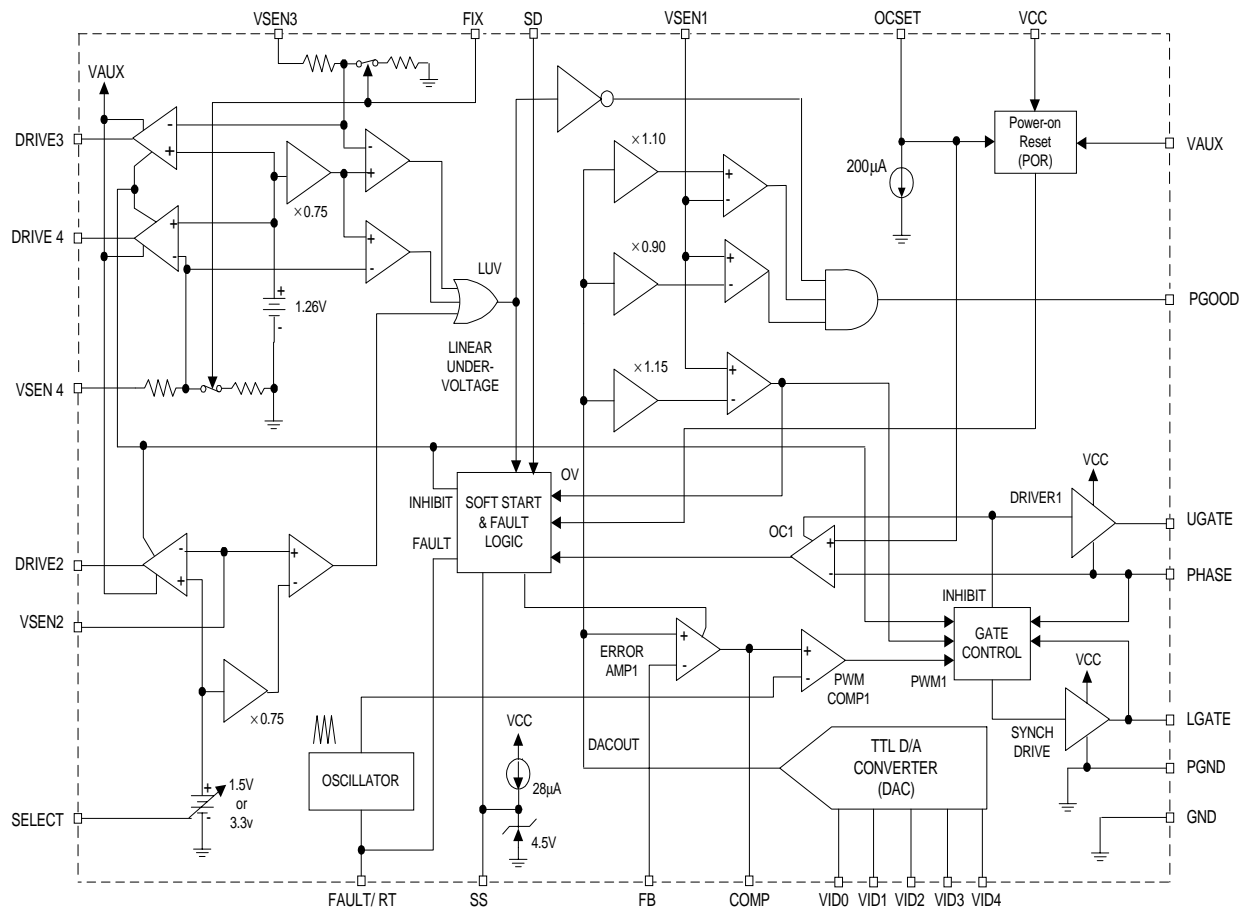
Absolute Maximum Ratings

Symbol	Parameter	Rating	Unit
V_{CC}	Supply Voltage	15	V
$V_{BOOT} - V_{PHASE}$	Boot Voltage	15	V
V_I, V_O	Input , Output or I/O Voltage	GND -0.3 V to $V_{CC} +0.3$	V
T_A	Operating Ambient Temperature Range	0 to 70	°C
T_J	Junction Temperature Range	0 to 125	°C
T_{STG}	Storage Temperature Range	-65 to +150	°C
T_S	Soldering Temperature	300 ,10 seconds	°C

Thermal Characteristics

Symbol	Parameter	Value	Unit
$R_{\theta JA}$	Thermal Resistance in Free Air		
	SOIC	75	$^{\circ}C/W$
	SOIC (with 3in ² of Copper)	65	

Block Diagram



Electrical Characteristics

(Recommended operating conditions, Unless otherwise noted) Refer to Block and Simplified Power System Diagrams, and Typical Application Schematic

Symbol	Parameter	Test Conditions	APW6021			Unit
			Min.	Typ.	Max.	
V_{CC} Supply Current						
I _{CC}	Nominal Supply Current	UGATE, LGATE, DRIVE2, DRIVE3, and DRIVE4 open		9		mA
Power-on Reset						
	Rising VCC Threshold	Vocset=4.5V			10.4	V
	Falling VCC Threshold	Vocset=4.5V	8.2			V
	Rising VAUX Threshold	Vocset=4.5V		2.5		V
	VAUX Threshold Hysteresis	Vocset=4.5V		0.5		V
	Rising V _{OCSET} Threshold			1.26		V
Oscillator						
F _{OCs}	Free Running Frequency	RT= Open	185	200	215	kHz
ΔV _{OSC}	Ramp Amplitude	RT= Open		1.9		V _{P-P}
DAC and Bandgap Reference						
	DAC(VID0-VID4) Input Low Voltage				0.8	V
	DAC(VID0-VID4) Input High Voltage		2.0		0.8	V
	DACOUT Voltage accuracy		-1.0		+1.0	%
V _{BG}	Bandgap Reference Voltage			1.265		V
	Bandgap Reference Tolerance		-2.5		+2.5	%
Linear Regulators (OUT2, OUT3, and OUT4)						
	Regulation (All Linear)			3		%
VREG ₂	VSEN2 Regulation Voltage	Select < 0.8V		1.5		V
VREG ₂	VSEN2 Regulation Voltage	Select > 2.0V		3.3		V
VREG ₃	VSEN3 Regulation Voltage			1.5		V
VREG ₄	VSEN4 Regulation Voltage			1.8		V
VREN _{UV}	Under-Voltage Level (VSEN/VREG)	VSEN Rising		75		%
	Under-Voltage Hysteresis (VSEN/VREG)	VSEN Falling		7		%
	Output Drive Current (All Liners)	VAUX-V _{DRIVE} >0.6V	20	40		mA

Electrical Characteristics Cont.

Symbol	Parameter	Test Conditions	APW6021			Unit
			Min.	Typ.	Max.	
Synchronous PWM Controller Error Amplifier						
	DC Gain			88		dB
GBWP	Gain-Bandwidth Product			15		MHz
SR	Slew Rate	COMP=10pF		6		V/μs
PWM Controller Gate Driver						
I _{UGATE}	UGATE Source	V _{CC} =12V, V _{UGATE} =6V		1		A
R _{UGATE}	UGATE Sink	V _{UGATE1-PHASE} =1V			3.5	Ω
I _{LGATE}	LGATE Source	V _{CC} =12V, V _{LGATE} =1V		1		A
R _{LGATE}	LGATE Sink	V _{LGATE} =1V			3	Ω
Protection						
	VSEN1 Over-Voltage (VSEN1/DACOUT)	VSEN1 Rising		115	120	%
I _{OVP}	FAULT Sourcing Current	V _{FAULT/RT} =2.0V		8.5		mA
I _{OCSET}	OCSET1 Current Source	V _{OCSET} =4.5V _{DC}	170	200	230	μA
I _{SS}	Soft Start Current			28		μA
Power Good						
	VSEN1 Upper Threshold (VSEN1/DACOUT)	VSEN1 Rising	108		110	%
	VSEN1 Under Voltage (VSEN1/DACOUT)	VSEN1 Rising	92		94	%
	VSEN1 Hysteresis (VSEN1/DACOUT)	Upper /Lower Threshold		2		%
V _{PGOOD}	PGOOD Voltage Low	I _{PGOOD} =-4mA			0.8	V

Functional Pin Description

DRIVE2 (Pin 1)

Connect this pin to the gate of an external MOSFET. This pin provides the drive for the AGP regulator's pass transistor.

FIX (Pin 2)

Grounding this pin bypasses the internal resistor dividers that set the output voltage of the 1.5V and 1.8V linear regulators. This way, the output voltage of the two regulators can be adjusted from 1.26V up to the input voltage (+3.3V or +5V) by way of an exter-

nal resistor divider connected at the corresponding VSEN pin. The new output voltage set by the external resistor divider can be determined using the following formula:

$$V_{OUT} = 1.265V \times [1 + R_{OUT} / R_{GND}]$$

where R_{OUT} is the resistor connected from VSEN to the output of the regulator, and R_{GND} is the resistor connected from VSEN to ground. Left open, the FIX pin is pulled high, enabling fixed output voltage operation.

Functional Pin Description Cont.

VID4, VID3, VID2, VID1, VID0 (Pins 3, 4, 5, 6 and 7)

VID0-4 are the TTL-compatible input pins to the 5-bit DAC. The logic states of these five pins program the internal voltage reference (DACOUT). The level of DACOUT sets the microprocessor core converter output voltage, as well as the corresponding PGOOD and OVP thresholds.

PGOOD (Pin 8)

PGOOD is an open collector output used to indicate the status of the output voltages. This pin is pulled low when the synchronous regulator output is not within $\pm 10\%$ of the DACOUT reference voltage or when any of the other outputs are below their under-voltage thresholds.

The PGOOD output is open for "11111" VID code.

SD (Pin 9)

This pin shuts down all the outputs. A TTL-compatible, logic level high signal applied at this pin immediately discharges the soft-start capacitor, disabling all the outputs. Dedicated internal circuitry insures the core output voltage does not go negative during this process. When re-enabled, the IC undergoes a new soft-start cycle. Left open, this pin is pulled low by an internal pull-down resistor, enabling operation.

VSEN2 (Pin 10)

Connect this pin to the output of the AGP linear regulator. The voltage at this pin is regulated to the level predetermined by the logic-level status of the SELECT pin. This pin is also monitored for under-voltage events.

SELECT (Pin 11)

This pin determines the output voltage of the AGP bus linear regulator. A low TTL input sets the output voltage to 1.5V, while a high input sets the output voltage to 3.3V.

SS (Pin 12)

Connect a capacitor from this pin to ground. This capacitor, along with an internal 28 μ A current source, sets the soft-start interval of the converter.

FAULT / RT (Pin 13)

This pin provides oscillator switching frequency adjustment. By placing a resistor (R_T) from this pin to GND, the nominal 200kHz switching frequency is increased according to the following equation:

$$F_s = 200\text{kHz} + 5 \times 10^6 / R_T \text{ (k}\Omega\text{)} \quad (R_T \text{ to GND})$$

Conversely, connecting a resistor from this pin to VCC reduces the switching frequency according to the following equation:

$$F_s = 200\text{kHz} + 4 \times 10^7 / R_T \text{ (k}\Omega\text{)} \quad (R_T \text{ to 12V})$$

Nominally, the voltage at this pin is 1.26V. In the event of an over-voltage or over-current condition, this pin is internally pulled to VCC.

VSEN4 (Pin 14)

Connect this pin to the output of the linear 1.8V regulator. This pin is monitored for undervoltage events.

DRIVE4 (Pin 15)

Connect this pin to the gate of an external MOSFET. This pin provides the drive for the 1.8V regulator's pass transistor.

VAUX (Pin 16)

This pin provides boost current for the linear regulators' output drives in the event bipolar NPN transistors (instead of N-channel MOSFETs) are employed as pass elements. The voltage at this pin is monitored for power-on reset (POR) purposes.

GND (Pin 17)

Signal ground for the IC. All voltage levels are measured with respect to this pin.

Functional Pin Description Cont.

DRIVE3 (Pin 18)

Connect this pin to the gate of an external MOSFET. This pin provides the drive for the 1.5V regulator's pass transistor.

VSEN3 (Pin 19)

Connect this pin to the output of the 1.5V linear regulator. This pin is monitored for under-voltage events.

COMP and FB (Pin 20, and 21)

COMP and FB are the available external pins of the PWM converter error amplifier. The FB pin is the inverting input of the error amplifier. Similarly, the COMP pin is the error amplifier output. These pins are used to compensate the voltage-mode control feedback loop of the synchronous PWM converter.

VSEN1 (Pin 22)

This pin is connected to the PWM converter's output voltage. The PGOOD and OVP comparator circuits use this signal to report output voltage status and for over-voltage protection.

OCSET (Pin 23)

Connect a resistor from this pin to the drain of the respective upper MOSFET. This resistor, an internal 200 μ A current source, and the upper MOSFET's on-resistance set the converter over-current trip point. An over-current trip cycles the soft-start function.

The voltage at this pin is monitored for power-on reset (POR) purposes and pulling this pin low with an open drain device will shutdown the IC.

PGND (Pin 24)

This is the power ground connection. Tie the synchronous PWM converter's lower MOSFET source to this pin.

LGATE (Pin 25)

Connect LGATE to the PWM converter's lower MOSFET gate. This pin provides the gate drive for the lower MOSFET.

PHASE (Pin 26)

Connect the PHASE pin to the PWM converter's upper MOSFET source. This pin represents the gate drive return current path and is used to monitor the voltage drop across the upper MOSFET for over-current protection.

UGATE (Pin 27)

Connect UGATE pin to the PWM converter's upper MOSFET gate. This pin provides the gate drive for the upper MOSFET.

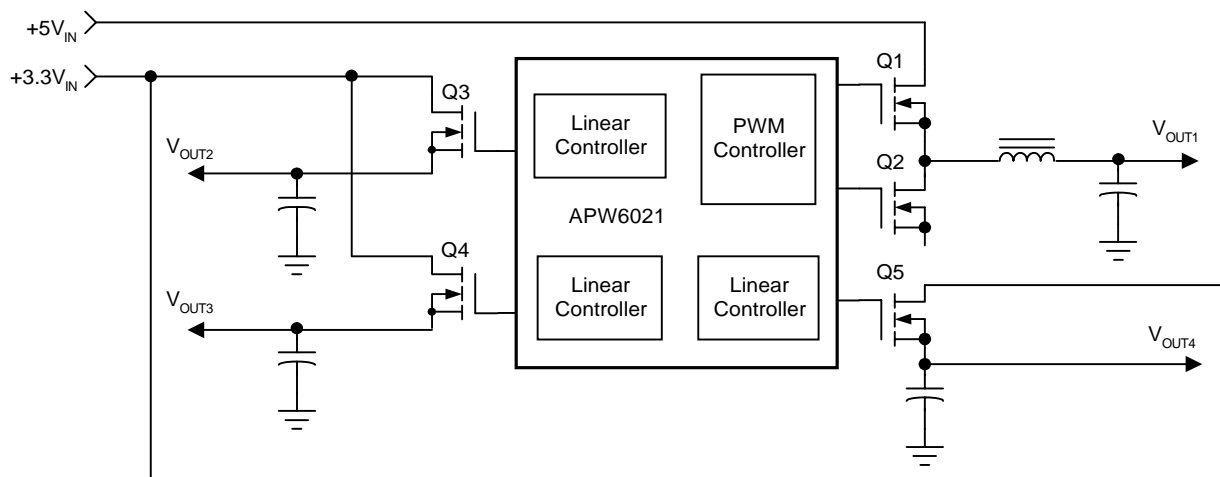
VCC (Pin 28)

Provide a 12V bias supply for the IC to this pin. This pin also provides the gate bias charge for all the MOSFETs controlled by the IC. The voltage at this pin is monitored for Power-On Reset (POR) purposes.

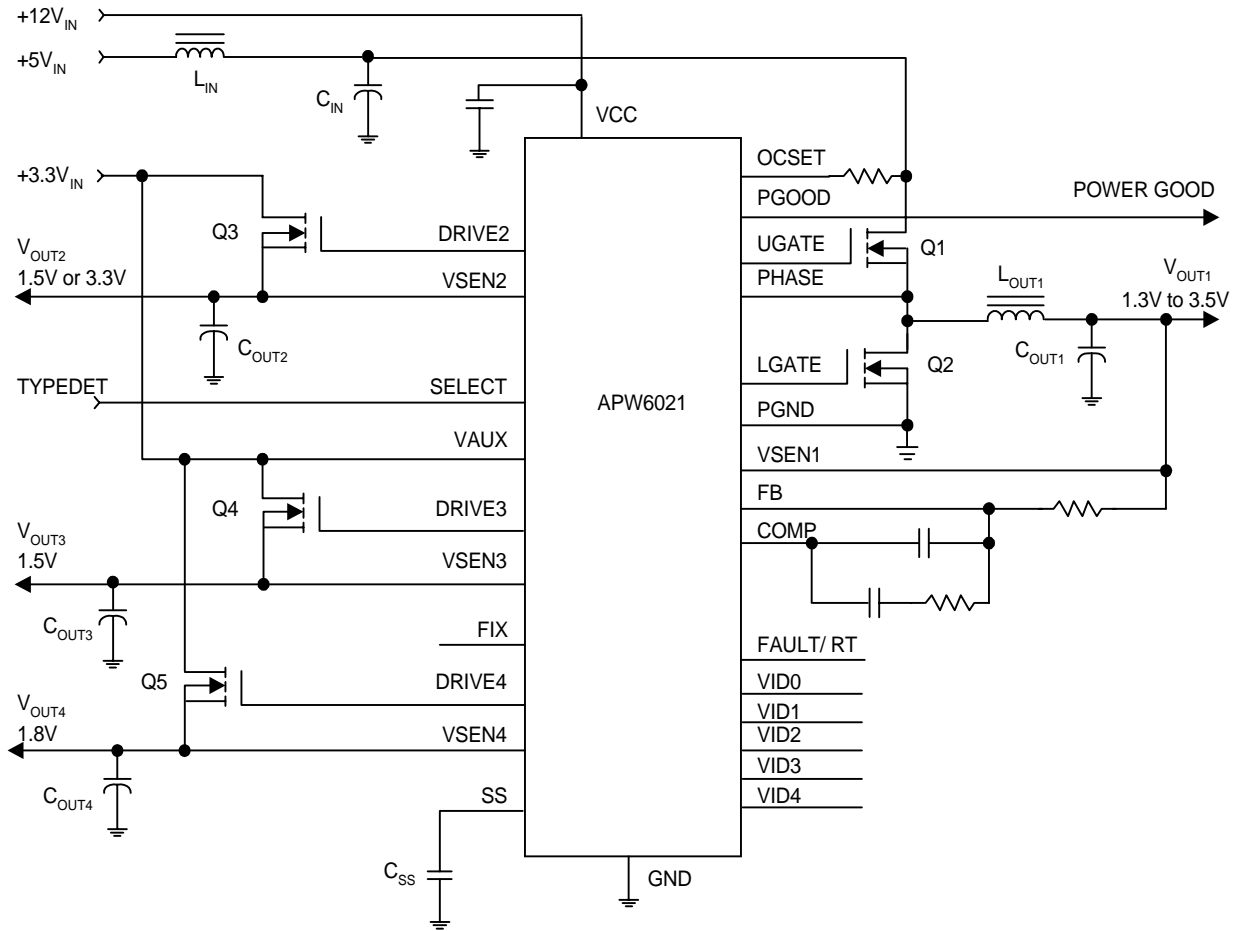
Table 1 Output Voltage Program

Pin Name					Nominal Output Voltage Dacout	Pin Name					Nominal Output Voltage Dacout
VID4	VID3	VID2	VID1	VID0		VID4	VID3	VID2	VID1	VID0	
0	1	1	1	1	1.3	1	1	1	1	1	0
0	1	1	1	0	1.35	1	1	1	1	0	2.1
0	1	1	0	1	1.4	1	1	1	0	1	2.2
0	1	1	0	0	1.45	1	1	1	0	0	2.3
0	1	0	1	1	1.5	1	1	0	1	1	2.4
0	1	0	1	0	1.55	1	1	0	1	0	2.5
0	1	0	0	1	1.6	1	1	0	0	1	2.6
0	1	0	0	0	1.65	1	1	0	0	0	2.7
0	0	1	1	1	1.7	1	0	1	1	1	2.8
0	0	1	1	0	1.75	1	0	1	1	0	2.9
0	0	1	0	1	1.8	1	0	1	0	1	3.0
0	0	1	0	0	1.85	1	0	1	0	0	3.1
0	0	0	1	1	1.90	1	0	0	1	1	3.2
0	0	0	1	0	1.95	1	0	0	1	0	3.3
0	0	0	0	1	2.00	1	0	0	0	1	3.4
0	0	0	0	0	2.05	1	0	0	0	0	3.5

Simplified Power System Diagram

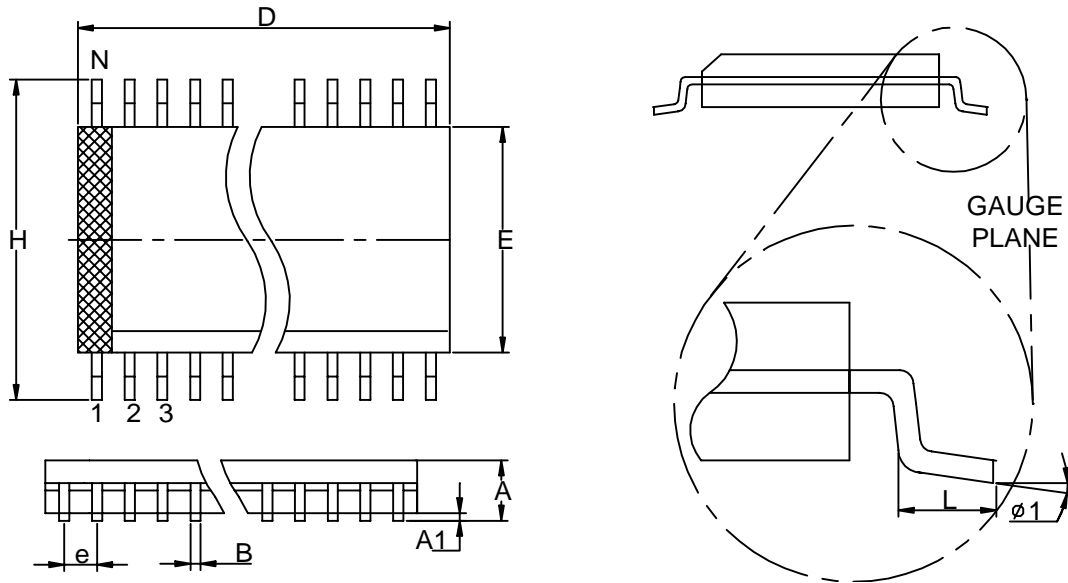


Typical Application



Package Information

SO – 300mil (Reference JEDEC Registration MS-013)



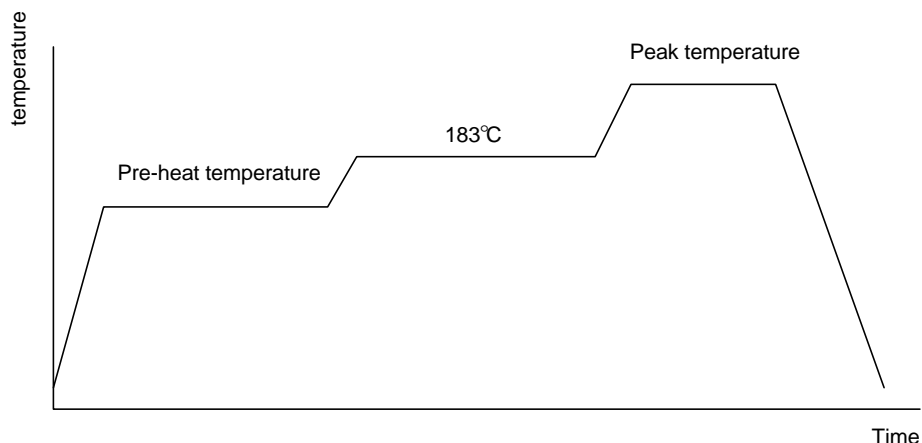
Dim	Millimeters		Variations- D			Dim	Inches		Variations- D		
	Min.	Max.	Variations	Min.	Max.		Min.	Max.	Variations	Min.	Max.
A	2.35	2.65	SO-16	10.10	10.50	A	0.093	0.1043	SO-16	0.398	0.413
A1	0.10	0.30	SO-18	11.35	11.76	A1	0.004	0.0120	SO-18	0.447	0.463
B	0.33	0.51	SO-20	12.60	13	B	0.013	0.020	SO-20	0.496	0.512
D	See variations		SO-24	15.20	15.60	D	See variations		SO-24	0.599	0.614
E	7.40	7.60	SO-28	17.70	18.11	E	0.2914	0.2992	SO-28	0.697	0.713
e	1.27BSC		SO-14	8.80	9.20	e	0.050BSC		SO-14	0.347	0.362
H	10	10.65				H	0.394	0.419			
L	0.40	1.27				L	0.016	0.050			
N	See variations					N	See variations				
φ 1	0°	8°				φ 1	0°	8°			

Physical Specifications

Terminal Material	Solder-Plated Copper (Solder Material : 90/10 or 63/37 SnPb)
Lead Solderability	Meets EIA Specification RS186-91, ANSI/J-STD-002 Category 3.
Packaging	1000 devices per reel

Reflow Condition (IR/ Convection or VPR Reflow)

Reference JEDEC Standard J-STD-020A APRIL 1999



Classification Reflow Profiles

	Convection or IR/ Convection	VPR
Average ramp-up rate(183°C to Peak)	3°C/second max.	10 °C /second max.
Preheat temperature 125 ± 25°C)	120 seconds max.	
Temperature maintained above 183°C	60 ~ 150 seconds	
Time within 5°C of actual peak temperature	10 ~ 20 seconds	60 seconds
Peak temperature range	220 +5/-0°C or 235 +5/-0°C	215~ 219°C or 235 +5/-0°C
Ramp-down rate	6 °C /second max.	10 °C /second max.
Time 25°C to peak temperature	6 minutes max.	

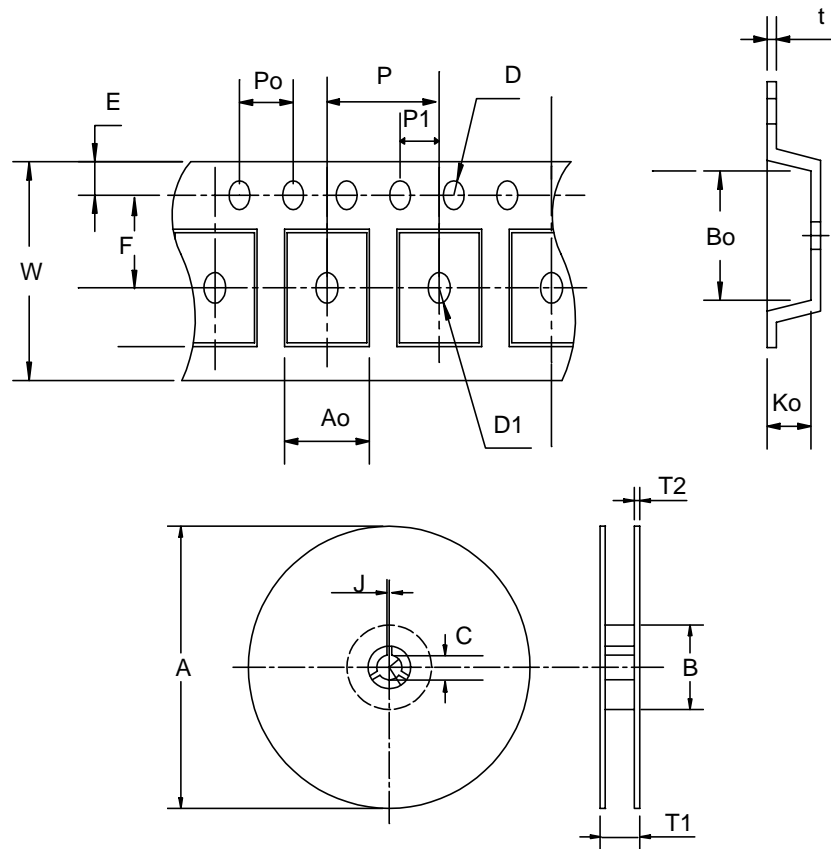
Package Reflow Conditions

pkg. thickness ≥ 2.5mm and all bags	pkg. thickness < 2.5mm and pkg. volume ≥ 350 mm ³	pkg. thickness < 2.5mm and pkg. volume < 350mm ³
Convection 220 +5/-0 °C		Convection 235 +5/-0 °C
VPR 215-219 °C		VPR 235 +5/-0 °C
IR/Convection 220 +5/-0 °C		IR/Convection 235 +5/-0 °C

Reliability test program

Test item	Method	Description
SOLDERABILITY	MIL-STD-883D-2003	245°C , 5 SEC
HOLT	MIL-STD-883D-1005.7	1000 Hrs Bias @ 125 °C
PCT	JESD-22-B, A102	168 Hrs, 100 % RH , 121°C
TST	MIL-STD-883D-1011.9	-65°C ~ 150°C, 200 Cycles
ESD	MIL-STD-883D-3015.7	VHBM > 2KV, VMM > 200V
Latch-Up	JESD 78	10ms , I _r > 100mA

Tape & Reel Dimensions



Application	A	B	C	J	T1	T2	W	P	E
SOP- 28	330±1	62 ±1.5	12.75 ± 0.5	2 ± 0.6	24.4 ± 0.2	2± 0.2	24 ± 0.3	12 ± 0.1	1.75± 0.1
Application	F	D	D1	Po	P1	Ao	Bo	Ko	t
SOP- 28	11.5 ± 0.1	1.5 + 0.1	1.5+ 0.25	4.0 ± 0.1	2.0 ± 0.1	10.85 ± 0.1	18.34± 0.1	2.97± 0.1	0.35±0.01

Cover Tape Dimensions

Carrier Width	24
Cover Tape Width	21.3

Customer Service

Anpec Electronics Corp.

Head Office :

5F, No. 2 Li-Hsin Road, SBIP,

Hsin-Chu, Taiwan, R.O.C.

Tel : 886-3-5642000

Fax : 886-3-5642050

Taipei Branch :

7F, No. 137, Lane 235, Pac Chiao Rd.,

Hsin Tien City, Taipei Hsien, Taiwan, R. O. C.

Tel : 886-2-89191368

Fax : 886-2-89191369