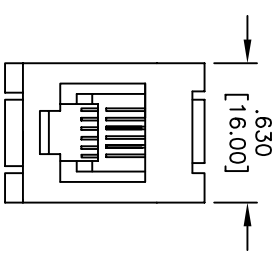
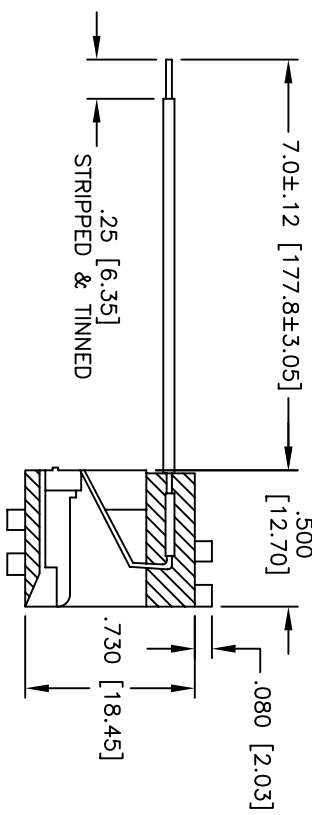
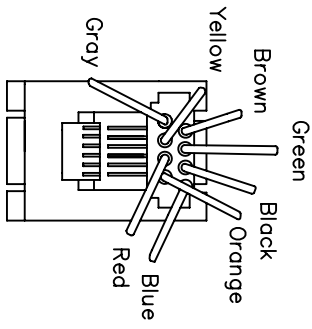


Rev	AWO #	Description	Date	Appr
-		RELEASED	01/12/06	

APPROVED: \_\_\_\_\_  
 DATE: \_\_\_\_\_ TITLE: \_\_\_\_\_



X	PLATING
0	15 μ" Gold
1	30 μ" Gold
2	50 μ" Gold

**SPECIFICATIONS:**

Material: Insulator: ABS, rated UL 94V-0  
 Insulator color: Black  
 Contacts: Phosphor Bronze  
 Wires: 26 AWG, Stranded, PVC insulated  
 Plating: Gold over Nickel underplate on mating area.  
 (See chart for thickness)  
 Electrical:  
 Operating voltage: 150 VAC max.  
 Current rating: 1.5 Amps max.  
 Contact resistance: 20 mohms max. initial  
 Insulation resistance: 500 Mohms min.  
 Dielectric withstanding voltage: 1,000 VAC for 1 minute  
 Temperature Rating:  
 Operating temperature: -40°C to +125°C  
 Environmental:  
 Lead free, RoHS compliant

**ADAM TECH**

909 Railway Avenue, Union, NJ 07083  
 Phone: 908-687-5000 Fax: 908-687-5710

**WIRE LEADED TELEPHONE JACK, 26 AWG,  
 7" LEADS, .25 [6.35] STRIPPED & TINNED**

UNLESS OTHERWISE SPECIFIED ALL DIMENSIONS ARE INCHES [MM]	
TOLERANCES: EXCEPT AS NOTED	HOLDS
.X ± .10	ØX ± .10
.XX ± .020	ØXXX ± .015
.XXX ± .015	ØXXX ± .010
APPROVALS	DATE
DRAWN SS	01/12/06
CHECKED	
APPROVED	

TITLE	SIZE	PART NO.	REV.
WIRE LEADED TELEPHONE JACK, 26 AWG, 7" LEADS, .25 [6.35] STRIPPED & TINNED	X	MTJP-041-XA1-1	-
REF:	SCALE:	NTS	SHEET 1 OF 1

6 5 4 3 2 1