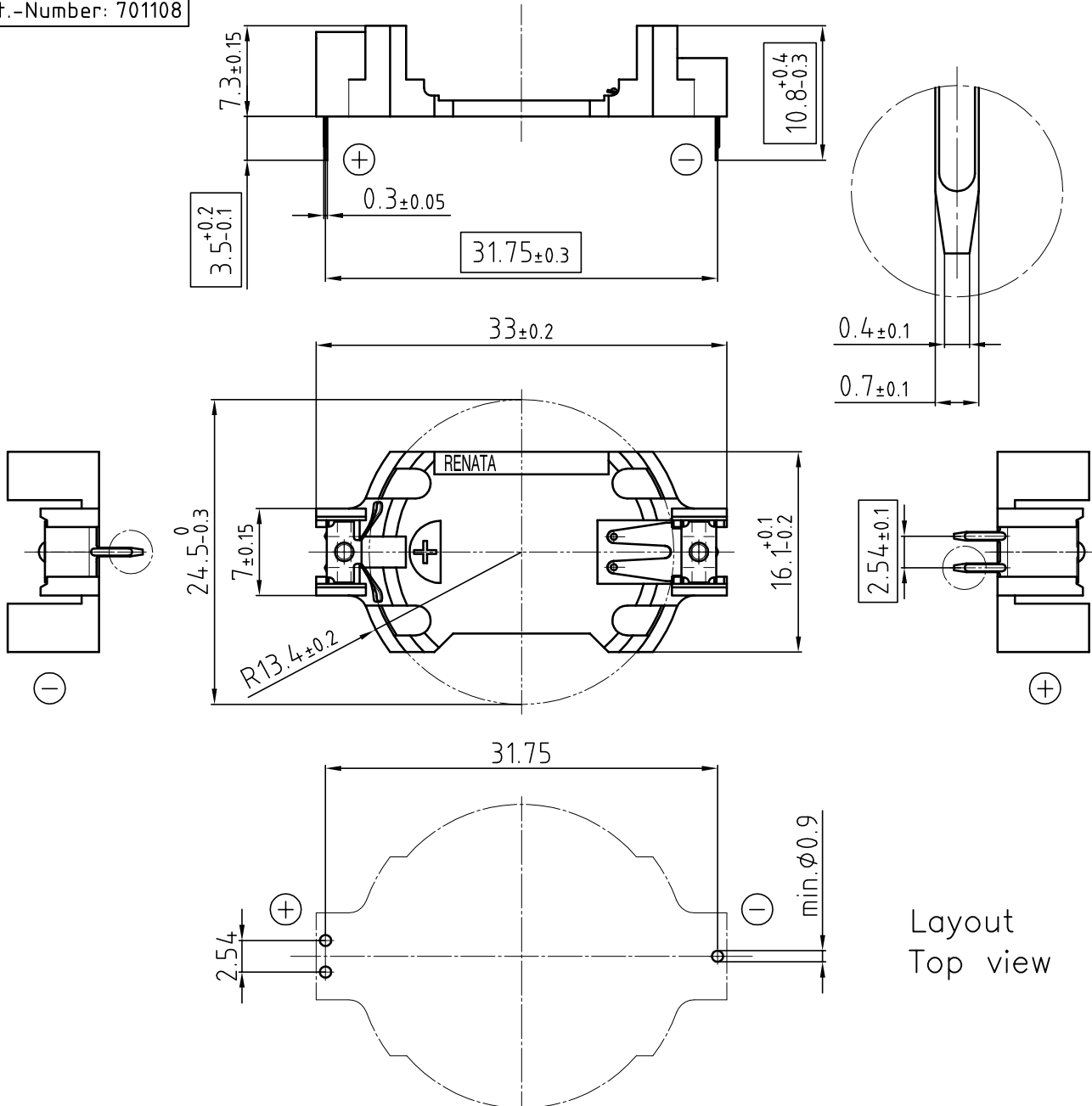


Art.-Number: 701108

Samples can deviate in the execution from the serie.



Dimensions and tolerances can be specified only after the testing of the devices for the mass production definitely

- Holder material : heat resistant, glass-fiber reinforced LCP
- Battery contacts : spring stainless steel 301 nickel plated throughout
- Solder contacts : spring stainless steel 301 solder area tin-plated throughout, min. thickness 5µm

All framed values will be used for dimension checking !

Rev.	①	10.09.07	MCI	Rev.	○			Customer's Approval		
Rev.	②	18.09.10	Wu Ping	Rev.	○			Date		
Rev.	○			Rev.	○			Signature		
Titel:							Scale 2:1	Drawn	21.01.05	SRi
HU2450N-LF								Checked	23.09.10	SRi
								Approved		
				CH-4452 Itingen Switzerland			3.8753.4-2			