

THIS DRAWING IS UNPUBLISHED. RELEASED FOR PUBLICATION
 © COPYRIGHT BY TYCO ELECTRONICS CORPORATION. ALL INTERNATIONAL RIGHTS RESERVED.

LOC		DIST		REVISIONS					
AD		00		P	LTR	DESCRIPTION	DATE	DWN	APVD
				A1		REVISED PER ECO-10-000290	07JAN11	HMR	MW

SPECIFICATIONS:

MATERIALS:

MOVING CONTACT: COPPER ALLOY, GOLD PLATE OVER SILVER CLAD.
 FIXED CONTACT: COPPER ALLOY, GOLD PLATE OVER SILVER CLAD.

ELECTRICAL:

CONTACT RATING: 0.4VA @ 20VDC OR PEAK AC.
 5 AMPS @ 250VAC OR 24VDC (RESISTIVE).
 INITIAL CONTACT RESISTANCE: 20 MILLIOHMS MAX.
 INSULATION RESISTANCE: 100 MEGOHMS MINIMUM.
 DIELECTRIC STRENGTH: 1500 VOLTS RMS @ SEA LEVEL.
 LIFE EXPECTANCY: 100,000 CYCLES.

ENVIRONMENTAL:

OPERATING TEMPERATURE: -4°F TO +122°F (-20°C TO +50°C)
 STORAGE TEMPERATURE: -4°F TO +122°F (-20°C TO +50°C)

- INTERPRET DRAWING PER ASME Y14.5M-1994.
- OILTIGHT MODELS MEET NEMA 1, 12, 13 REQUIREMENTS.
- UL RECOGNIZED E-51302.
- PANEL THICKNESS: NON-OILTIGHT = 0.230 MAX.
OILTIGHT = 0.210 MAX.

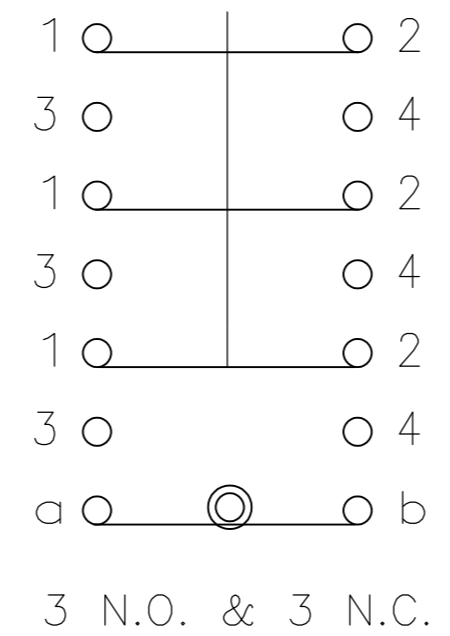
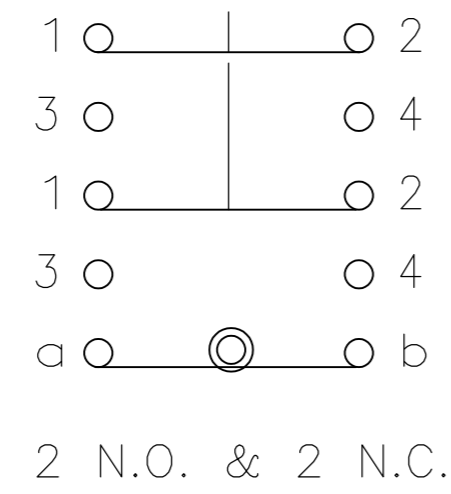
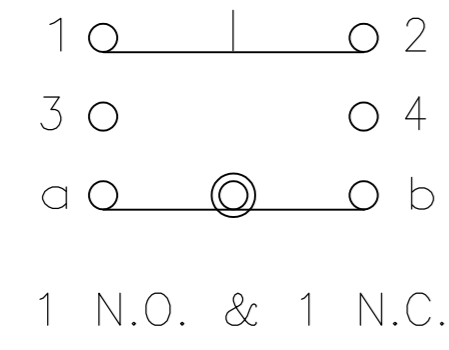
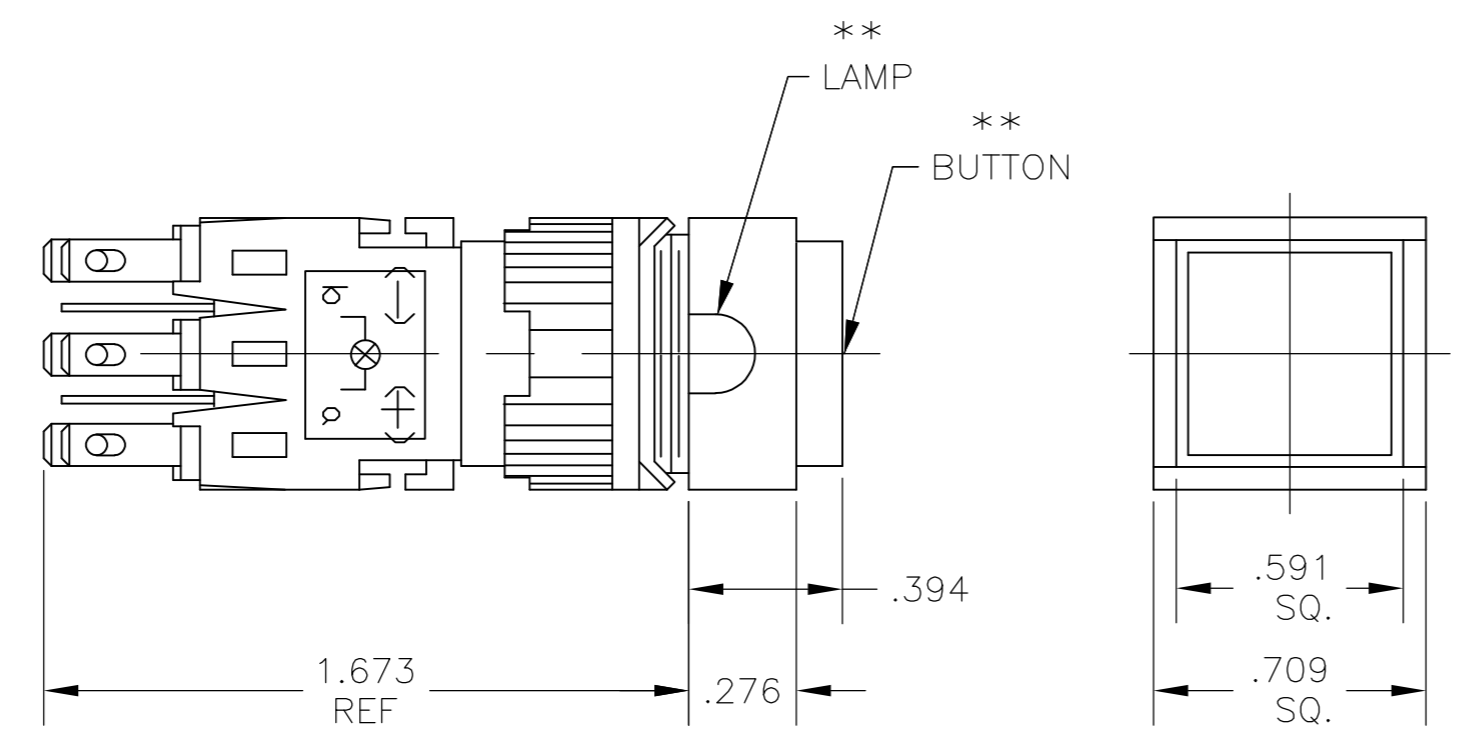
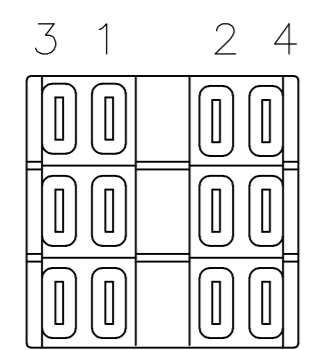


THE PLATINGS CONTAINED IN THIS PART SHALL CONTAIN NO LEAD.

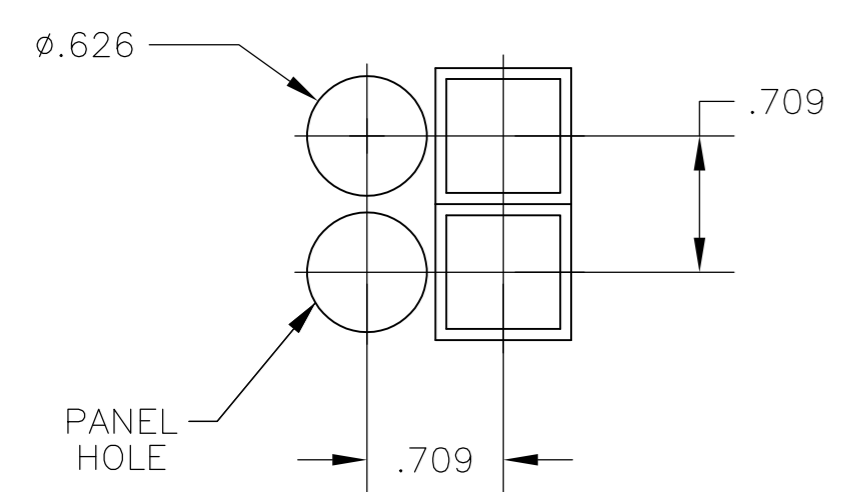


PRELIMINARY PART, NOT RELEASED FOR PRODUCTION.

** ORDER BUTTON AND LAMP SEPARATELY: SEE
 DWG NO'S 80810 & 80811



CONTACT DIAGRAM
 (BUTTON NOT DEPRESSED)



PANEL CUTOUT
 SCALE: 1/1
 TOLERANCE +/- .002

1571544-5	165SL533		5	6	3 N.O. & N.C.	PUSH ON/PUSH OFF
1571544-4	164SL522		5	6	2 N.O. & N.C.	PUSH ON/PUSH OFF
1571544-3	164SL511		5	6	1 N.O. & N.C.	PUSH ON/PUSH OFF
1571544-2	164SL22		5	6	2 N.O. & N.C.	MOMENTARY
1571544-1	164SL11		5	6	1 N.O. & N.C.	MOMENTARY
	165SL533				3 N.O. & N.C.	PUSH ON/PUSH OFF
5-1437569-2	165SL522				2 N.O. & N.C.	PUSH ON/PUSH OFF
5-1437569-1	165SL511				1 N.O. & N.C.	PUSH ON/PUSH OFF
	165SL33				3 N.O. & N.C.	MOMENTARY
5-1437569-0	165SL22				2 N.O. & N.C.	MOMENTARY
4-1437569-9	165SL11				1 N.O. & N.C.	MOMENTARY
3-1437569-1	164SL533				3 N.O. & N.C.	PUSH ON/PUSH OFF
3-1437569-0	164SL522				2 N.O. & N.C.	PUSH ON/PUSH OFF
2-1437569-9	164SL511				1 N.O. & N.C.	PUSH ON/PUSH OFF
2-1437569-8	164SL5				-	PUSH ON/PUSH OFF
2-1437569-7	164SL33				3 N.O. & N.C.	MOMENTARY
2-1437569-6	164SL22				2 N.O. & N.C.	MOMENTARY
2-1437569-5	164SL11				1 N.O. & N.C.	MOMENTARY
2-1437569-4	164SL				-	MOMENTARY

TE PART No.	MODEL NON OILTIGHT	MODEL OILTIGHT	COMMENTS	CONTACTS	ACTION
-------------	--------------------	----------------	----------	----------	--------

THIS DRAWING IS A CONTROLLED DOCUMENT.

DWN LM	3-21-89	Tyco Electronics Corporation Harrisburg, PA 17105-3608
CHK CF	3-22-89	
APVD TH	3-21-89	
PRODUCT SPEC		
DIMENSIONS: INCHES TOLERANCES UNLESS OTHERWISE SPECIFIED: 0 PLC ± - 1 PLC ± - 2 PLC ± - 3 PLC ± .010 4 PLC ± - ANGLES ± - FINISH		NAME: 164/165 SL DERIES ILLUMINATED PUSHBUTTON SIZE: A2 CAGE CODE: 00779 DRAWING NO: 2-1437569-9 RESTRICTED TO: - WEIGHT: - CUSTOMER DRAWING SCALE: 1:1 SHEET: 1 OF 1 REV: A1

REF AUGAT 80864